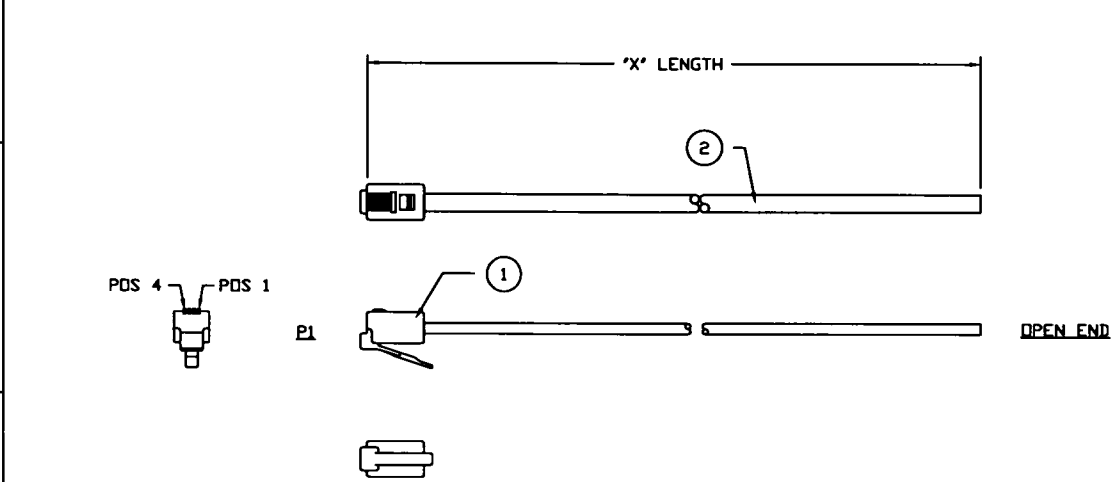


THESE DRAWINGS AND SPECIFICATIONS ARE THE SOLE PROPERTY OF I/D INTERCONNECT INC. U.S.A. AND SHALL NOT BE REPRODUCED, COPIED, OR USED IN ANY MANNER WITHOUT THE PRIOR WRITTEN CONSENT OF I/D INTERCONNECT INC. OR ITS AFFILIATED SUBSIDIARIES.

DWG. NO.	ZONE	REV.	DESCRIPTION	DATE	APPROVED
XX4-520-D		C	ECN C285	08/21/01	K.C.
		D	ADD NOTE & CHANGE P/N TO ROHS COMPLIANT PER ECN D828	04/22/05	M.G.



WIRE DIAGRAM

	PI	OPEN END
1	BLACK	
2	RED	
3	GREEN	
4	YELLOW	

NOTES: UNLESS OTHERWISE SPECIFIED.

1. CABLE TO BE BUNDLED AND TWIST TIED.
2. TEST CABLE FOR ALL OPENS & SHORTS.
3. PACKAGE CABLE ASSEMBLY INDIVIDUALLY IN PLASTIC BAG. PACKAGE INDIVIDUAL BAG PER LOT NUMBER QUANTITIES.
4. MARK OUTSIDE OF SHIPPING BOX WITH DIGI-KEY PART NUMBER.
5. PLACE BAR CODE LABEL ON THE OUTSIDE OF EACH SHIPPING BOX LABEL DETAIL SEE DWG 090-990-001.
6. ALL METRICAL SHOULD BE ROHS COMPLIANT.

T.B.D.	GLF-444-254-520-D	25.0 FT ± 4.0 IN 7.62 M ± 101.6 MM
T.B.D.	GLF-444-144-520-D	14.0 FT ± 3.0 IN 4.27 M ± 76.2 MM
H3443-07-ND	GLF-444-074-520-D	7.0 FT ± 2.0 IN 2.13 M ± 50.8 MM
PART NUMBER DIGI-KEY	PART NUMBER I/D INTERCONNECT	LENGTH "X"

THIRD ANGLE PROJECTION

I/D INTERCONNECT
SANTA ANA, CALIFORNIA

UNLESS OTHERWISE NOTED:
1) DIMENSIONS ARE IN INCHES (MILLIMETER)
2) TOLERANCES:
XXX ± 0.25 (6.35)

REV. 01	DATE	BY	CHKD	TITLE: 4P4C MODULAR TO OPEN END SILVER SATIN, CABLE ASSEMBLY P/N H3443-XX-ND
REV. 02				PART NO: GLF-444-XX4-520-D
REV. 03				DWG NO: GLF-444-XX4-520-D
REV. 04				CUSTOMER: DIGI-KEY
REV. 05				SCALE: NONE

REV. D
SHEET 1 OF 1

ITEM	QTY	MFG.	IOI PART NO.	DESCRIPTION
2	"X"	IOI	GLF-120-410-000	MODULAR CABLE, 26 AWG (7/34) BARE COPPER, 4 CONDUCTOR, UNSHIELDED, SILVER SATIN PVC. ROHS COMPLIANT.
1	1 PC	IOI	GLF-325-441-50X	CONNECTOR, MODULAR PLUG, 4 POSITION, 4 CONDUCTOR, 50u" Au, FLAT TYPE EXIT. ROHS COMPLIANT.

CABLE ASSEMBLY PARTS LIST