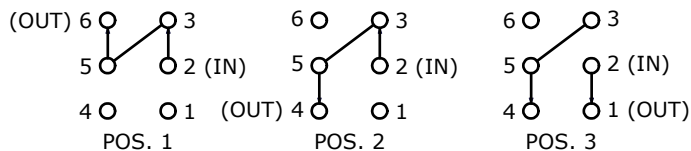
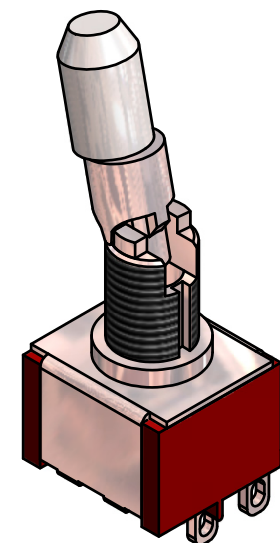
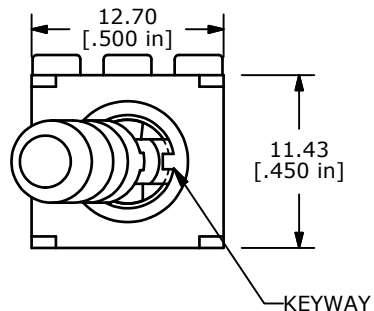
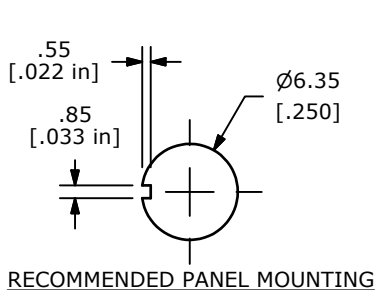


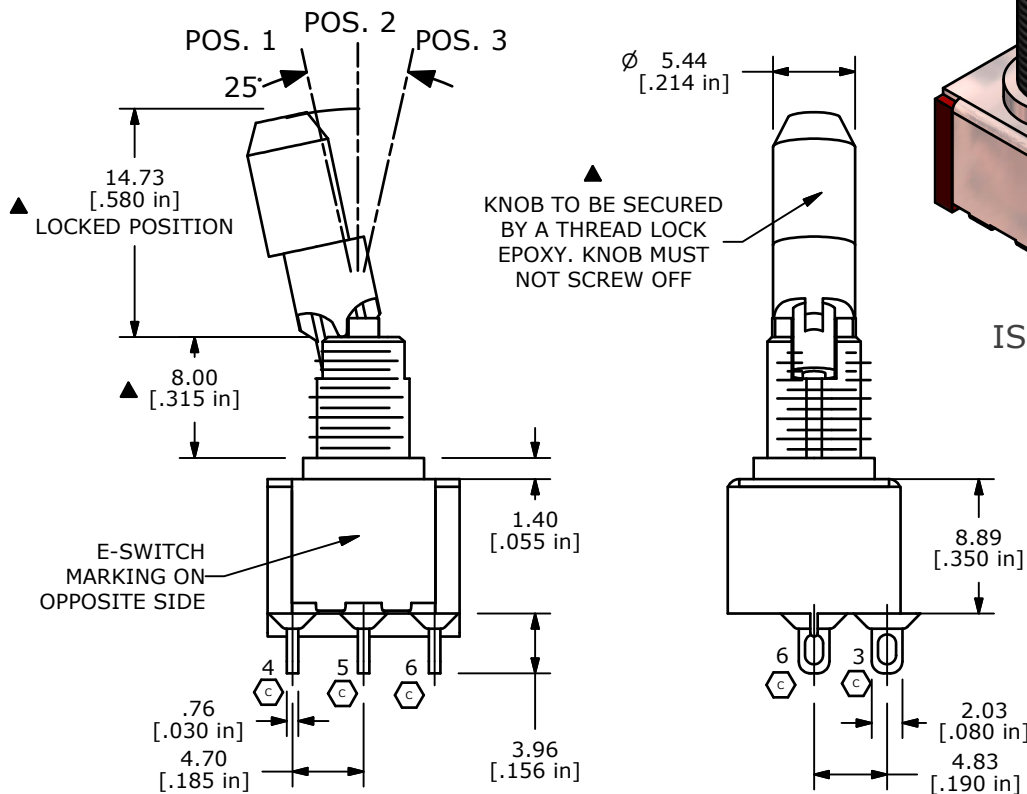
SWITCH FUNCTION		
POS. 1	POS. 2	POS. 3
ON	ON	ON
2-3,5-6	2-3, 5-4	2-1, 5-4



DPDT 3 WAY CIRCUIT  
NOTE: JUMPER PIN 3 TO 5

NOTE:

1. ALL DIMENSIONS IN MM [INCH]
2. GENERAL TOLERANCE: X.X=±0.4  
X.XX=±0.25
3. TERMINAL NUMBERS FOR REF ONLY
- ▲ 4. PLATING MATERIAL: SILVER
5. RATING: 2 AMPS @250VAC  
5 AMPS @120VAC OR 28VDC
6. ELECTRIC LIFE: 40,000 make-and-break cycles at full load.
7. INSULATION RESISTANCE: 1,000 Mega-ohm min.
8. DIELECTRIC STRENGTH: 1,000 V RMS @sea level.
9. OPERATING TEMP.: -30°C to 85°C
10. ▲ DENOTES CRITICAL PARAMETER.
11. 2002/95/EC (ROHS) COMPLIANT



C	21635	CORRECTED TERM NUMBERS	10/15/14	AS
B	16481	SWITCH/CIRCUIT FUNCTION CHANGE	9/21/2006	AS
A	16197	RELEASED FOR PRODUCTION	7/3/06	AS
REV	PCR NO	DESCRIPTION	DATE	BY

THE INFORMATION CONTAINED IN THIS DOCUMENT IS PROPRIETARY TO E-SWITCH AND IS NOT TO BE COPIED OR TRANSFERRED



TITLE 100DP6K2B25M1QE				
SCALE 2:1	DATE 7/3/2006	DR AS	DWG T116007	REV C