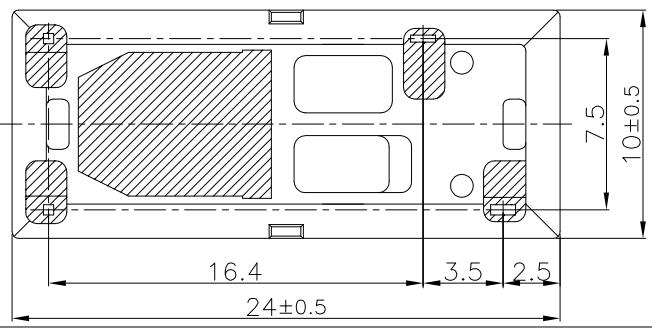
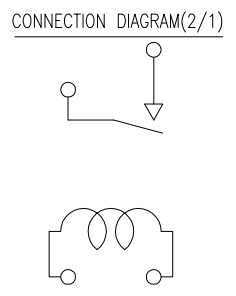
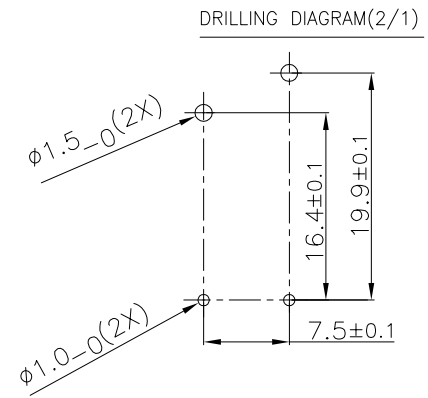
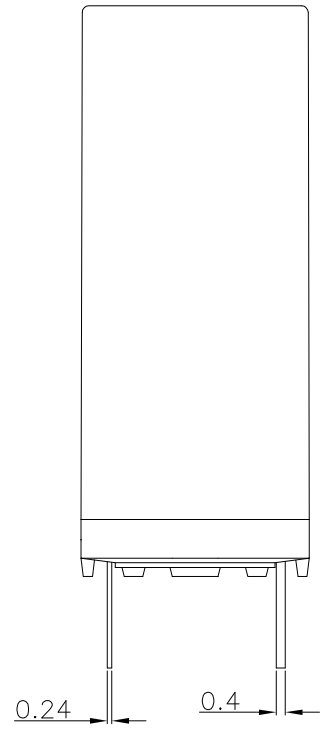
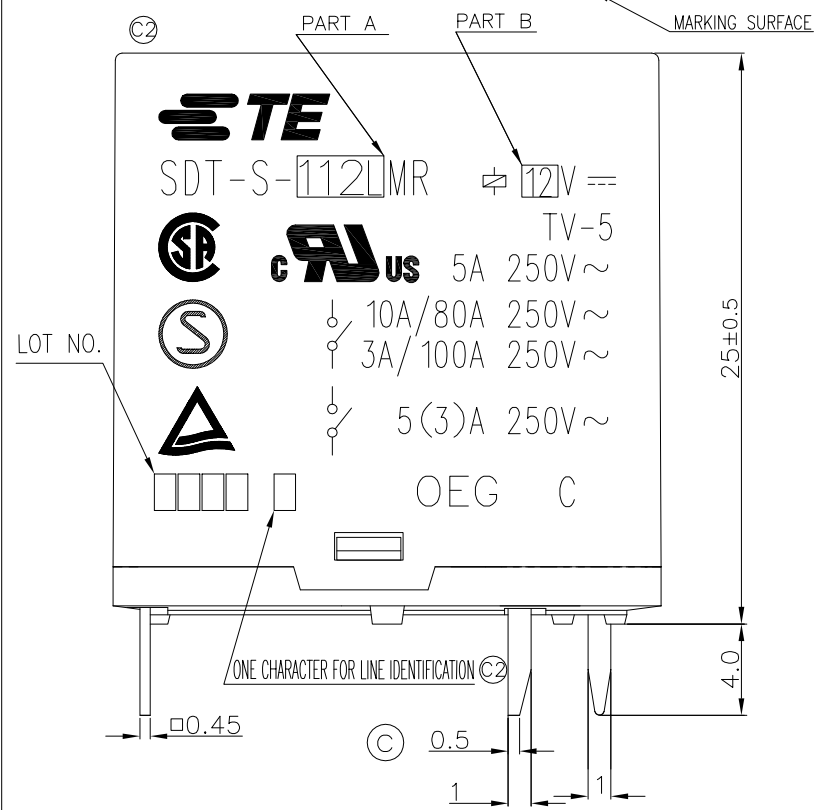
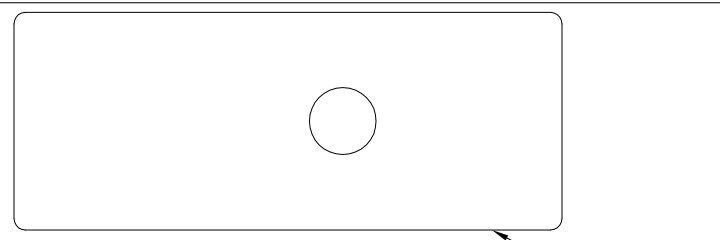


LOC	DIST	REVISIONS					
		P	LTR	DESCRIPTION	DATE	DWN	APVD
HB			C1	REVISED PER ECO-11-005140	29MAR11	RK	HMR
			C2	1.CHANGE TELOGO2.ADD LINE IDENTIFICATION3.TERMINALS TOLERANCE CLARIFICATION ECO-12-005305	03-APR-12	YS.H	BH.Y



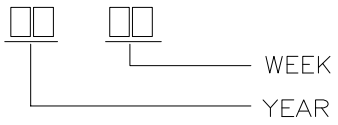
DIMENSIONS: mm		TOLERANCES UNLESS OTHERWISE SPECIFIED: 0 PLC ± 1 PLC ± 2 PLC ± 3 PLC ± 4 PLC ±		DWN M.INNAMI	TE Connectivity			
MATERIAL SEE MATERIAL TABLE		FINISH -		CHK T.FUKAYA				
				APVD K.NARA	SDT-S-1**LMR CUSTOMER DRAWING			
				PRODUCT SPEC -	SIZE A3	CAGE CODE 00779	DRAWING NO 7-1419125-9	RESTRICTED TO
				APPLICATION SPEC -	SCALE 4:1		SHEET 1 OF 2	REV C2
				WEIGHT -	CUSTOMER DRAWING			

LOC	DIST	REVISIONS						
		P	LTR	DESCRIPTION	ECN	DATE	DWN	APVD
HB								

3-1419153-8	SDT-S-112LMR	SDT-S-112LMR	12V	g
1419126-2	SDT-S-124LMR	SDT-S-124LMR	24V	f
9-1419125-9	SDT-S-112LMR	SDT-S-112LMR	12V	e
9-1419125-2	SDT-S-109LMR	SDT-S-109LMR	9V	d
8-1419125-5	SDT-S-106LMR	SDT-S-106LMR	6V	c
8-1419125-1	SDT-S-105LMR	SDT-S-105LMR	5V	b
7-1419125-9	SDT-S-103LMR	SDT-S-103LMR	3V	a
PART NO	TYPE NAME	PART A	PART B	ITEM

RELAY TYPE (B)

NOTE:
 (C) 1. LOT NO. SYSTEM AS FOLLOWING:



(C2) 2. TERMINAL DIMENSION DOES NOT INCLUDE SOLDER TIP
 (C2) 3. FOR THE TIN-PLATING OF THE PINS: +0.1mm FOR WIDTH, THICKNESS AND DIAMETER
 +0.5mm FOR LENGTH

Diagram dimension	Tolerance
max. 1mm	±0.1mm
1 ~ 3mm	±0.2mm
min. 3mm	±0.3mm

		NYLON	CARD	14	
		EPOXY	SEALING RESIN	13	
		U.E.W	MAGNET WIRE	12	
94V-0		P.B.T	BOBBIN	11	
	SOLDER DIP	C.P WIRE	COIL TERMINAL	10	
94V-0		P.B.T	CASE	9	
		Ag ALLOY	STATIONARY CONTACT	8	
		Ag ALLOY	MOVABLE CONTACT	7	
		STAINLESS(SUS301)	HINGE SPRING	6	
	SOLDER DIP	Cu ALLOY	STATIONARY TERMINAL	5	
	SOLDER DIP	Cu ALLOY	MOVABLE SPRING	4	
		Ni PLATING	STEEL(SPCC)	CORE	3
		Ni PLATING	STEEL(SPCC)	ARMATURE BRACKET	2
		Ni PLATING	STEEL(SPCC)	FRAME BRACKET	1
INCOMBUSTIBILITY	TREATMENT	MATERIAL	DESCRIPTION	ITEM	

DIMENSIONS: mm 		TOLERANCES UNLESS OTHERWISE SPECIFIED: 0 PLC ± 1 PLC ± 2 PLC ± 3 PLC ± 4 PLC ±		DWN M.INNAMI CHK T.FUKAYA APVD K.NARA PRODUCT SPEC - APPLICATION SPEC - WEIGHT -						
MATERIAL SEE MATERIAL TABLE		FINISH -		NAME SDT-S-1**LMR CUSTOMER DRAWING		SIZE A3	CAGE CODE 00779	DRAWING NO 7-1419125-9	RESTRICTED TO	
CUSTOMER DRAWING						SCALE 4:1	SHEET 2 OF 2	REV C2		