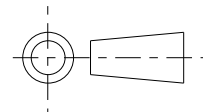


ISS.	DATE	E.C.N.	DESCRIPTION
3	15-Jan-07	1/07/1198	EJECTOR PIN CUTOUTS ENLARGED
3A	12-Oct-12	10/12/1350	CRITICAL VALUES ADDED

© 2011 CTP-COIL
ALL DIMENSIONS IN mm



CUSTOMER DRAWING



CARCLO TECHNICAL PLASTICS (SLOUGH)
103 BUCKINGHAM AVE, SLOUGH
SL1 4PF, ENGLAND
TEL: +44 1753 575011 FAX: +44 1753 811359
e-mail: design@carclo-optics.com

GENERAL TOLERANCES (UNLESS STATED)

LINEAR	ANGULAR
X +/- 0.25	X +/- 1°
X.X +/- 0.1	X.X +/- 0.5°
X.XX +/- 0.05	X.XX +/- 0.1°

CUSTOMER

CARCLO

TITLE

LED OPTIC 25 DEGREE

DRAWN

AJD

DATE

26-June-02

CHK'D

PW

DATE

12-Oct-12

APP'D

MH

DATE

12-Oct-12

SCALE

2:1

COIL PART No.

10003/25

SIZE

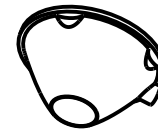
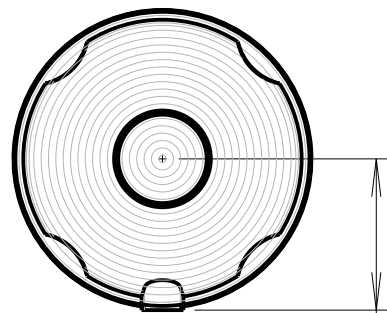
A4

COIL DRG. No.

60319

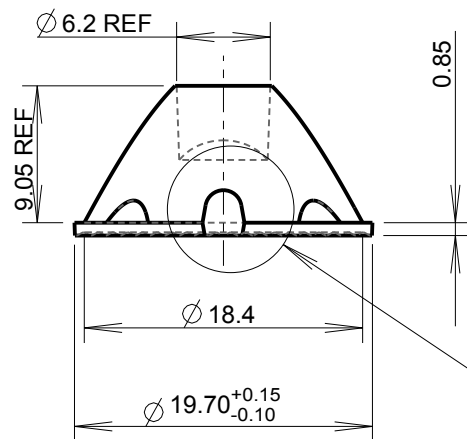
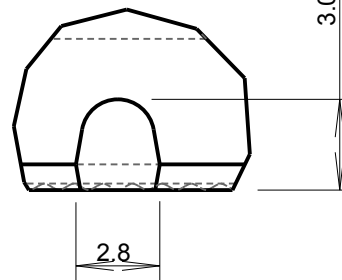
SHEET

2 OF 2



3D VIEW
SCALE 1:1

DETAIL A
SCALE 4:1



NOTES:-
1. MATERIAL: POLYCARBONATE