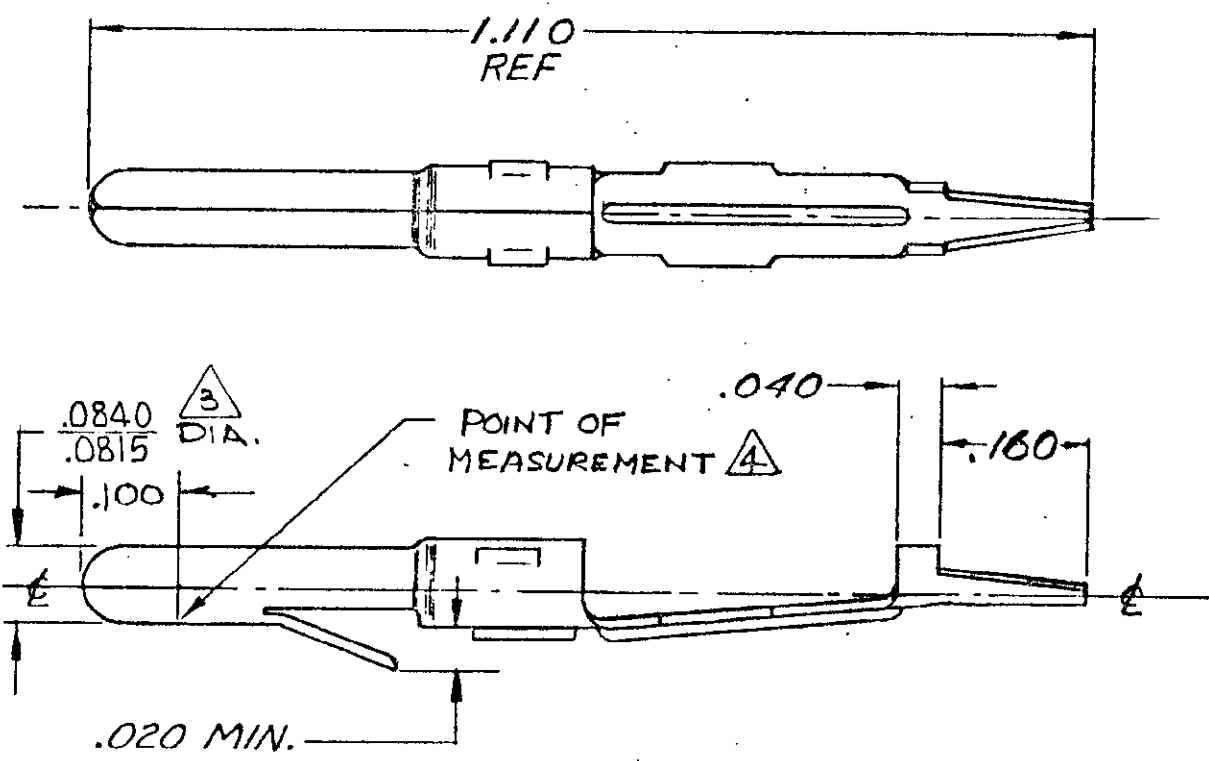


SHEET 1 OF 2
 NUMBER
 61518



1. TERMINAL SUPPLIED IN INDIVIDUAL FORM, NOT AS CONTINUOUS STRIP.
2. PARTS COMPLY WITH AMP SOLDERABILITY SPEC 109-11-3
- △3 .0815/.0845 DIA OVER .200 MIN. LENGTH.
- △4 .000030 GOLD OVER .000050 NICKEL.

PART NO.	MATERIAL & FINISH
61518-1.	.012 PHOS. BRZ PRE-TIN

DIMENSIONS IN INCHES. DO NOT SCALE PRINT.

©1969 BY AMP INCORPORATED, ALL RIGHTS RESERVED. AMP PRODUCTS COVERED BY PATENTS AND/OR PATENTS PENDING.

CUSTOMER COPY
REFERENCE ONLY

MATERIAL AND FINISH
SEE TABLE



AMP INCORPORATED
HARRISBURG, PENNA.

CLASS
TYPE

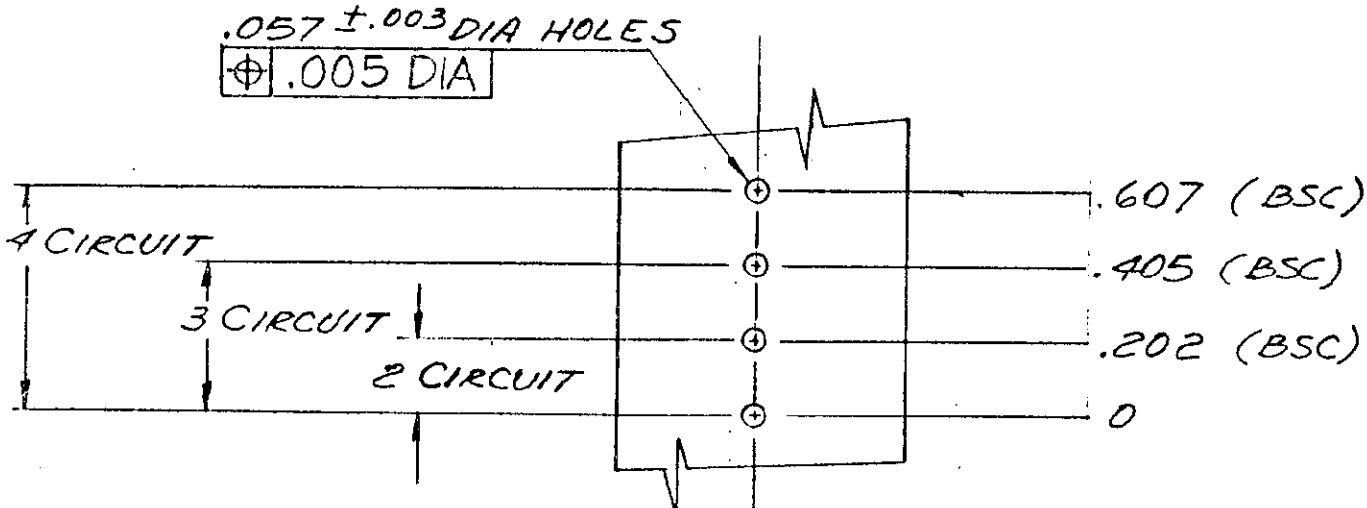
WIRE — RANGE — INSULATION
 — —

TOLERANCE EXCEPT AS NOTED ± .015 ± 1° 0' SCALE 5:1

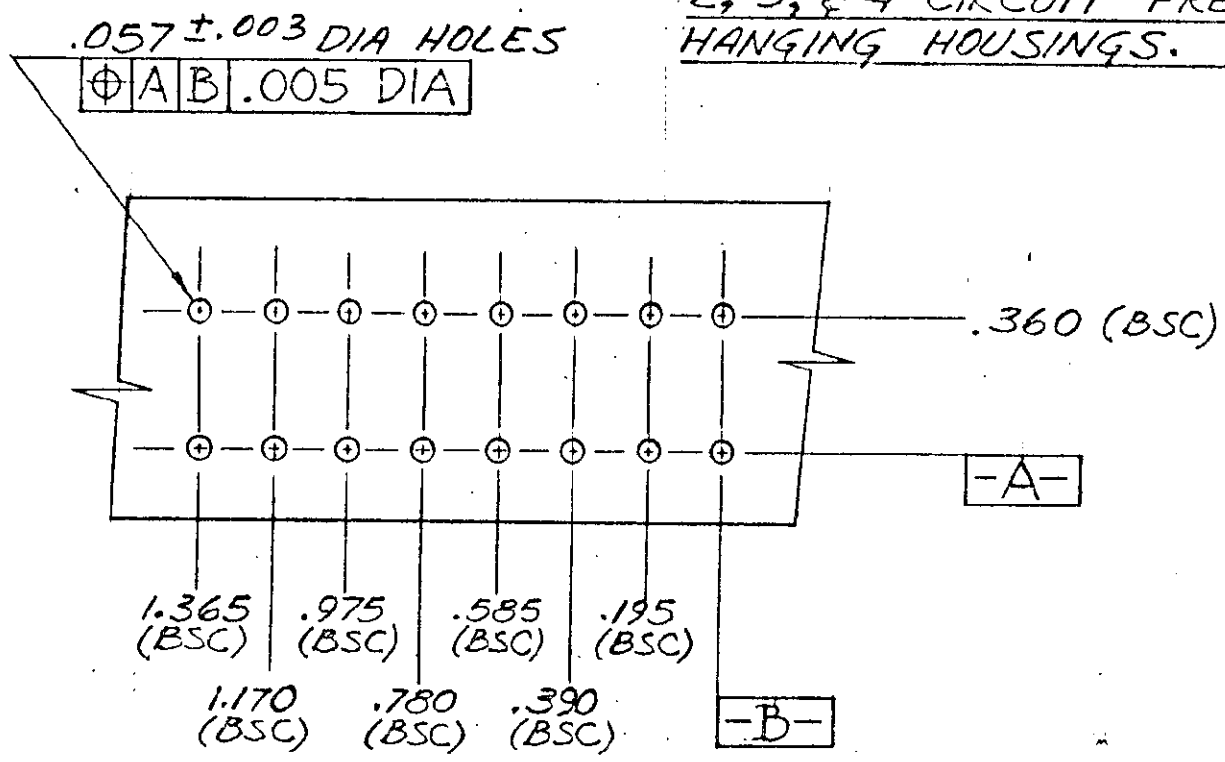
NAME **MATE-N-LOK PIN WITH P.C. BOARD TAB**

REV	PER	EC	0730-0142-94	RV	RS	3/15/69
TR	REVISION RECORD		ECN	DR	CHK	DATE
DR	JIM KUNKLE		DE			
CHK			APP			

SHEET 2 OF 2
 NUMBER
 61518



P.C. BOARD LAYOUT FOR 2, 3, & 4 CIRCUIT FREE-HANGING HOUSINGS.



P.C. BOARD LAYOUT FOR 6, 8, 10, 12, & 16 CIRCUIT MOTOR MOUNT HOUSINGS.

DIMENSIONS IN INCHES. DO NOT SCALE PRINT.

SEE SHEET 1				DATE: 6-2-70	DE:
				DR: JIM KUNKLE	APP:
				CHK:	APP:
				DATE: 6-9-70	APP:

©1970 BY AMP INCORPORATED. ALL RIGHTS RESERVED. AMP PRODUCTS COVERED BY PATENTS AND/OR PATENTS PENDING.

CUSTOMER COPY REFERENCE ONLY



AMP INCORPORATED
HARRISBURG, PENNA.

MATERIAL AND FINISH
#

CLASS #

WIRE — RANGE — INSULATION TYPE #

TYPE #

TOLERANCE EXCEPT SCALE LOC NO SHEET 2 OF 2 INCH
 ± .015 ± 1.0' C-1 CH 61518 IR
 NAME RECOMMENDED HOLE LOCATIONS FOR MOUNTING MATE-N-LOK HOUSINGS