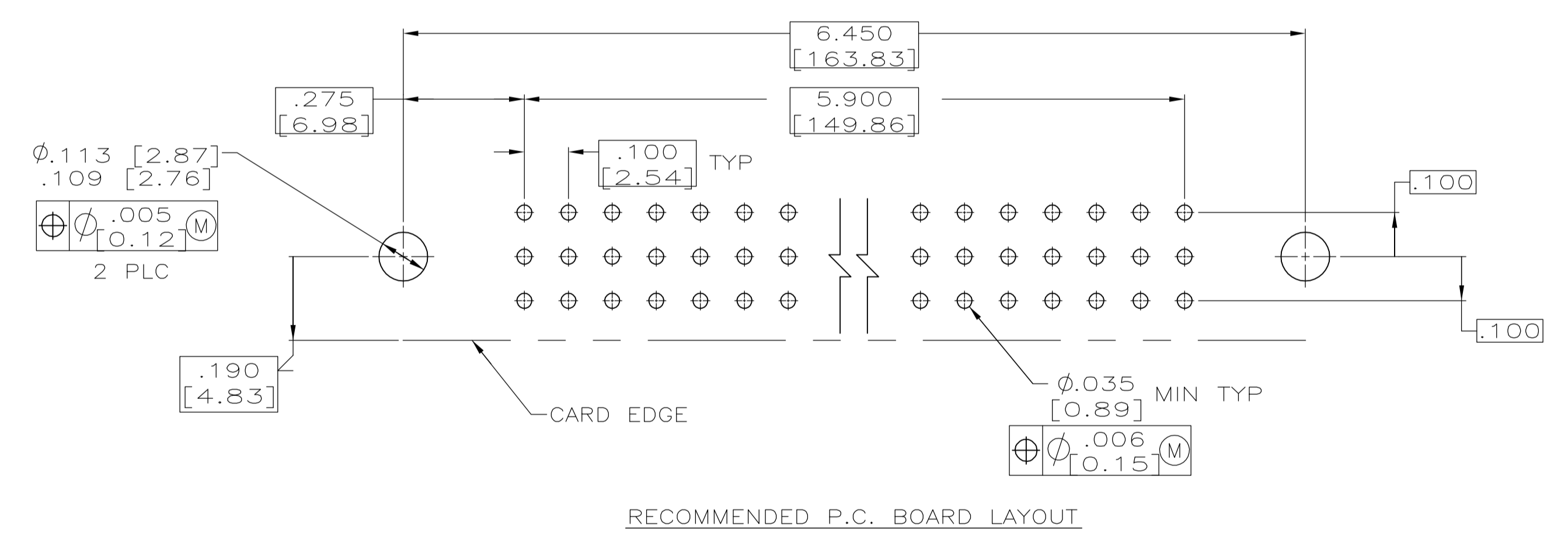
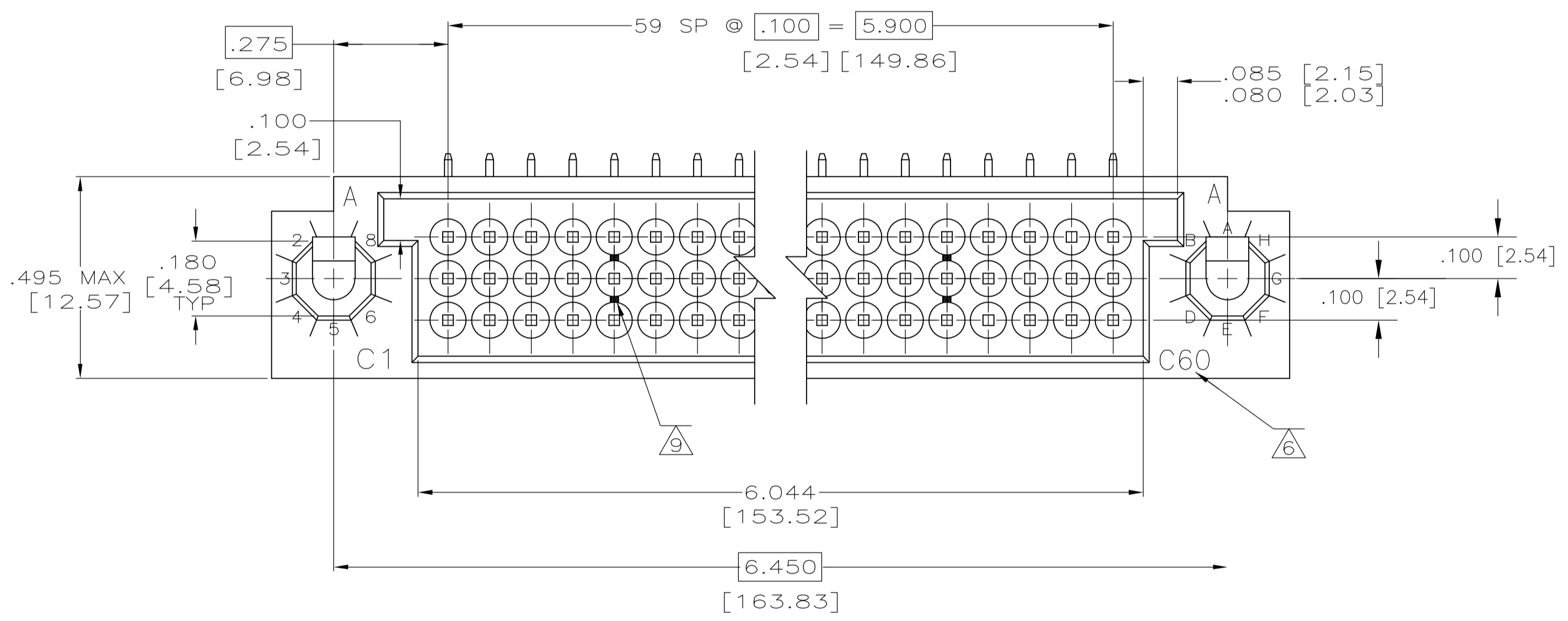
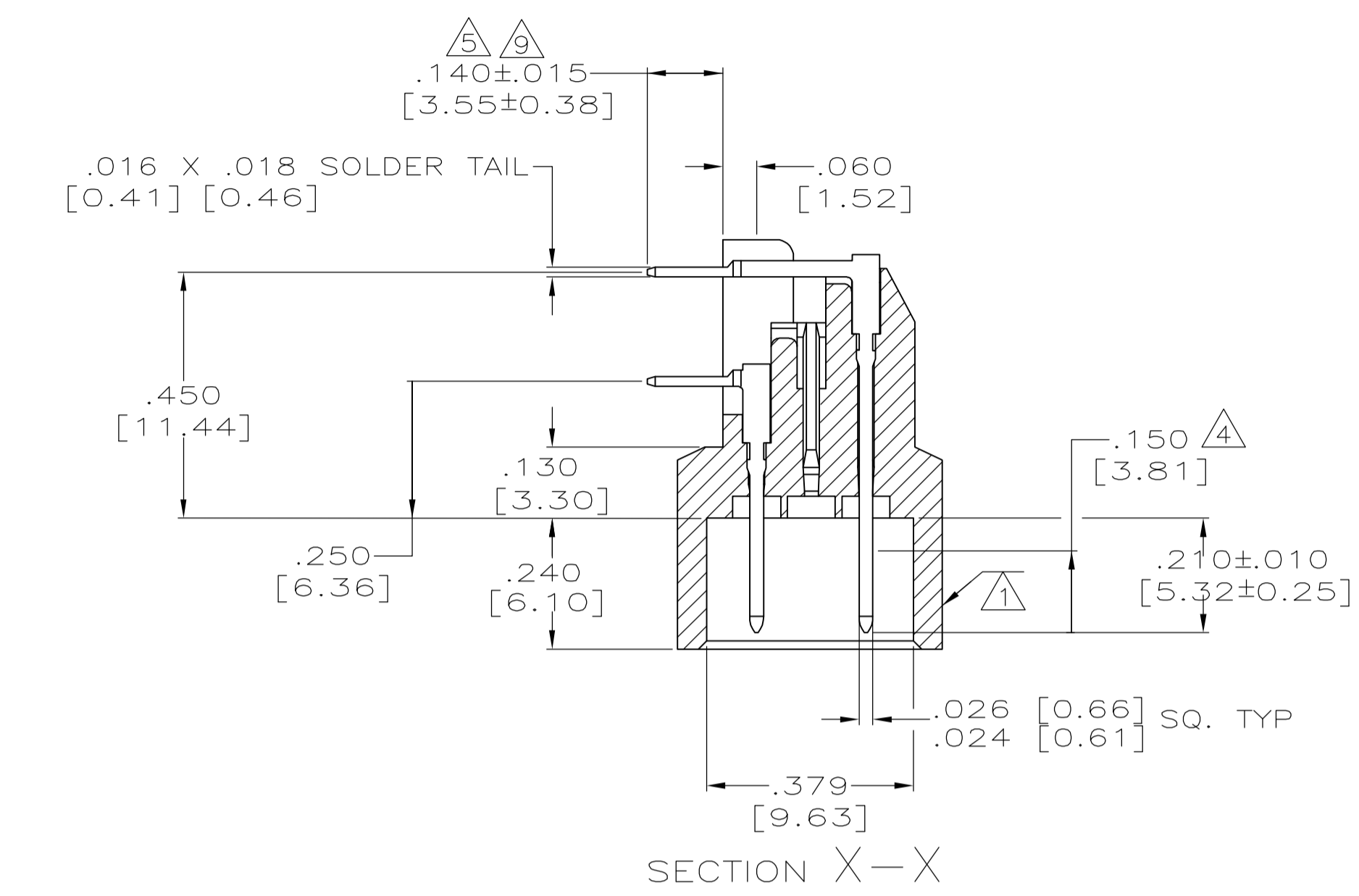
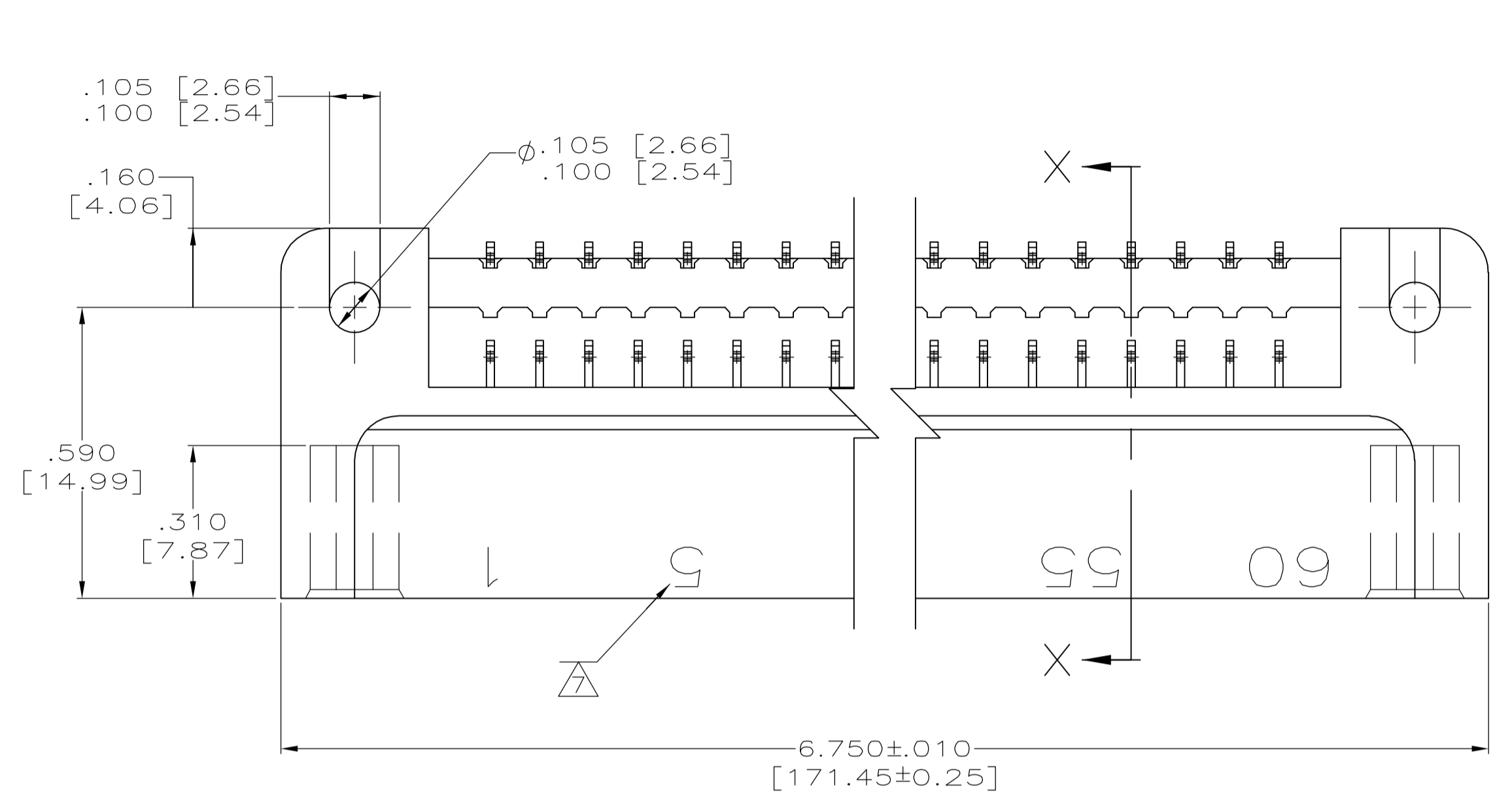


LOC		DIST		REVISIONS			
P	LTR	DESCRIPTION	DATE	DWN	APVD		
B		REV PER OH14-0207-05	12JAN06	PY	DM		



- ① CUSTOMER PART NO., 00779, DATE CODE, PART NO. AND AMP MARKED THIS SIDE.
- ② HOUSING MAT'L: POLYPHENYLENE SULFIDE, GST-40F PER MIL-M-24519.
- ③ CONTACT MAT'L: BRASS PER QQ-B-626.
- ④ CONTACT FINISH: .000030" [0.00127] GOLD OVER .000050" [0.00127] NICKEL IN CONTACT AREA.
- ⑤ CONTACT FINISH: .000100" [0.00254] TIN-LEAD OVER .000050" [0.00127] NICKEL
- ⑥ LETTERS INDICATING OUTSIDE ROWS AND NUMBERS INDICATING END CAVITIES (ROW C ONLY) MARKED THIS SURFACE.
- ⑦ NUMBERS INDICATING EVERY FIVE CAVITIES MARKED, BOTH SIDES.
- ⑧ LINES INDICATING EVERY FIVE CAVITIES MARKED ON MATING FACE EXCEPT END CAVITIES STARTING FROM POSN. #1.
- ⑨ CONTACT FINISH: .000100" [0.00254] TIN OVER .000050" [0.00127] NICKEL

—	120	180	5-448008-1
(774443-4)	120	180	448008-1
CUSTOMER P/N	NO. OF CONTACTS	NO. OF POSN	PART NO.

DIMENSIONS: INCHES		TOLERANCES UNLESS OTHERWISE SPECIFIED:		PRODUCT SPEC		APPLICATION SPEC		SIZE		CAGE CODE		DRAWING NO		RESTRICTED TO	
0 PLC	±	—	—	—	—	—	—	—	—	—	—	—	—	—	—
1 PLC	±	—	—	—	—	—	—	—	—	—	—	—	—	—	—
2 PLC	±	—	—	—	—	—	—	—	—	—	—	—	—	—	—
3 PLC	±	—	—	—	—	—	—	—	—	—	—	—	—	—	—
4 PLC	±	—	—	—	—	—	—	—	—	—	—	—	—	—	—
ANGLES	±	—	—	—	—	—	—	—	—	—	—	—	—	—	—
FINISH	±	—	—	—	—	—	—	—	—	—	—	—	—	—	—