



**MICRO SWITCH**

FREERPORT, ILLINOIS, U.S.A.  
A DIVISION OF HONEYWELL

FED. MFG. CODE 91929

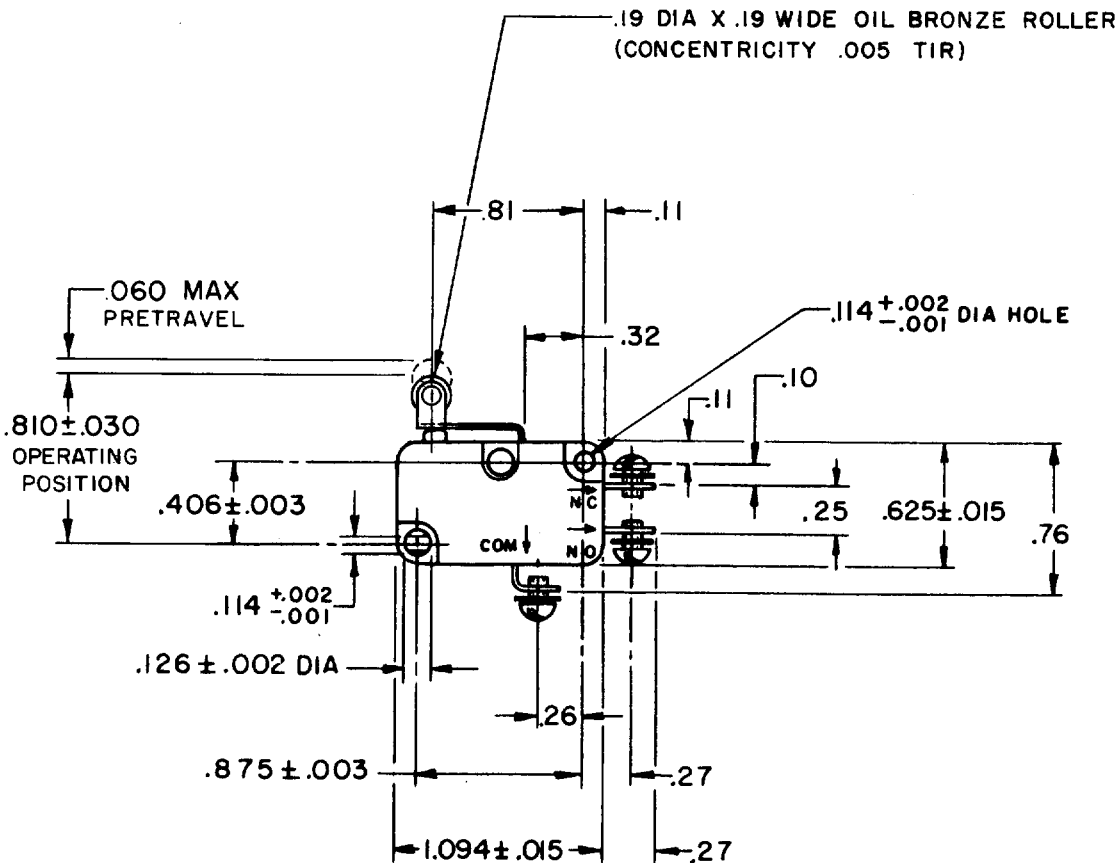
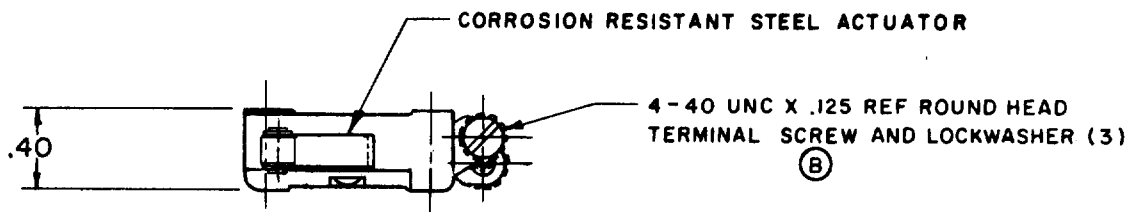
# SWITCH - BASIC

CATALOG LISTING

V3L-139

5

CQ-B3700



V3L-139

M

DRAWING NUMBER

9

ISSUE

2

RELEASE NO. SR-12775

REPLACES

CHECK

REVISIONS

A	SRI2775
D	W C
10	MAR 67
B	CO24941
M	B S
4	DEC 68
C	CO26075
M	B S
27	AUG 69
D	CO31748
L	S D
3	APR 73
E	CO-32396
K	P K
7	FEB 74
F	CO
59921	
SMA	
20	SEP 74
G	CO
76442	
D	C S
2	DEC 93

CHECK

LSD 10 MAR 67

CHECK

LSD 10 MAR 67

CHECK

LSD 10 MAR 67

CHECK

LSD 10 MAR 67

DRAWN

D W C

10 MAR 67

FO-50378

THIS DRAWING COVERS A PROPRIETARY ITEM AND IS THE PROPERTY OF MICRO SWITCH, A DIVISION OF HONEYWELL. THIS DRAWING IS NOT TO BE COPIED OR USED WITHOUT THE APPROVAL OF MICRO SWITCH.

### CHARACTERISTICS

OPERATING FORCE ----- 8 OZ MAX

RELEASE FORCE ----- 2 OZ MIN

DIFFERENTIAL TRAVEL ----- .016 MAX

OVERTRAVEL ----- .040 MIN

RELEASE TRAVEL ----- .007 MIN

### ELECTRICAL DATA

CONTACT ARRANGEMENT  
S P D T

- L156 - 11A-1/3HP-125-250-277 VAC  
1/2A-125 VDC; 1/4A-250 VDC  
4A-125 VAC "L"



### SCALE FULL

DO NOT SCALE PRINT

UNLESS OTHERWISE NOTED

DIMENSIONS ARE IN INCHES

### TOLERANCES ARE:

ONE PLACE	(.0)	$\pm$ .030
TWO PLACE	(.00)	$\pm$ .015
THREE PLACE	(.000)	$\pm$ .005
ANGLES		$\pm$

WEIGHT