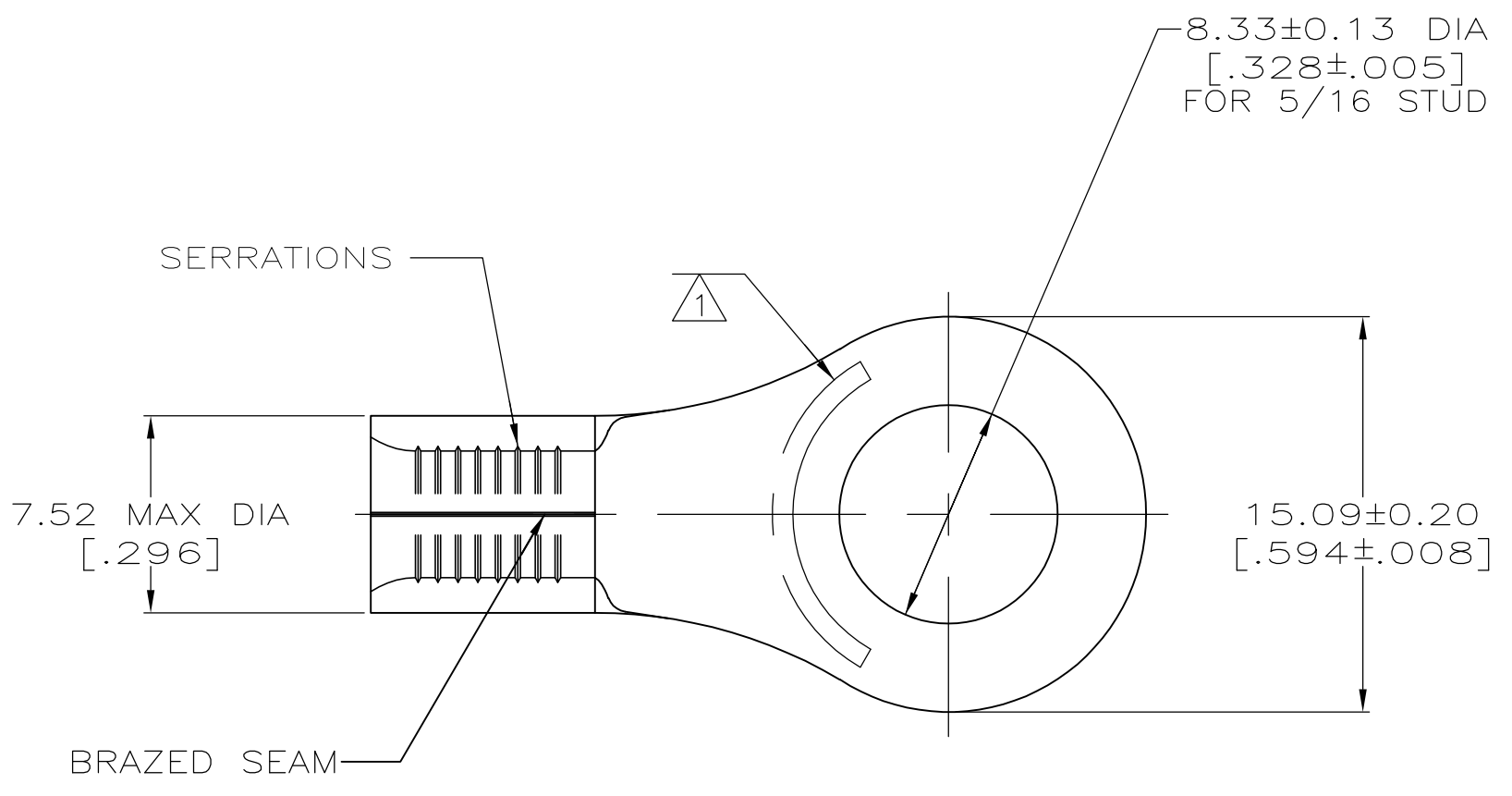
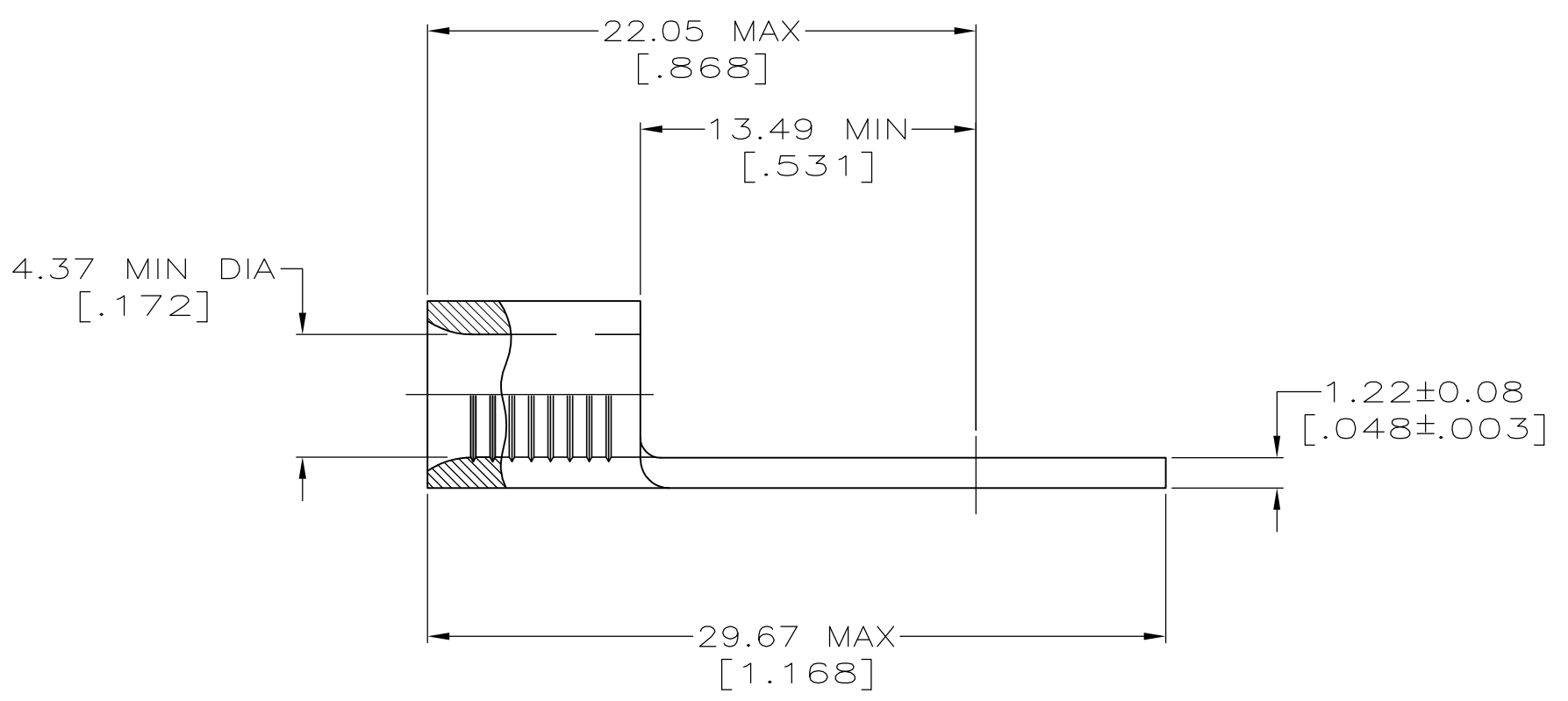


**METRIC**  
 DIMENSIONS LISTED IN mm [ INCHES ]



<b>AMP</b> WIRE RANGE	E13288 Listed
8 AWG SOLID OR STRANDED	8 AWG STRANDED
LR7189 Certified	MILITARY P/N AND CLASS
8 AWG SOLID OR STRANDED	NOT APPLICABLE

STAMP AMP 8\* APPROX AS SHOWN



<b>AMP INCORPORATED CUSTOMER SERVICE SYSTEMS</b>		MAX RECOMMENDED OPERATING TEMPERATURE: 170° C MAX
FOR ADDITIONAL PRODUCT INFORMATION OR COPIES OF DRAWINGS AND TECHNICAL DOCUMENTS	PRODUCT INFORMATION CENTER 1-800-522-6752	VOLTAGE RATING: NOT APPLICABLE
FOR APPLICATION TOOLING INFORMATION	TOOLING ASSISTANCE CENTER 1-800-722-1111	WIRE CROSS SECTIONAL AREA RANGE: 6.64-10.5mm <sup>2</sup> [13,100-20,800] CIR MILS SOLID OR STRANDED
FOR ORDER ENTRY	1-800-526-5142	THIS DRAWING IS A CONTROLLED DOCUMENT FOR AMP INCORPORATED. IT IS SUBJECT TO CHANGE AND THE CONTROLLING ENGINEERING ORGANIZATION SHOULD BE CONTACTED FOR THE LATEST REVISION.

SUPERSEDED BY 8-33462-1	-25	LOOSE PIECE, BAG	8-33462-5
	100	LOOSE PIECE, BOX	8-33462-1
	1500	MOUNTED ON TAPE, REEL	2-33462-1
	1000	LOOSE PIECE, BOX	33462-1
	-	LOOSE PIECE	33462
QTY		PACKAGE TYPE	PART NO

THIS DRAWING IS A CONTROLLED DOCUMENT.		DWN TA BRINKMAN 3-24-93	TE Connectivity
DIMENSIONS: mm [INCHES]		CHK DA PATTERSON 3-24-93	
TOLERANCES UNLESS OTHERWISE SPECIFIED:		APVD DE MILLER 3-24-93	NAME TERMINAL, RING TONGUE, SOLISTRAND TM
0 PLC ± - 1 PLC ± - 2 PLC ± - 3 PLC ± - 4 PLC ± - ANGLES ± ± -		PRODUCT SPEC -	SIZE A2
MATERIAL COPPER PER ASTM B-152 ANNEALED		FINISH TIN PLATE 0.00254[.000100] MIN THK PER MIL-T-10727	RESTRICTED TO -
		WEIGHT -	CAGE CODE 00779
		CUSTOMER DRAWING	DRAWING NO G-33462
		SCALE 4:1	SHEET 1 OF 1
			REV H1