



Avago Technologies (Broadcom Limited)

HCPL-091J-500E

Part Number:	HCPL-091J-500E
Manufacturer/Brand:	Avago Technologies (Broadcom Limited)
Product description:	DGTL ISO 2.5KV GEN PURP 16SOIC
Datasheets:	HCPL-091J-500E.pdf
RoHS Status:	Lead free / RoHS Compliant
Stock Condition:	9294 pcs stock
Ship From:	Hong Kong
Shipment Way:	DHL/Fedex/TNT/UPS/EMS

[REQUEST FOR QUOTATION](#)

Limited)

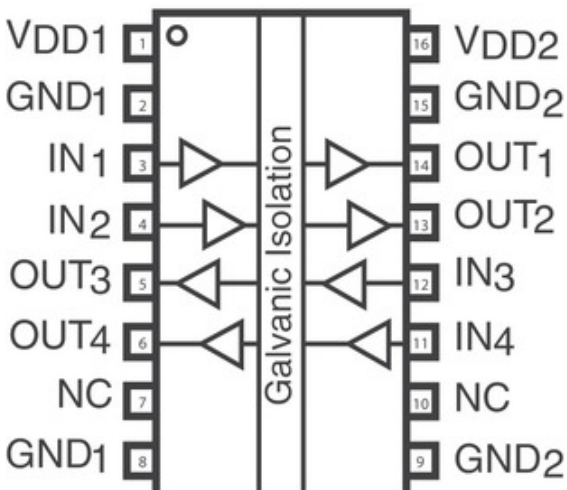


Image may be representation. See specifications for product details.

Specifications of HCPL-091J-500E

PART NUMBER	HCPL-091J-500E
MANUFACTURER	Avago Technologies (Broadcom Limited)
DESCRIPTION	DGTL ISO 2.5KV GEN PURP 16SOIC
LEAD FREE STATUS / ROHS STATUS	Lead free / RoHS Compliant
QUANTITY AVAILABLE	9294 pcs
DATA SHEET	HCPL-091J-500E.pdf
VOLTAGE - SUPPLY	3 V ~ 5.5 V
VOLTAGE - ISOLATION	2500Vrms
TYPE	General Purpose
TECHNOLOGY	GMR (Giant Magnetoresistive)
SUPPLIER DEVICE PACKAGE	16-SOIC
SERIES	-
RISE / FALL TIME (TYP)	1ns, 1ns
PULSE WIDTH DISTORTION (MAX)	3ns
PROPAGATION DELAY TPLH / TPHL (MAX)	15ns, 15ns
PACKAGING	Original-Reel®
PACKAGE / CASE	16-SOIC (0.154", 3.90mm Width)
OTHER NAMES	516-4205-6
OPERATING TEMPERATURE	-55°C ~ 125°C
NUMBER OF CHANNELS	4
MOUNTING TYPE	Surface Mount
MOISTURE SENSITIVITY LEVEL (MSL)	1 (Unlimited)
LEAD FREE STATUS / ROHS STATUS	Lead free / RoHS Compliant
ISOLATED POWER	No
INPUTS - SIDE 1/SIDE 2	2/2
DETAILED DESCRIPTION	General Purpose Digital Isolator 2500Vrms 4 Channel 110MbD 15kV/μs CMTI 16-SOIC (0.154", 3.90mm Width)
DATA RATE	110MbD
COMMON MODE TRANSIENT IMMUNITY (MIN)	15kV/μs
CHANNEL TYPE	Unidirectional

Related Tags

Avago Technologies (Broadcom Limited) HCPL-091J-500E	HCPL-091J-500E Distributor	HCPL-091J-500E Supplier
HCPL-091J-500E Price	HCPL-091J-500E Pictures	HCPL-091J-500E Image
HCPL-091J-500E PDF Datasheet	HCPL-091J-500E Download Datasheet	HCPL-091J-500E Datasheet
HCPL-091J-500E Stock	Buy HCPL-091J-500E	Buy Avago Technologies (Broadcom Limited) HCPL-091J-500E
Avago Technologies (Broadcom Limited) HCPL-091J-500E	Avago Technologies (Broadcom Limited) Supplier	Avago Technologies (Broadcom Limited) Distributor
Avago Technologies (Broadcom Limited) HCPL-091J-500E	Avago Technologies Limited HCPL-091J-500E	Avago Technologies US Inc. HCPL-091J-500E
Avago Technologies HCPL-091J-500E	Avago Technologies (Broadcom Limited) HCPL-091J-500E	Broadcom Limited HCPL-091J-500E

Related Products

<p>HCPL-090J-000E Manufacturers: Avago Technologies (Broadcom Limited) Description: DGTL ISO 2.5KV GEN PURP 16SOIC In stock: 9134 pcs</p> <p>RFQ</p>	<p>HCPL-091J-000E Manufacturers: Avago Technologies (Broadcom Limited) Description: DGTL ISO 2.5KV GEN PURP 16SOIC In stock: 10448 pcs</p> <p>RFQ</p>
<p>HCPL-092J-500E Manufacturers: Avago Technologies (Broadcom Limited) Description: DGTL ISO 2.5KV GEN PURP 16SOIC In stock: 9803 pcs</p> <p>RFQ</p>	<p>HCPL-091J-500 Manufacturers: Avago Technologies (Broadcom Limited) Description: DGTL ISO 2.5KV GEN PURP 16SOIC In stock: 13608 pcs</p> <p>RFQ</p>
<p>HCPL-092J-500 Manufacturers: Avago Technologies (Broadcom Limited) Description: DGTL ISO 2.5KV GEN PURP 16SOIC In stock: 16264 pcs</p> <p>RFQ</p>	<p>HCPL-092J-000E Manufacturers: Avago Technologies (Broadcom Limited) Description: DGTL ISO 2.5KV GEN PURP 16SOIC In stock: 10061 pcs</p> <p>RFQ</p>
<p>HCPL-0930 Manufacturers: Avago Technologies (Broadcom Limited) Description: DGTL ISO 2.5KV GEN PURP 8SOIC In stock: 19450 pcs</p> <p>RFQ</p>	<p>HCPL-091J Manufacturers: Avago Technologies (Broadcom Limited) Description: DGTL ISO 2.5KV GEN PURP 16SOIC In stock: 11905 pcs</p> <p>RFQ</p>
<p>HCPL-090J-500 Manufacturers: Avago Technologies (Broadcom Limited) Description: DGTL ISO 2.5KV GEN PURP 16SOIC In stock: 16607 pcs</p> <p>RFQ</p>	<p>HCPL-092J Manufacturers: Avago Technologies (Broadcom Limited) Description: DGTL ISO 2.5KV GEN PURP 16SOIC In stock: 8968 pcs</p> <p>RFQ</p>
<p>HCPL-090J-500E Manufacturers: Avago Technologies (Broadcom Limited) Description: DGTL ISO 2.5KV GEN PURP 16SOIC In stock: 21163 pcs</p> <p>RFQ</p>	<p>HCPL-0930-000E Manufacturers: Avago Technologies (Broadcom Limited) Description: DGTL ISO 2.5KV GEN PURP 8SOIC In stock: 15503 pcs</p> <p>RFQ</p>