

REFERENCE SPECIFICATIONS

-NFC 93425 (in compliance with HE 507)

PHYSICAL CHARACTERISTICS

-INSULATOR MATERIAL: THERMOPLASTIC UL94V0
 -CONTACT MATERIAL: PHOSPHOR BRONZE

-ACCESSORIES: BRASS
 -SHELLS: STEEL

ELECTRICAL CHARACTERISTICS

-NOMINAL CURRENT: 7.5A
 -CONTACT RESISTANCE: <= 7.3 m ohms
 -CONTACT/CONTACT : >=1000 V
 -CONTACT/GROUND : >=1200 V
 -INSULATION RESISTANCE: >=5000 MOhms

ENVIRONMENTAL CHARACTERISTICS

- CLIMATIC CATEGORY: 55/125/21
 TEMPERATURE RANGE -55°C TO +125°C
 DAMP HEAT STEADY STATE 21 DAYS
 SALT SPRAY 48 HOURS

MECHANICAL CHARACTERISTICS

- RETENTION AGAINST TORQUE: - Threaded insert: 0.7 N.m minimum
 - Female screw : 0.5 N.m minimum

NOTE RoHS INFORMATION

- The "LF" products meet european union Directives and other country regulations as described in GS-22-008.
- Termination plating spec:
Ni + Gold
- Active area plating spec:
Ni + Gold
- Shell plating :2 to 4µm Cu + Nickel + 3 to 10µm Sn,pure bright
- Accessories: Sn pure bright + nickel
- Packaging spec: See GS-14-920

DBL13W3S043A00LF

Series ←

Shell size: **E A B C D** ←
 see sheet 2

Front accessory definition ←
 see sheet 2

- Blank** :without accessory
- L** :threaded insert M3
- O** :threaded insert UNC 4-40

Layout of contacts (see sheet 3) ←

Contacts ←

- S** :Socket

Plating ←

- Blank** signal solder bucket 200 matings/unmatings
- 043** signal solder bucket 500 matings/unmatings

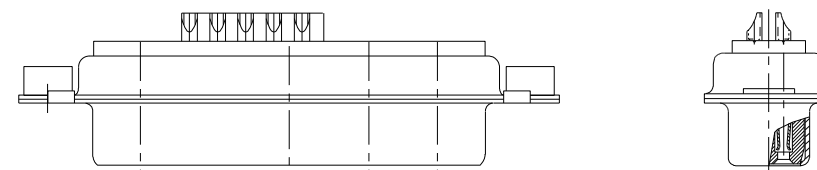
PCB accessory definition ←

- A** without accessory on PCB

Power contacts ←

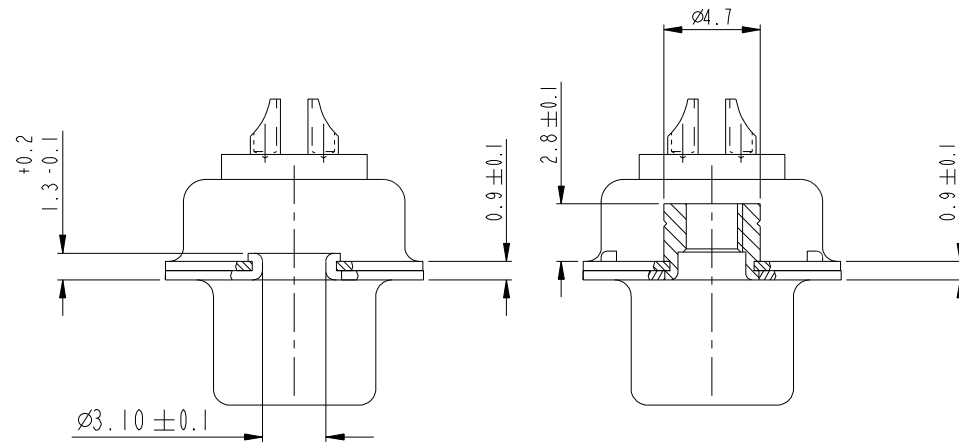
- 00** without power contact

See note RoHS



13W3 FOR EXAMPLE

www.fciconnect.com				surface - ✓	tolerance std	projection	mm
				ISO 1302	ISO 406 ISO 1101	⊕	←
				TOLERANCES UNLESS OTHERWISE SPECIFIED			
Dr	M PESSON	2005-10-11	ANGULAR	0.X	±0.3	size	Scale
Eng	P LEGARE	2005-10-11	LINEAR	0.XX	±0.1	A2	2:1
Chr			0° ±2°	0.XXX	±0.05	ECN	LS07-0273
Appr			Product family		- Spec ref		
rev	ecn no	dr	date	FCI			
A	LS05-0101	MPE	2005-10-11	SUB FEMALE DW			
B	LS06-0208	LGO	2006-12-12	mixed power+solder bucket			
C	LS07-0273	MPE	2007/10/31	catalog no			
D	F10-0073	LSA	2010/07/20	CUSTOMER			
				title		Rev.	
				SUB FEMALE DW		C01-8639-2303	
				mixed power+solder bucket		D	
				catalog no		sheet 1 of 7	



FRONT ACCESSORY	Blank without	L insert M3
		O insert UNC 4.40
PCB ACCESSORIES	A without	A without

PART NUMBER	MATINGS/ UNMATINGS	FRONT ACCESSORY	PCB ACCESSORIES
D*xWxSA00LF	200	without	without
D*LxWxSA00LF	200	insert M3	without
D*OxWxSA00LF	200	insert UNC 4.40	without
D*xWxS043A00LF	500	without	without
D*LxWxS043A00LF	500	insert M3	without
D*OxWxS043A00LF	500	insert UNC 4.40	without

shell size	LAYOUTS
*	xWx
E	5W1
A	11W1
A	7W2
B	21W1
B	17W2
B	13W3
B	9W4
C	25W3
C	21WA4
C	27W2
D	47W1
D	24W7
D	36W4

SCALE: 4

www.fciconnect.com		surface <input checked="" type="checkbox"/> ISO 1302	tolerance std ISO 406 ISO 1101	projection	mm
		TOLERANCES UNLESS OTHERWISE SPECIFIED			
Dr	M PESSON	2005-10-11	ANGULAR	0.X ±0.3	size A2
Eng	P LEGARE	2005-10-11	LINEAR	0.XX ±0.1	Scale 2:1
Chr			0° ±2°	0.XXX ±0.05	ECN LS07-0273
Appr			Product family	-	Spec ref
		TITLE SUB FEMALE DW		dwg no C01-8639-2303	Rev. D
		mixed power+solder bucket		CUSTOMER	sheet 2 of 7
		catalog no	-		

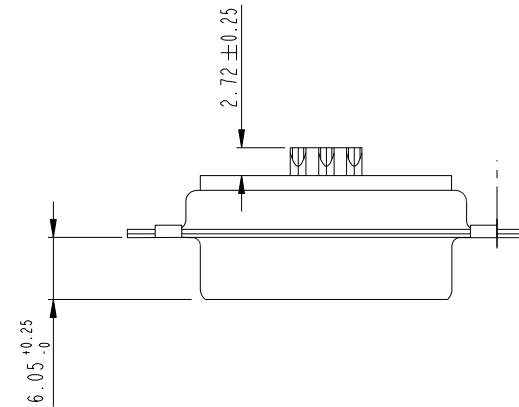
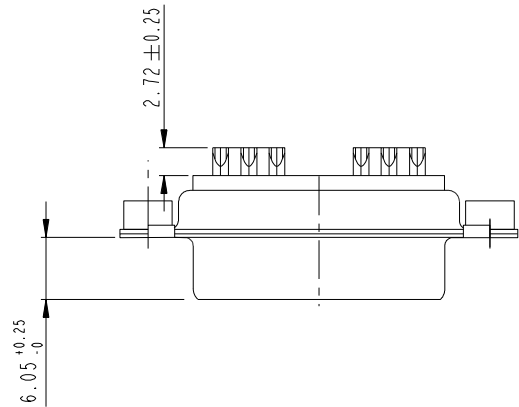
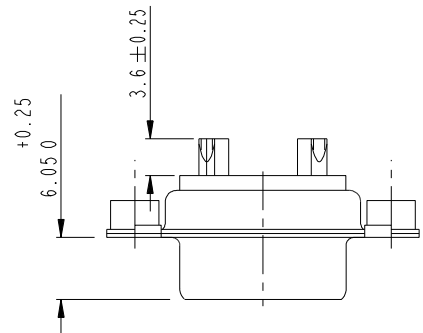
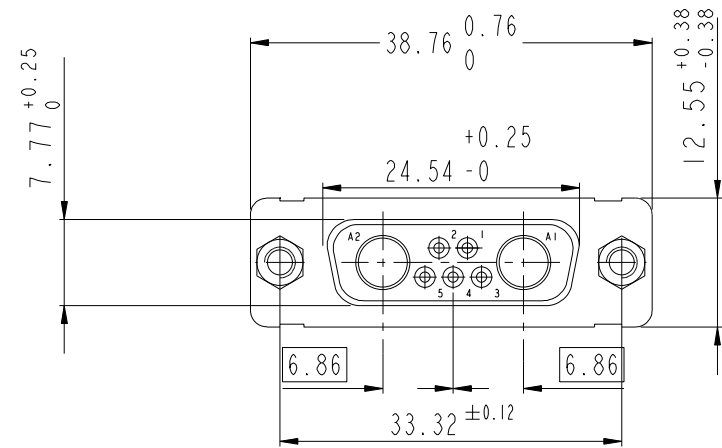
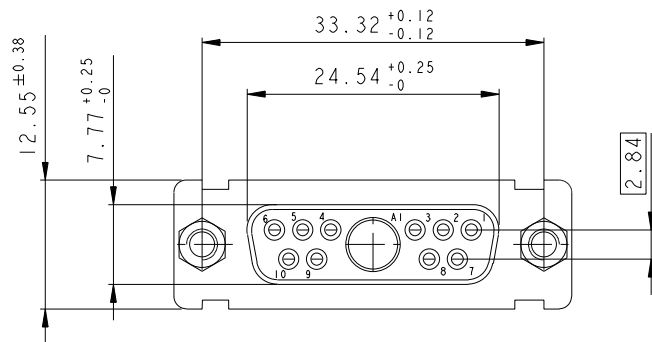
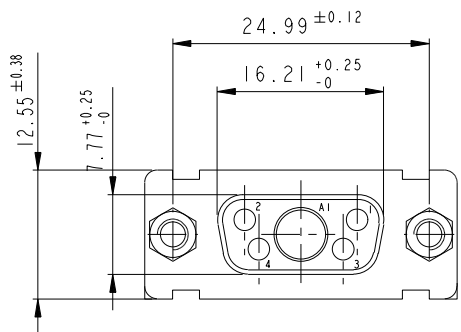


Copyright FCI.

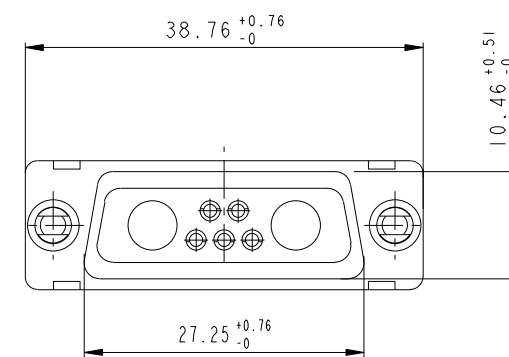
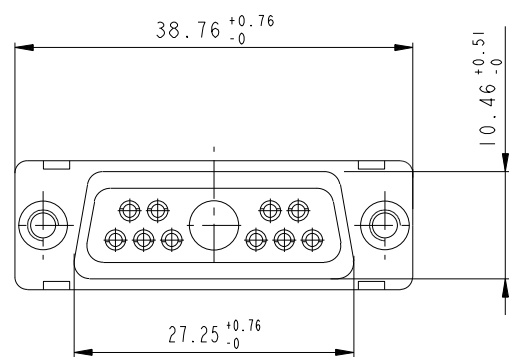
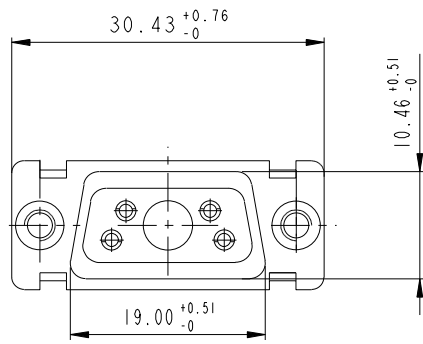
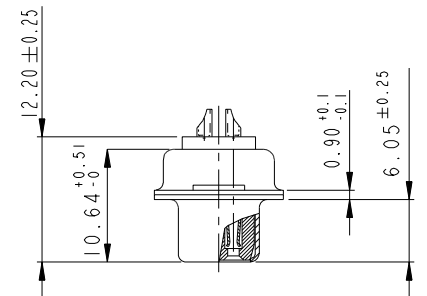
5W1

11W1

7W2



SIDE VIEW FOR LAYOUTS: E A B C



Floating signal contacts



Copyright FCI.

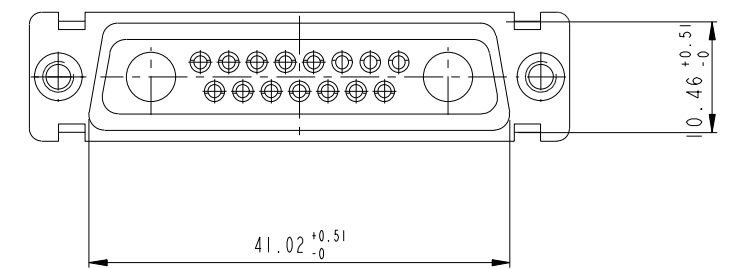
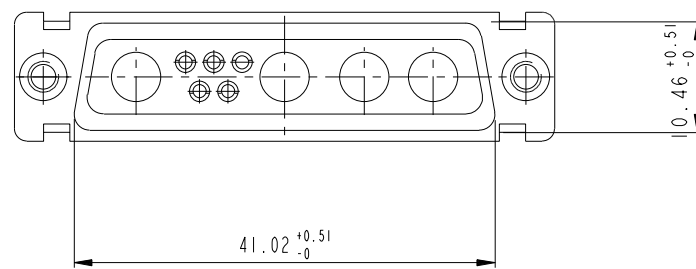
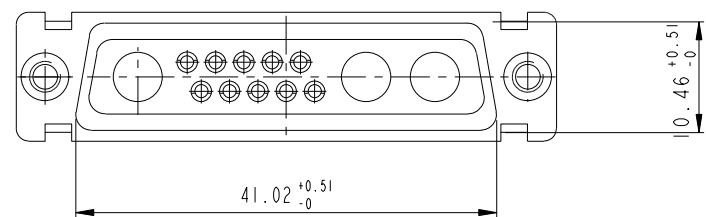
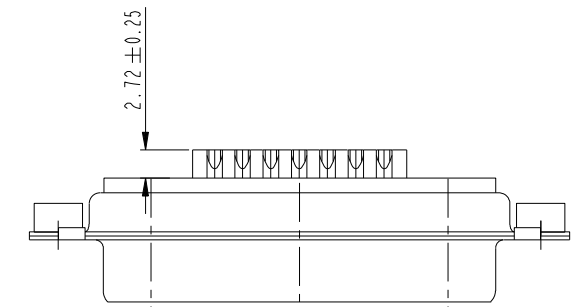
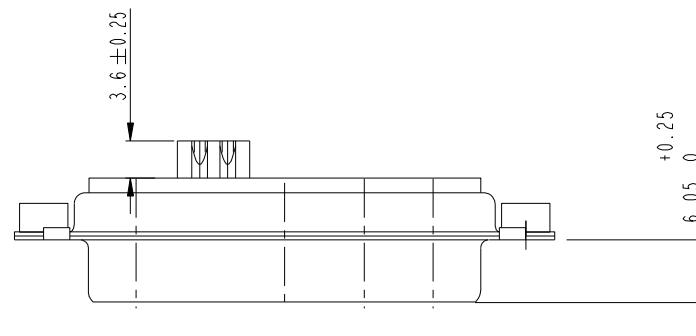
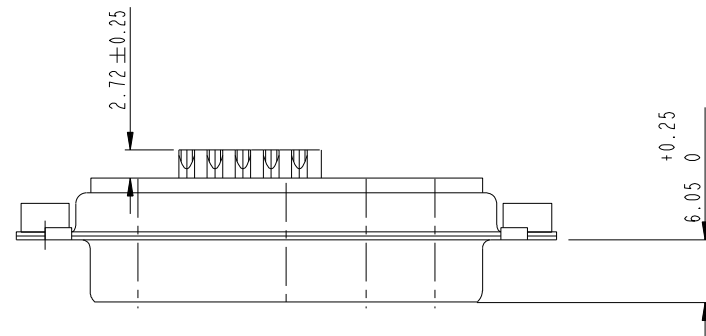
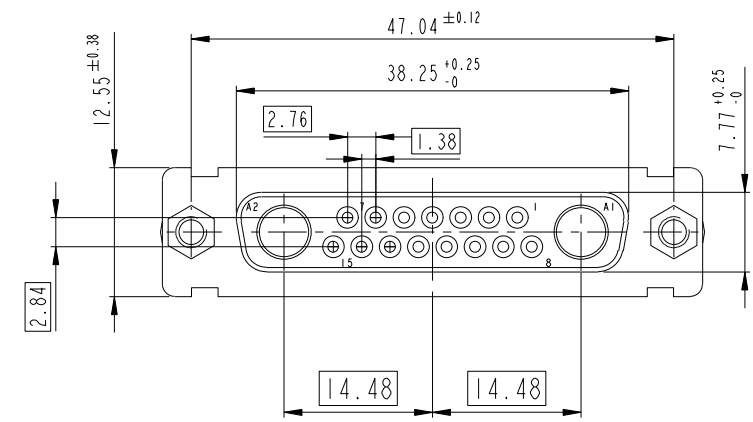
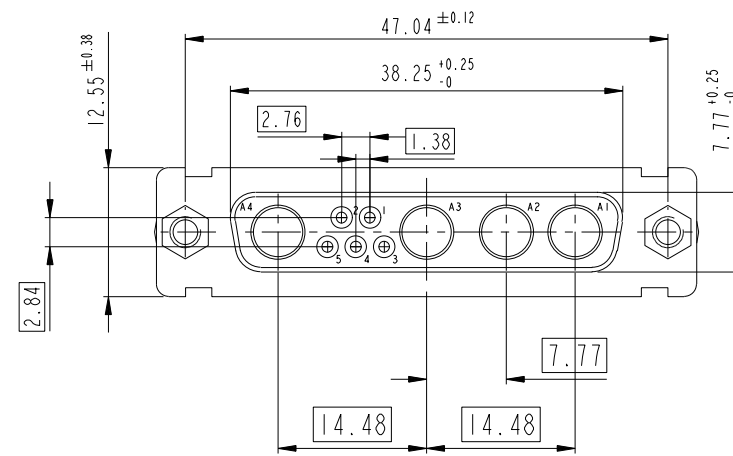
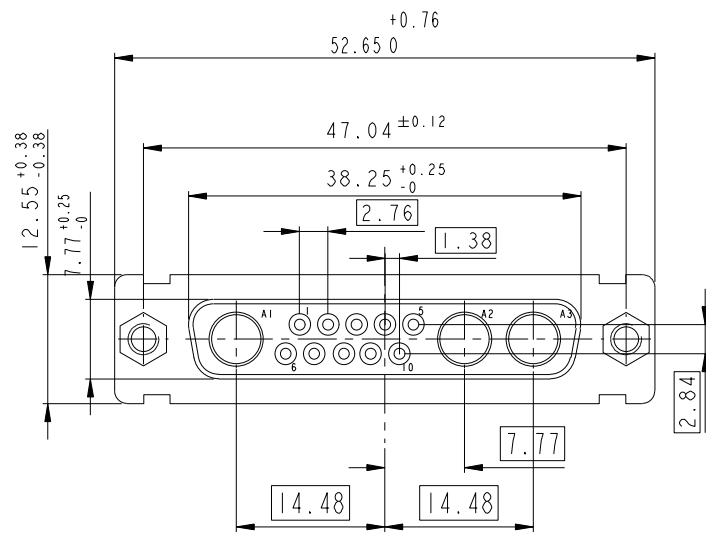
www.fciconnect.com		surface - ✓	tolerance std ISO 1302	ISO 406	ISO 1101	projection	mm
		TOLERANCES UNLESS OTHERWISE SPECIFIED					
Dr	M PESSON	2005-10-11	ANGULAR	0.X	±0.3	size	Scale
Eng	P LEGARE	2005-10-11	LINEAR	0.XX	±0.1	A2	2:1
Chr			0° ±2°	0.XXX	±0.05	ECN	LS07-0273
Appr			Product family			Spec ref	
		SUB FEMALE DW		mixed power+solder bucket		dwg no	Rev.
						C01-8639-2303	D
						CUSTOMER	sheet 3 of 7

REV C - 2004-03-28

13W3

9W4

17W2



Floating signal contacts



Copyright FCI.

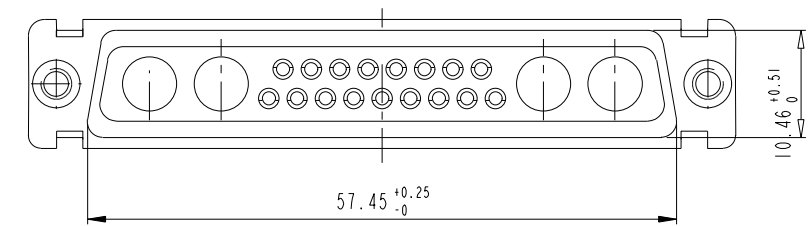
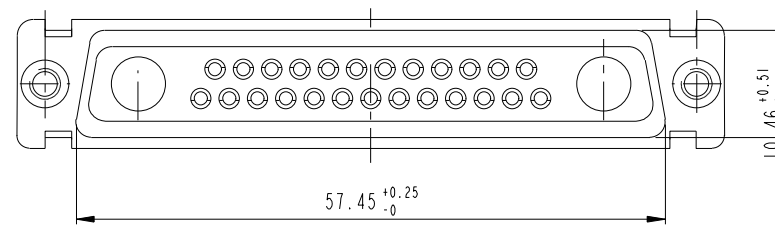
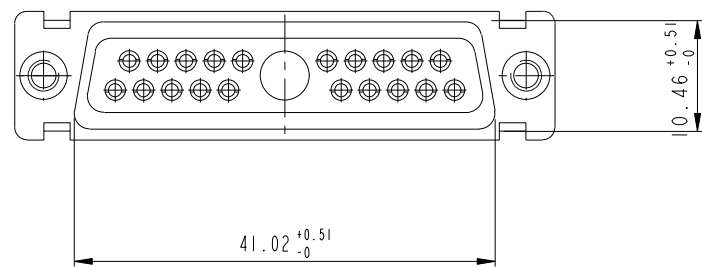
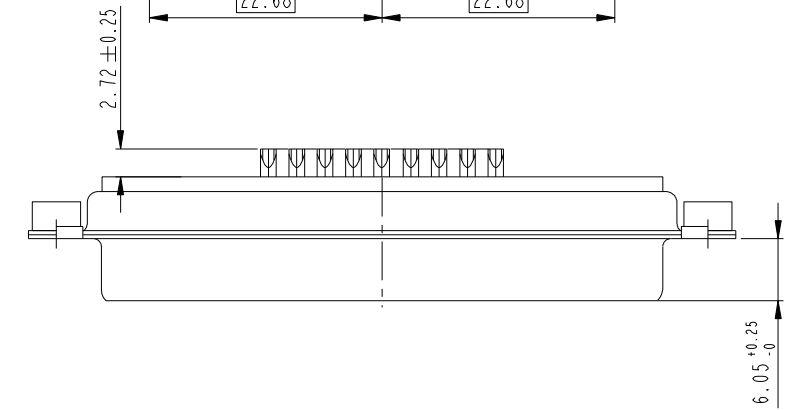
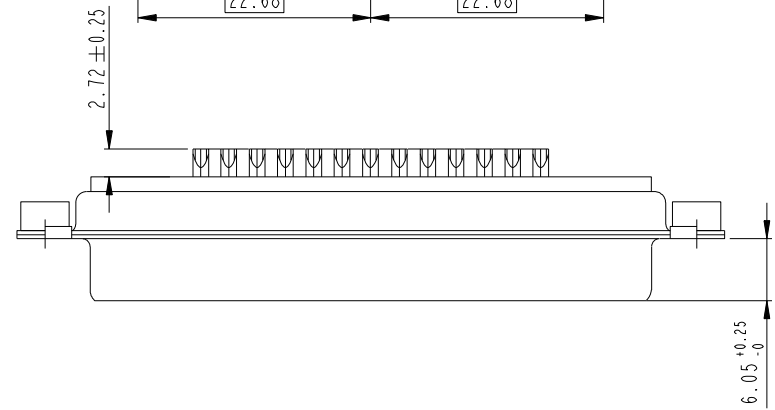
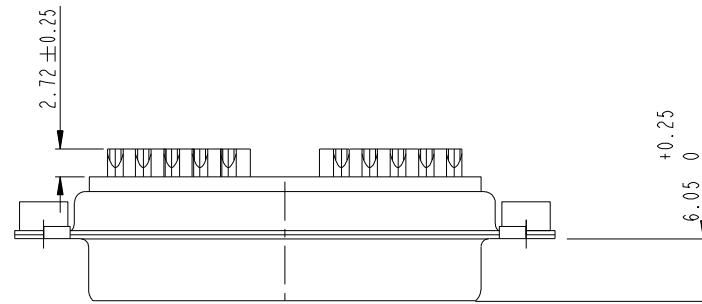
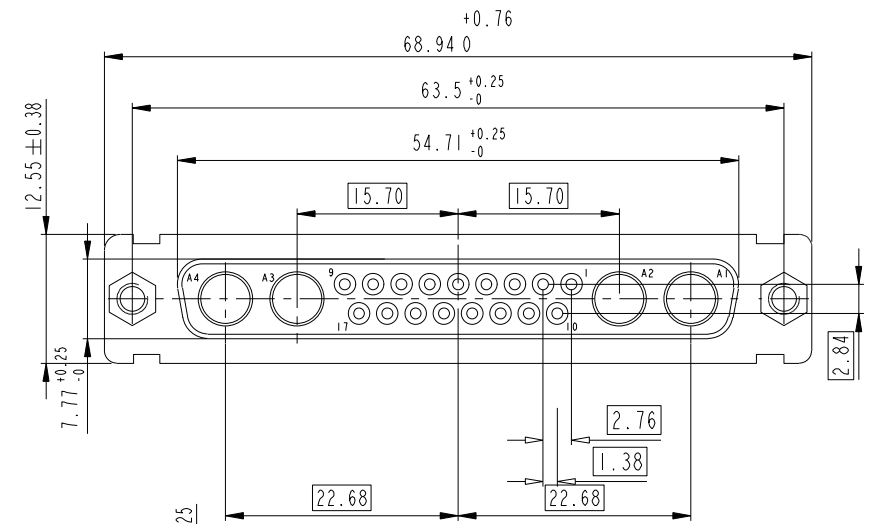
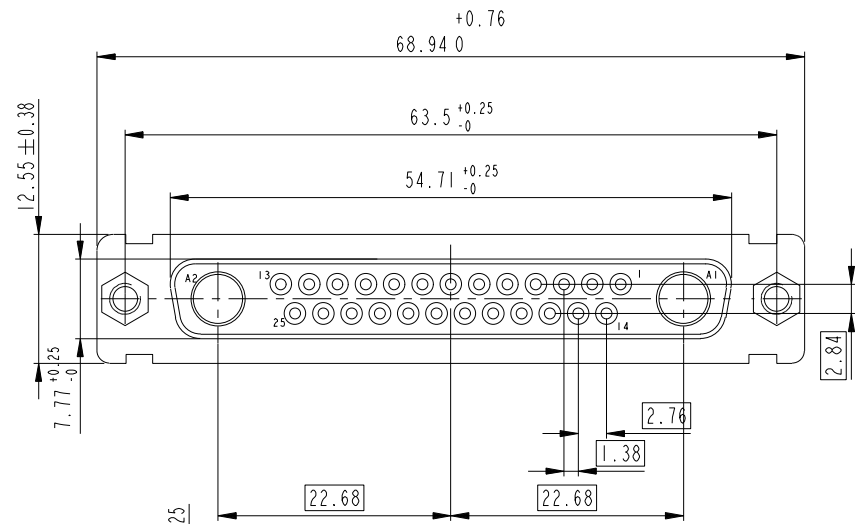
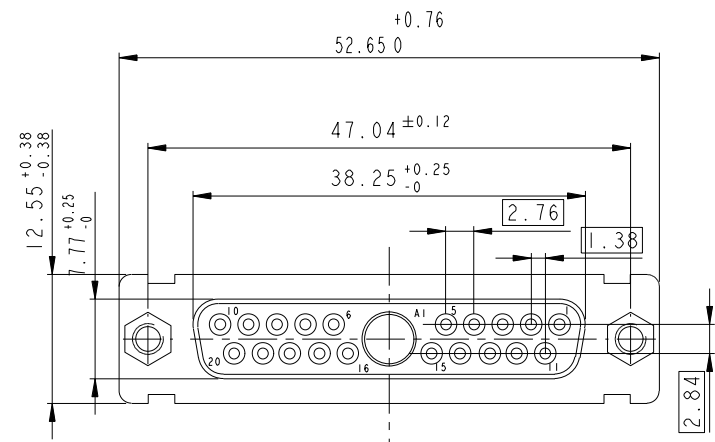
www.fciconnect.com		surface - ✓ ISO 1302	tolerance std ISO 406 ISO 1101	projection mm
		TOLERANCES UNLESS OTHERWISE SPECIFIED		mm
Dr	M PESSON	2005-10-11	ANGULAR	0.X ±0.3
Eng	P LEGARE	2005-10-11	LINEAR	0.XX ±0.1
Chr			0° ±2°	0.XXX ±0.05
Appr			Product family	- Spec ref
FCI		SUB FEMALE DW mixed power+solder bucket		dwg no C01-8639-2303
		Rev.	D	
catalog no		CUSTOMER		sheet 4 of 7

REV C - 2004-03-28

21W1

27W2

21WA4



Copyright FCI.

www.fciconnect.com		surface ISO 1302	tolerance std ISO 406 ISO 1101	projection mm
		TOLERANCES UNLESS OTHERWISE SPECIFIED		
Dr	M PESSON	2005-10-11	ANGULAR	0.X ±0.3
Eng	P LEGARE	2005-10-11	LINEAR	0.XX ±0.1
Chr			0° ±2°	0.XXX ±0.05
Appr			Product family	- Spec ref
FCI		SUB FEMALE DW mixed power+solder bucket		dwg no C01-8639-2303
		catalog no	CUSTOMER	Rev. D
			sheet 5 of 7	

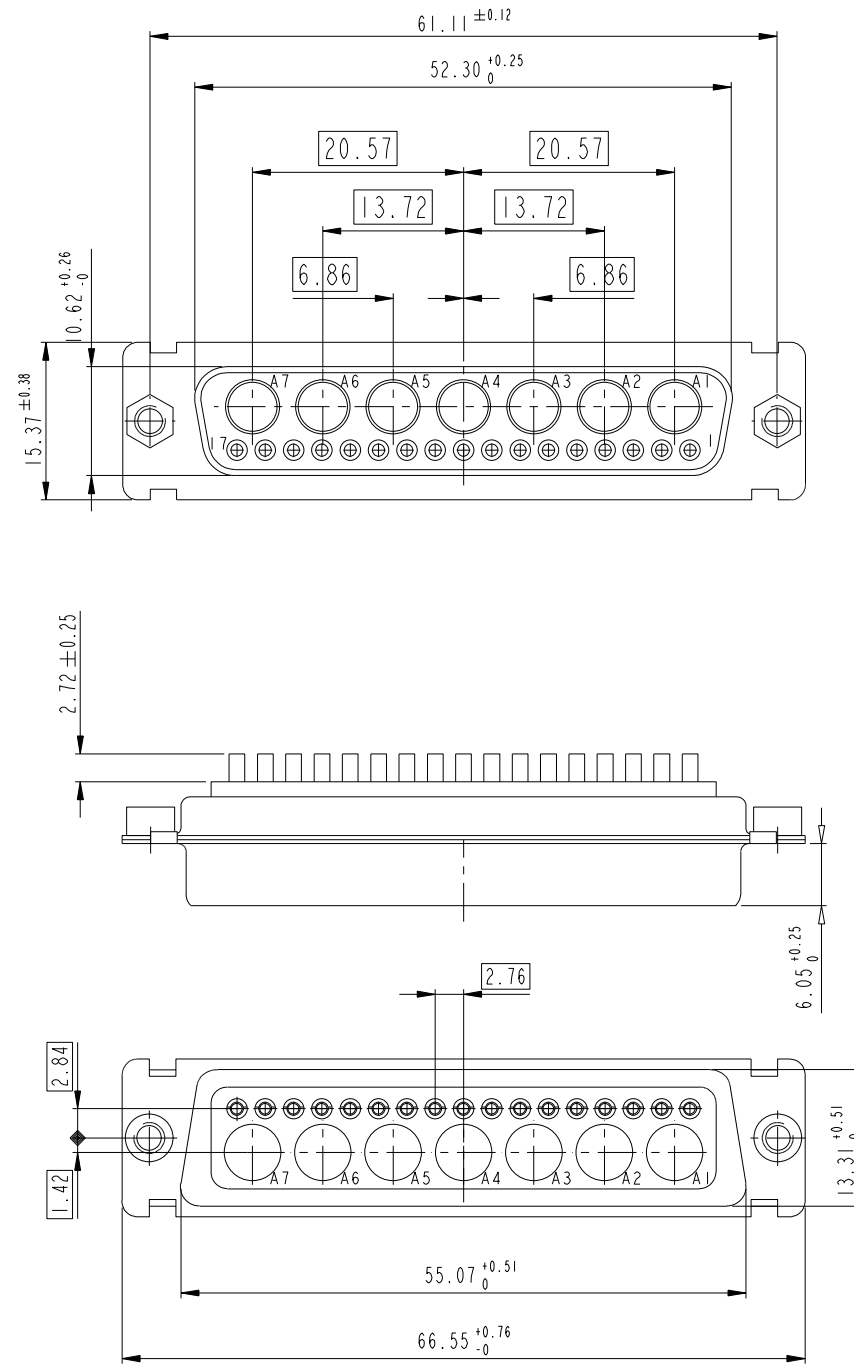
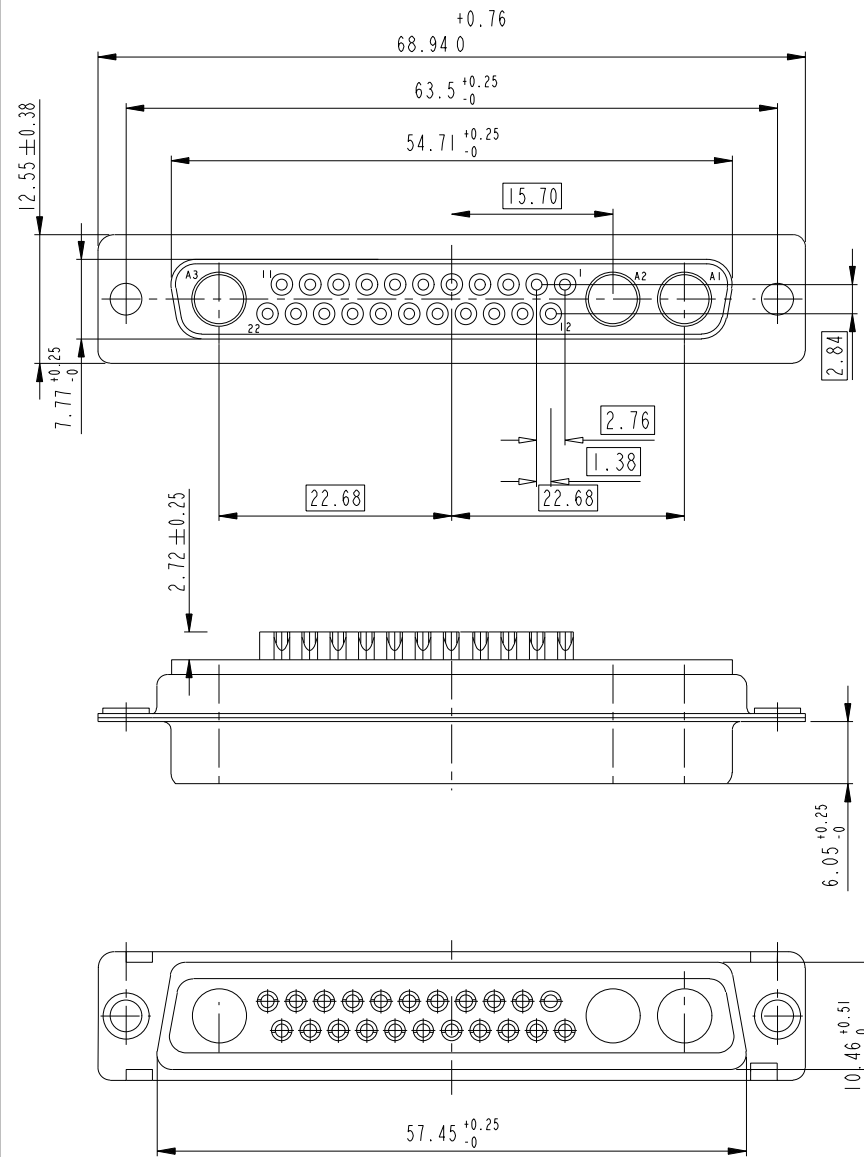
REV C - 2004-03-28

PDS: Rev :D

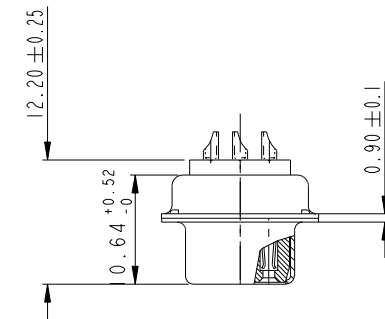
PDM: Rev:AD US:Released Printed: Jun 19, 2015

25W3

24W7



SIDE VIEW FOR LAYOUT: D

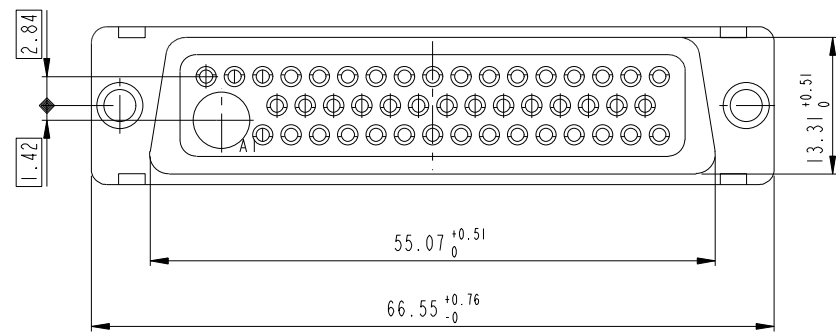
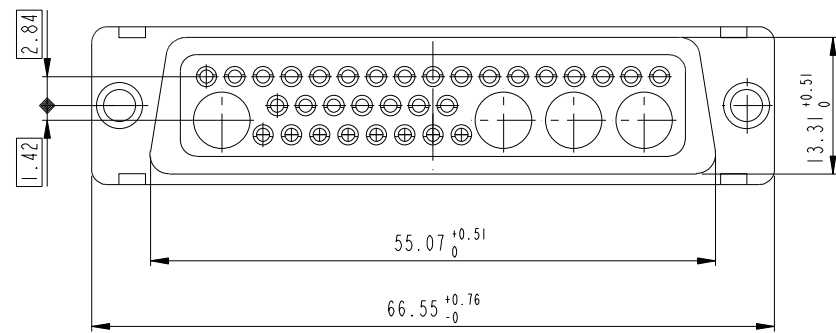
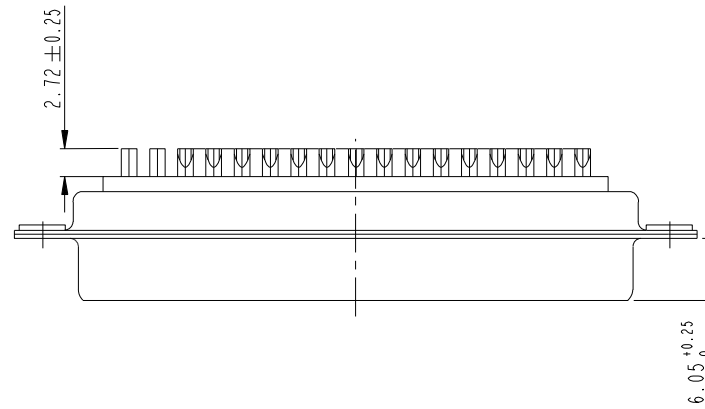
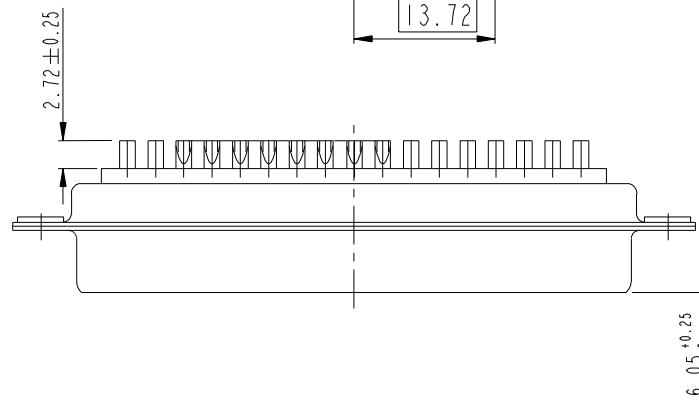
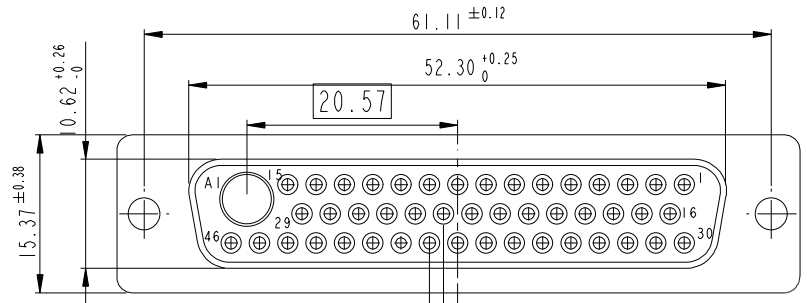
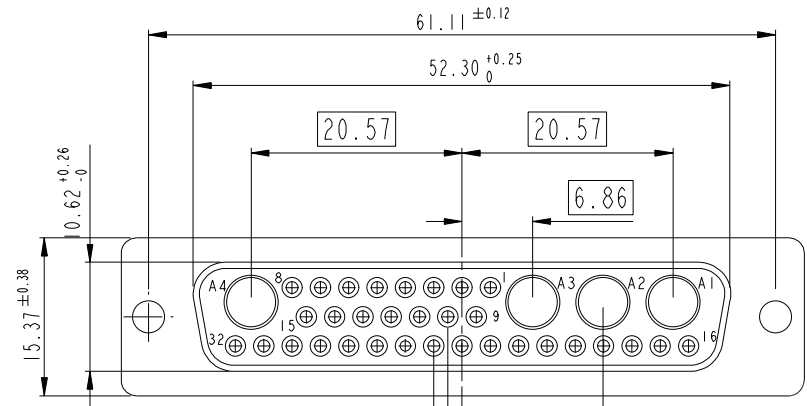


Copyright FCI.

www.fciconnect.com		surface - ✓	tolerance std ISO 1302	ISO 406	ISO 1101	projection	mm
		TOLERANCES UNLESS OTHERWISE SPECIFIED				⊕	↔
Dr	M PESSON	2005-10-11	ANGULAR	0.X	±0.3	size	Scale
Eng	P LEGARE	2005-10-11	LINEAR	0.XX	±0.1	A2	2:1
Chr			0° ±2°	0.XXX	±0.05	ECN	LS07-0273
Appr			Product family	- Spec ref			
FCI		SUB FEMALE DW			dwg no		Rev.
		mixed power+solder bucket			C01-8639-2303		D
		catalog no			CUSTOMER		sheet 6 of 7

36W4

47W1



Copyright FCi.



www.fciconnect.com		surface ISO 1302	tolerance std ISO 406 ISO 1101	projection mm
		TOLERANCES UNLESS OTHERWISE SPECIFIED		mm
Dr	M PESSON	2005-10-11	ANGULAR	0.X ±0.3
Eng	P LEGARE	2005-10-11	LINEAR	0.XX ±0.1
Chr			0° ±2°	0.XXX ±0.05
Appr			Product family	size A2
				ECN LS07-0273
				Spec ref
	SUB FEMALE DW		dwg no	Rev.
	mixed power+solder bucket		C01-8639-2303	D
	catalog no		CUSTOMER	sheet 7 of 7

REV C - 2004-03-28