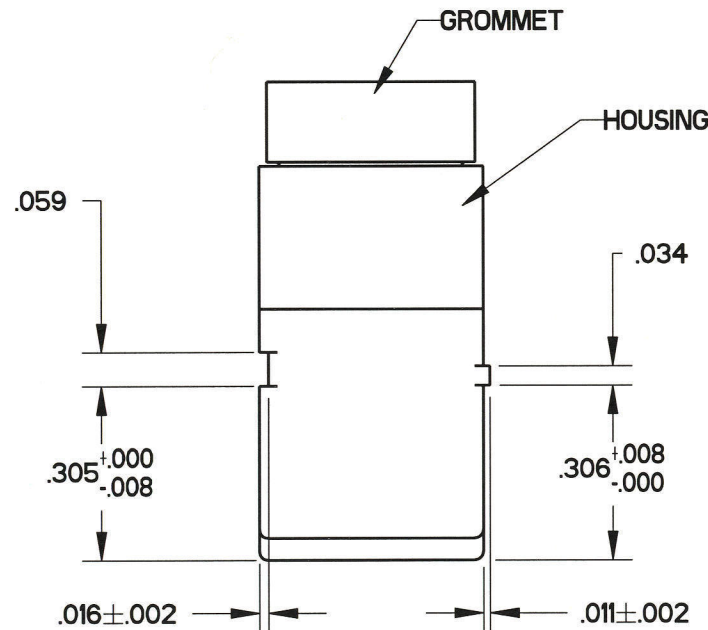
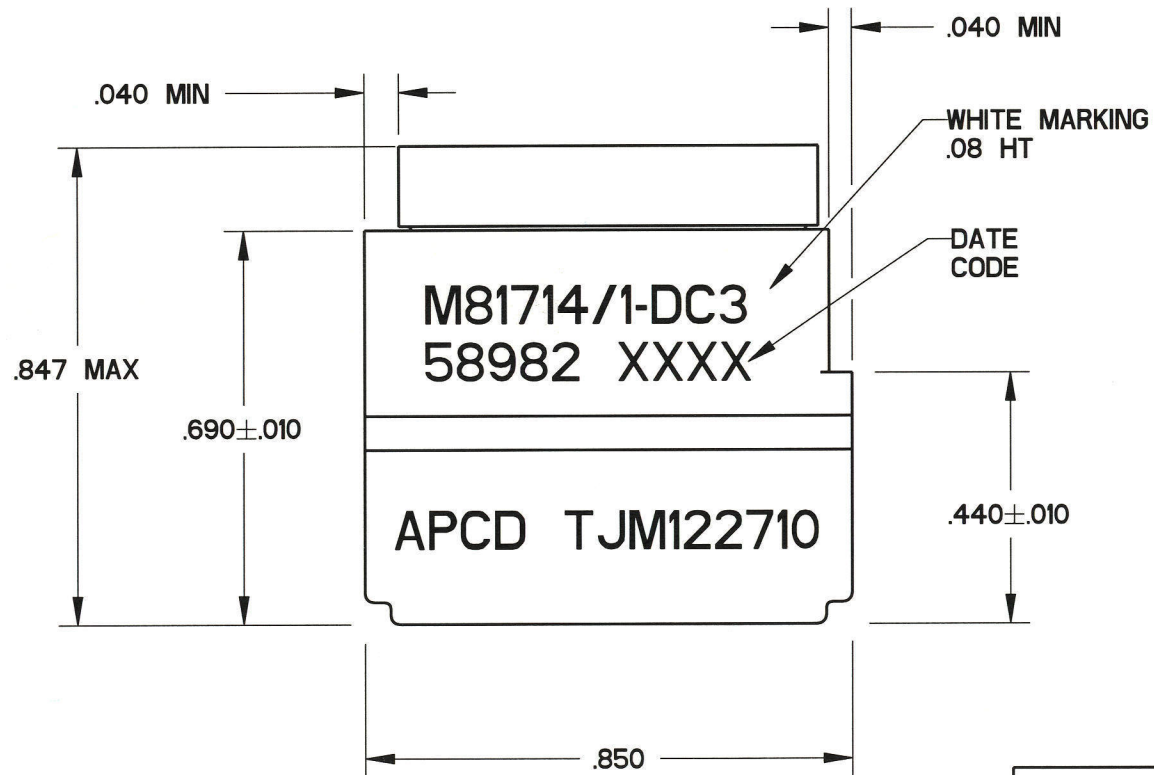
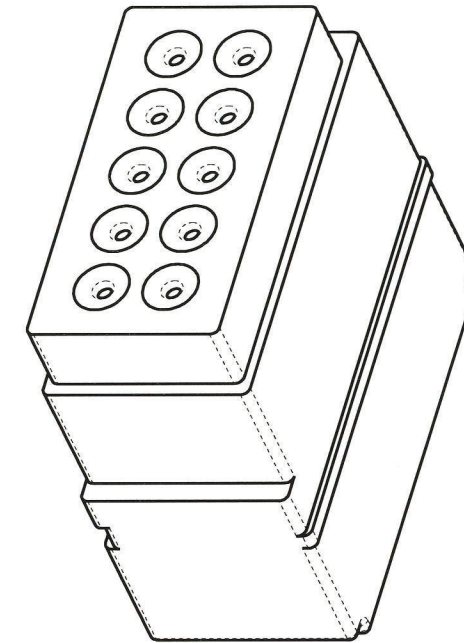
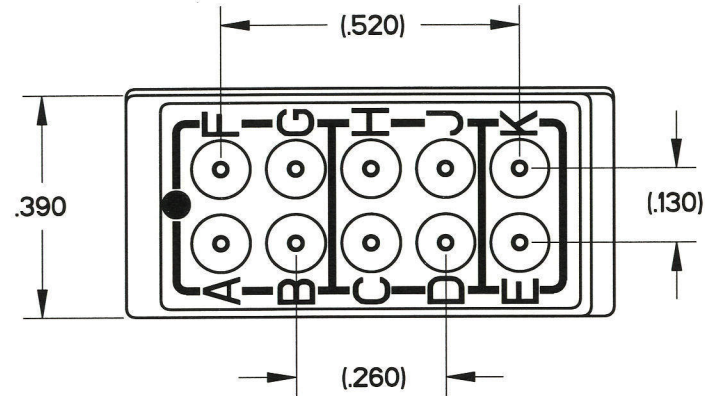


REV	ECN	APP'D
-	5814	074-13-06



- NOTES:
- PERFORMANCE:
    - A) MEETS PERFORMANCE AND ENVIRONMENTAL REQUIREMENTS OF MIL-T-81714/1
    - B) MODULES ARE TO BE MOUNTED INTO RACK ASSEMBLY M81714/5 OR/16 OR COMMERCIAL EQUIVALENT.
    - C) DIELECTRIC WITHSTANDING VOLTAGE: 1500 VRMS AT SEA LEVEL, 200 VRMS AT 100,000 FEET.
    - D) OPERATING TEMPERATURE: -65 C TO 200 C.
    - E) CURRENT RATING: 5 AMPS
    - F) VIBRATION AND SHOCK: MIL-T-81714 PARAGRAPH 3.5.5 AND 3.5.8
  - MATERIALS:
    - A) HOUSING - POLYETHERIMIDE, COLOR: BLACK.
    - B) GROMMET - SILICONE ELASTOMER, COLOR: BLUE
    - C) INTERNAL CONTACTS - COPPER ALLOY, GOLD PLATED
    - D) CONTACT RETAINERS - STAINLESS STEEL.

APCD P/N	SUPPLIED				MARKING		CLASS
	PINS		PLUGS		APCD QPL NO.	MIL. NO	
	QTY.	MIL. P/N	APCD P/N	QTY.	APCD P/N		
TJM122610	-	-	-	-	-	TJM122710	M81714/1-DC3
TJM122710	11	M39029/1-100	CNP068000	2	CNA032401		

<b>DIMENSIONS</b> ANSI Y14.5M UNITS: INCHES Pro/E FILE	<b>TOLERANCES</b> .XX ±0.01 .XXX ±0.005 ANGLES ±2.0°	<b>PROJECTION</b> 	<b>Amphenol Pcd</b> SPECIFICATION DRAWING			<b>TITLE</b> TERMINAL JUNCTION MODULE SZ 22 FEEDBACK, DC3			
			DRWN A. SWEEZEY 03/09/06			SIZE	DWG NO.		REV
ORIGINAL 	THIS DOCUMENT CONTAINS PROPRIETARY INFORMATION WHICH IS THE CONFIDENTIAL PROPERTY OF AMPHENOL PCD INC., PEABODY, MA			ENGR R. SWAINE 03/01/06			<b>B</b>	TJM122610	-
				APPD <i>John R 4-13-06</i>					