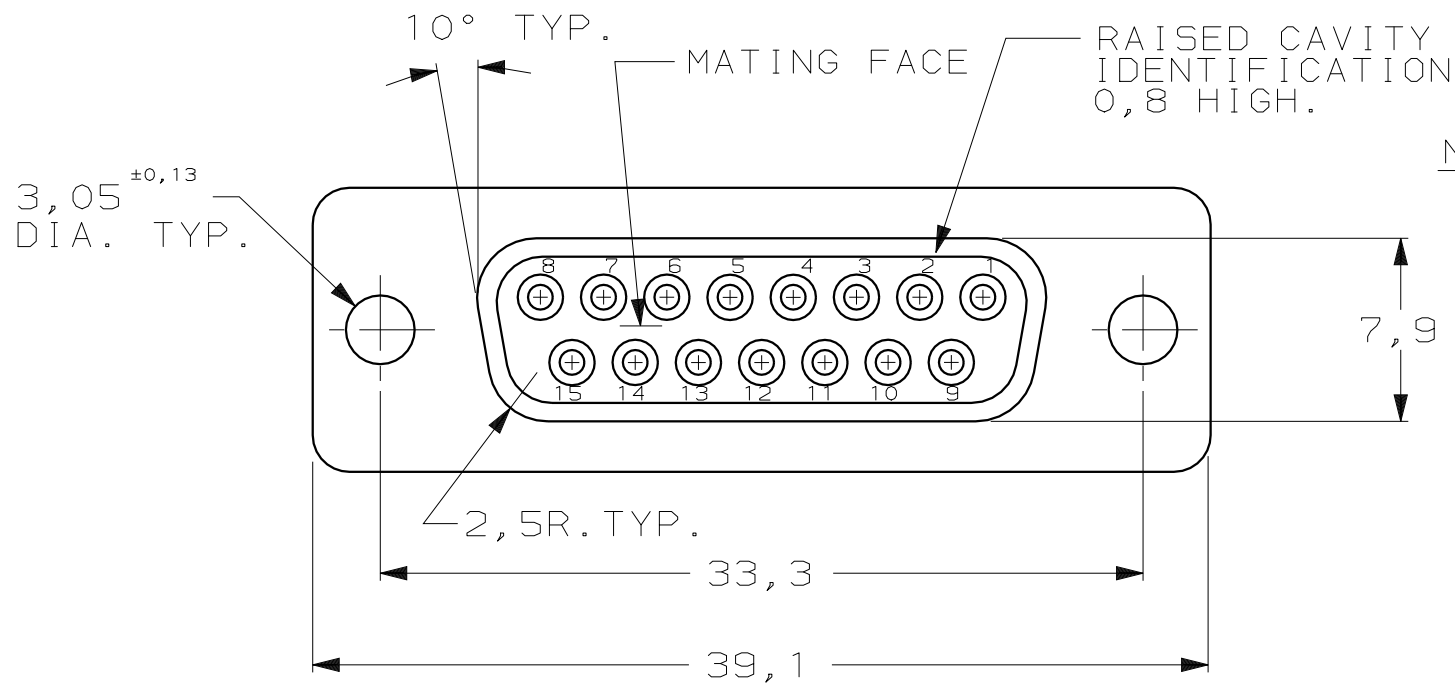
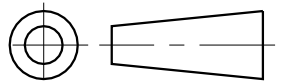


DO NOT SCALE

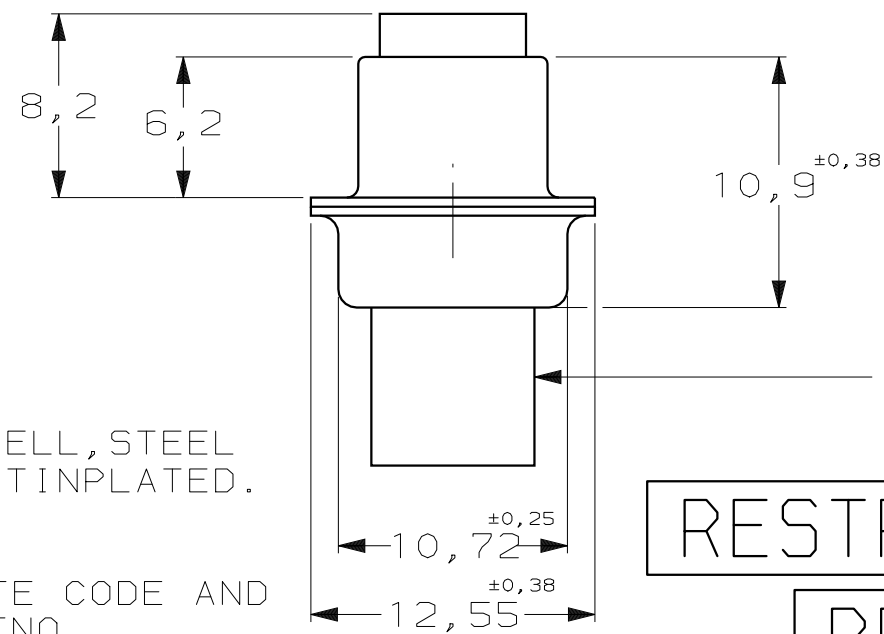
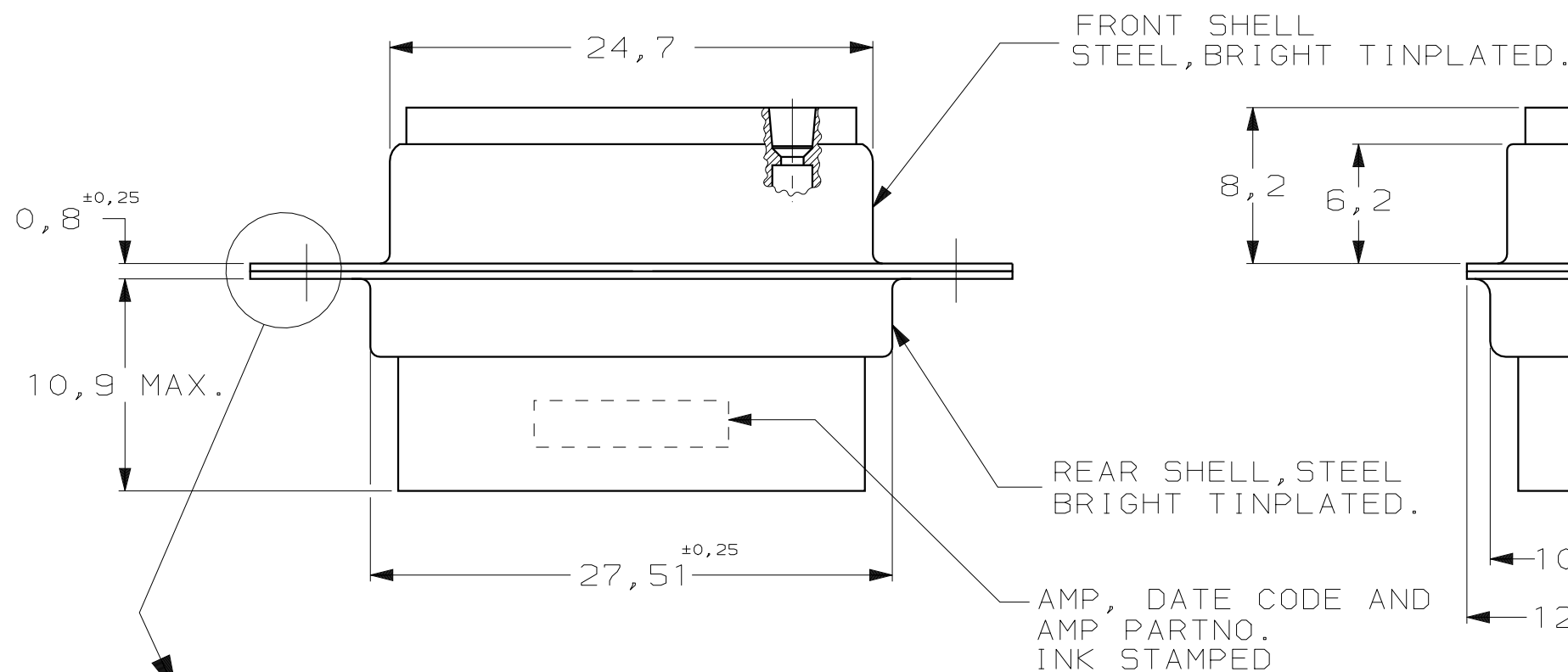
DIMENSIONS IN mm

METRIC

THIRD ANGLE  
PROJECTION



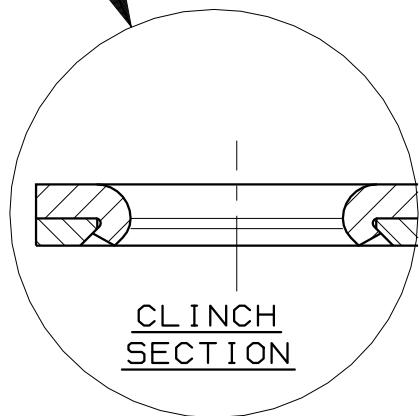
- NOTES: 1 THIS RECEPTACLE ACCEPTS SIZE 20 REC. CONTACTS.  
 2 MAXIMUM WIRE INSULATION RECOMMENDED FOR USE WITH THIS RECEPTACLE IS 1,73 DIA. MAX..  
 3 RETENTION TINES ARE AN INTEGRAL PART OF INSERT.  
 4 FOLLOWING INSERTION/REMOVAL TOOLS ARE RECOMMENDED FOR USE WITH THESE CONNECTORS:
- |                           |                           |
|---------------------------|---------------------------|
| 32-28AWG/28-24AWG CONT'S  | 24-20AWG CONTACTS         |
| 91285-1 INSERTION/REMOVAL | 91285-1 INSERTION/REMOVAL |
| 726363-1 INSERTION ONLY   | 726363-1 INSERTION ONLY   |
|                           | 726364-1 REMOVAL ONLY     |



INSERTS: NYLON  
GLASS-FILLED  
SELF-EXTINGUISHING  
COLOR: BLACK

RESTRICTED TO ABB

PRELIMINARY



	SEE DRAWING	SEE DRAWING	216833-1
	FINISH	MATERIAL	PARTNUMBER
CUSTOMER DRAWING	<b>AMP</b>		AMP-HOLLAND B.V. s'-Hertogenbosch, The Netherlands.
	THIS DRAWING IS UNPUBLISHED   RELEASED FOR PRODUCTION, 19		
	© COPYRIGHT 19- BY AMP-HOLLAND B.V. ALL INTERNATIONAL RIGHTS RESERVED. AMP PRODUCTS MAY BE COVERED BY U.S. AND FOREIGN PATENTS AND/OR PATENTS PENDING.		
DR. P.BEIJNON	DATE 03-01-90	WIRE RANGE -	NAME HDP-20 REC. CONNECTOR, SIZE 2, (15 POSITION) -SPECIAL-
CHK. B.MOOIJ	DATE 04-01-90	INSUL. RANGE -	REV. DATE 09 02 90
APP. L.V.SOEST	DATE 22-01-90	SIZE A3	SHEET 1 OF 1
		DWG. No.	216833
			REV. LTR. A

8 7 6 5 4 3 2 1