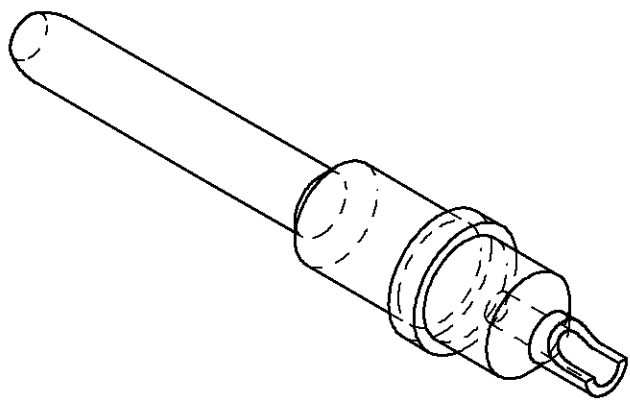
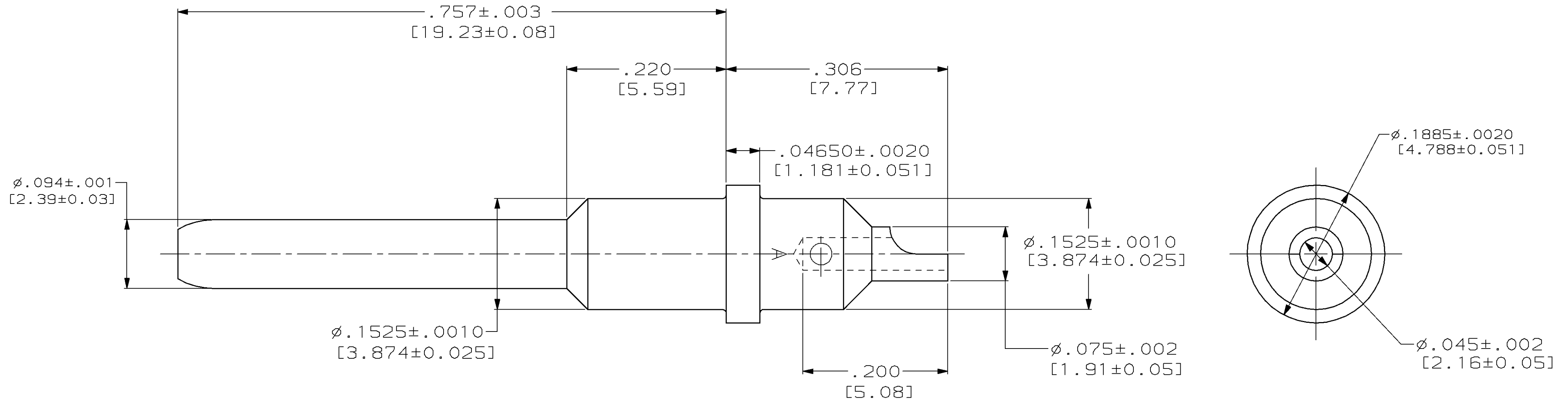


THIS DRAWING IS UNPUBLISHED. RELEASED FOR PUBLICATION
 BY AMP INCORPORATED. ALL RIGHTS RESERVED.

LOC	DIST	REVISIONS					
DF	AO	P	LTR	DESCRIPTION	DATE	DWN	APVD
		0		RELEASED PER 0600-7519-98	5-98	CT	SG
		A		REV PER 0600-7711-98 JB	10-98	JB	SG

- 1 MATERIAL: COPPER ALLOY PER MIL-C-39029.
- 2 FINISH: PLATED GOLD .000050 [0.00127] MIN THK PER MIL-G-45204 OVER NICKEL .000050 [0.00127] MIN THK PER QQ-N-290.



1218241-2
 PART NO.

THIS DRAWING IS A CONTROLLED DOCUMENT.		DWN C.C. THOMAS 5-14-98	AMP Incorporated Harrisburg, PA 17105-3608	
DIMENSIONS: INCHES [mm]		CHK S. GLATFELTER 6-3-98	NAME S. GLATFELTER	
TOLERANCES UNLESS OTHERWISE SPECIFIED:		APVD S. GLATFELTER 6-3-98	PRODUCT SPEC	
0 PLC ±-		APPLICATION SPEC		
1 PLC ±-		-		
2 PLC ±-		-		
3 PLC ±.005 [0.13]		-		
4 PLC ±-		-		
ANGLES ±-		-		
FINISH		WEIGHT		
MATERIAL		CUSTOMER DRAWING		
1		SCALE 10:1		SHEET 1 OF 1
2		REV A		RESTRICTED TO
SIZE A2		CAGE CODE 00779		DRAWING NO. C=1218241