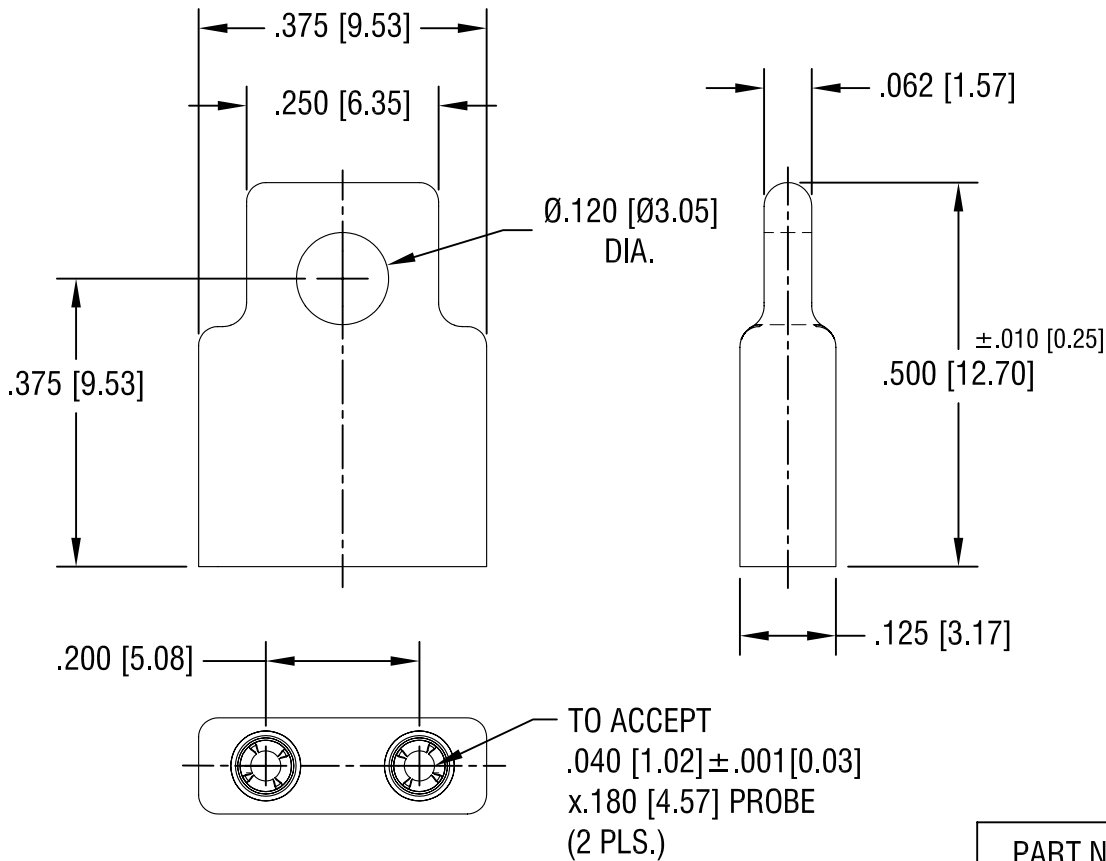
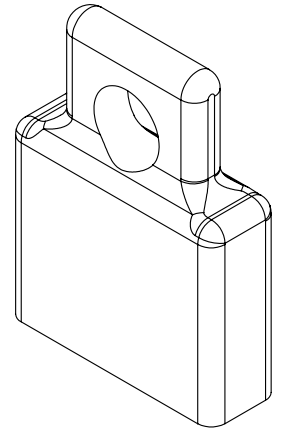


THIS DOCUMENT IS THE PROPERTY OF  
KEYSTONE ELECTRONICS CORP. AND  
SHALL NOT BE REPRODUCED, DISTRIBUTED  
OR USED AS A BASIS FOR MANUFACTURE  
WITHOUT PRIOR WRITTEN PERMISSION  
FROM KEYSTONE ELECTRONICS CORP.



PART NO.	COLOR
1487L	BLUE
1487R	RED
1487B	BLACK

NOTES:

1. HOUSING: POLYPROPYLENE, 30% GLASS FILLED
2. SHELL: BRASS, GOLD PLATE
3. CONTACT: MT'L- BERYLLIUM COPPER GOLD PLATE
4. SLIGHT SHRINK DEPRESSION ON BOTH SIDES PERMISSIBLE

DATE	DESCRIPTION	REV.
5.08.08	CHANGE AS PER ECN 08-105	B
1.14.08	CHANGE AS PER ECN 08-048	A

KEYSTONE ELECTRONICS CORP.			
ASTORIA, N.Y. 11105-2017			
PART NAME			
MOLDED SHORTING JACK			
MATERIAL			
AS NOTED			
FINISH		DRN BY	DATE
AS NOTED		NT	10.26.07
		APP'D	SCALE
		LN	4X
TOLERANCES	INCH [MM]	CODE	DWG NO.
DECIMAL	$\pm .005$ [ $\pm 0.15$ ]	C	1487-
ANGULAR	$\pm 1^\circ$		
UNLESS OTHERWISE SPECIFIED			