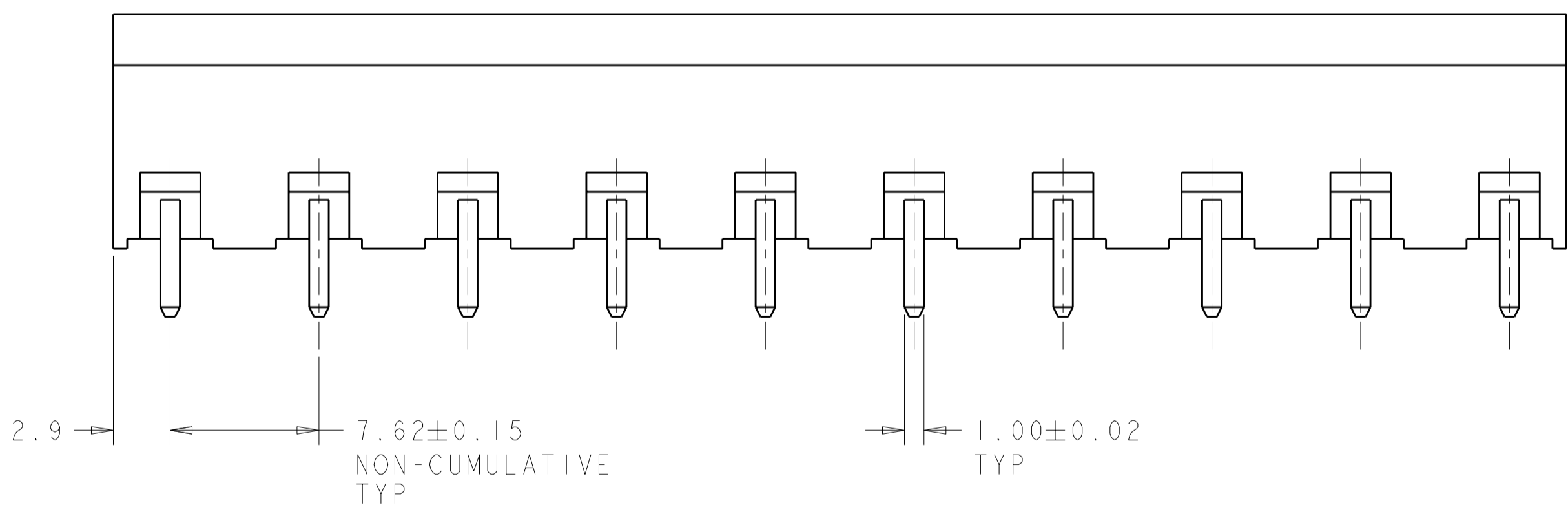
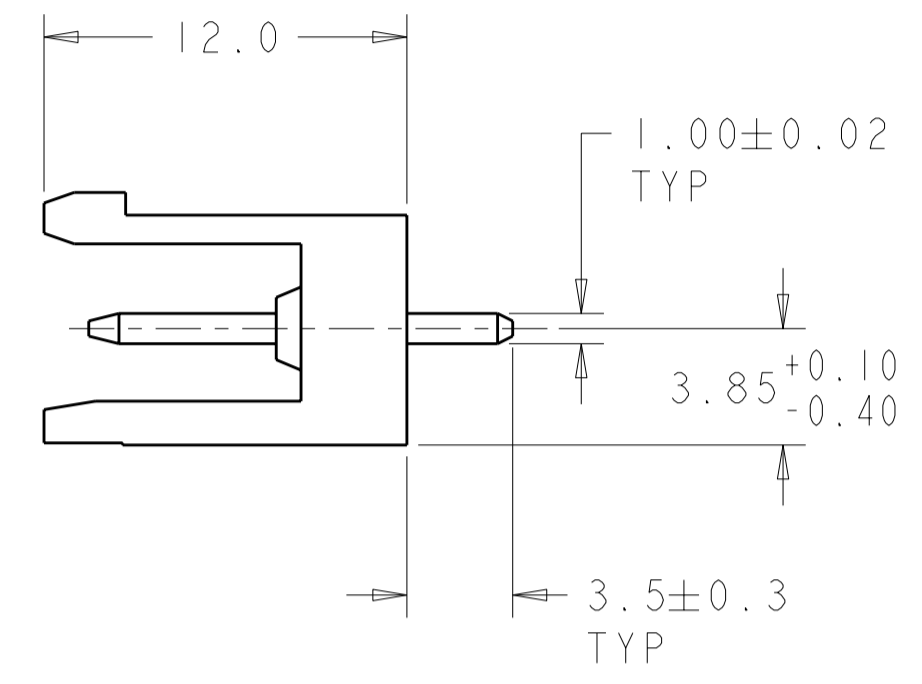
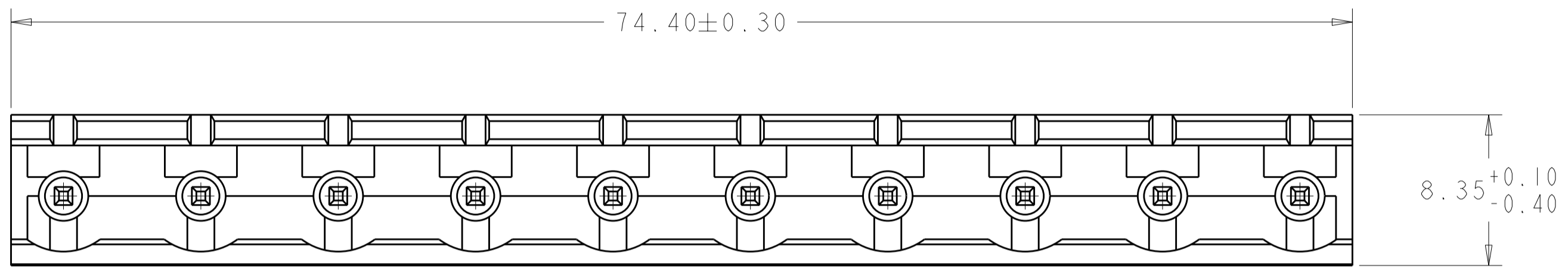
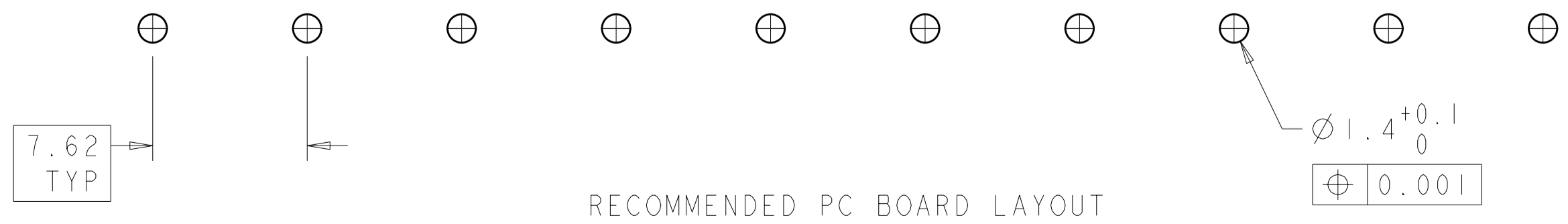


THIS DRAWING IS UNPUBLISHED. RELEASED FOR PUBLICATION 20
 © COPYRIGHT 20 BY TYCO ELECTRONICS CORPORATION. ALL RIGHTS RESERVED.

LOC	DIST	REVISIONS			
P	LTR	DESCRIPTION	DATE	DWN	APVD
	O	PRELIMINARY EC 063B-0429-04	06JUL2004	SW	CR
	A	RELEASED ECO-06-004058	21FEB2006	SW	CR
	AI	REVISED ECO-06-013885	13JUN2006	SW	CR



- △ MATERIALS AND FINISH
 HOUSING: PA 4-6, 30% GLASS FILLED, UL 94-V0, COLOR: BLACK.
 TERMINAL: PHOSPHOR BRONZE, TIN PLATED.
- SUITABLE FOR 1,6-2,4mm PC BOARD THICKNESS.
 - END-TO-END STACKABLE WITHOUT LOSS OF CENTERLINE SPACING.
 - RECOGNIZED UNDER THE COMPONENT PROGRAM OF UNDERWRITERS LABORATORIES INC. FILE N° E60677.
 - IMQ CERTIFICATE WITH SURVEILLANCE IN CONFORMITY WITH IEC 998-1/998-2-1.
 - LOGOS TO BE LOCATED ON PART WHERE SPACE PERMITS.



RECOMMENDED PC BOARD LAYOUT

10	1-1776085-0
NO OF POSN	PART NUMBER

THIS DRAWING IS A CONTROLLED DOCUMENT FOR TYCO ELECTRONICS CORPORATION. IT IS SUBJECT TO CHANGE AND THE CONTROLLING ENGINEERING ORGANIZATION SHOULD BE CONTACTED FOR THE LATEST REVISION.		DWN S. WELDON 06JUL2004	Tyco Electronics Harrisburg, PA 17105-3608	
DIMENSIONS: mm		CHK C. RICHARD 06JUL2004	NAME TERMINAL BLOCK HEADER ASSEMBLY 180 DEGREE, OPEN ENDS, STACKING 7.62mm PITCH	
TOLERANCES UNLESS OTHERWISE SPECIFIED: 0 PLC ± 1 PLC ±.2 2 PLC ±.25 3 PLC ± 4 PLC ± ANGLES ±2 FINISH		APVD C. RICHARD 06JUL2004	PRODUCT SPEC 108-20166	
MATERIAL		APPLICATION SPEC 114-20079	RESTRICTED TO	
△ -		WEIGHT -	SIZE A2	CAGE CODE 00779
		CUSTOMER DRAWING	DRAWING NO 1776085	SCALE 3:1
			SHEET 1	OF 1
			REV AI	