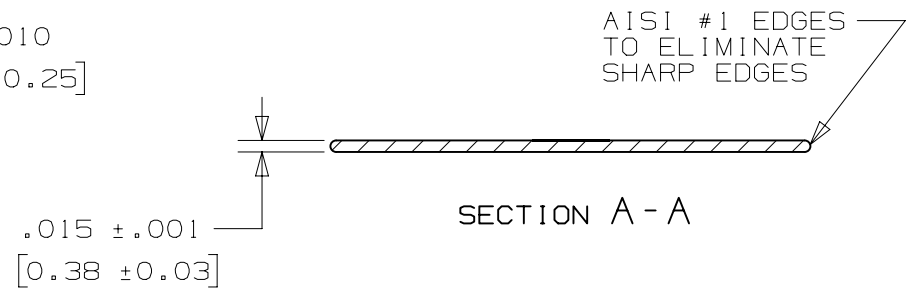
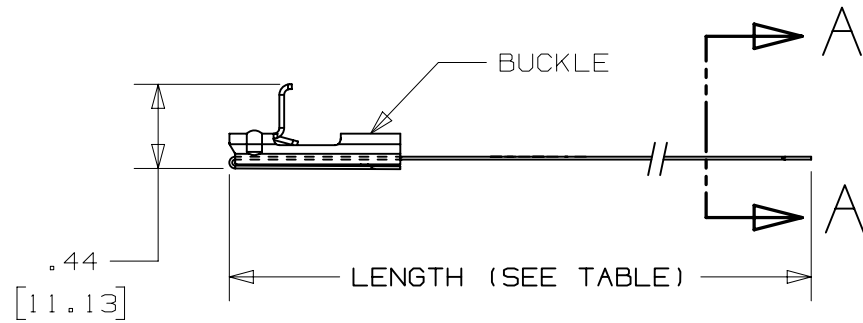
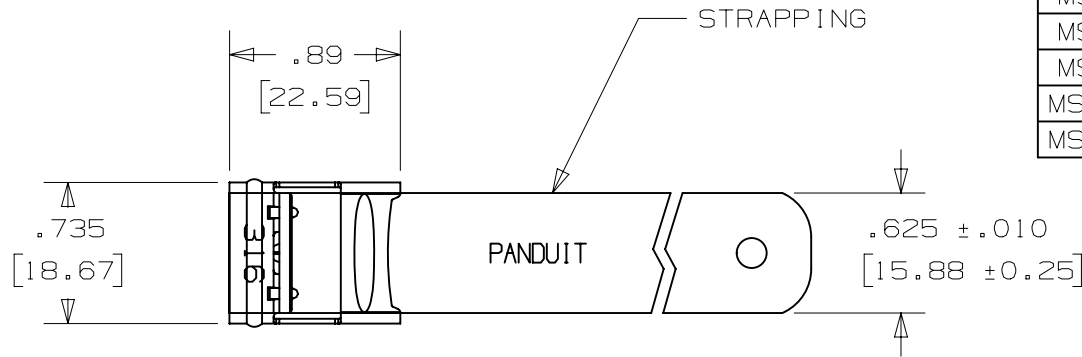


THIS COPY IS PROVIDED ON A RESTRICTED BASIS AND IS NOT TO BE USED IN ANY WAY DETRIMENTAL TO THE INTERESTS OF PANDUIT CORP.

PART NO.	MATERIAL	MAX. BUNDLE DIA [ mm ]	LENGTH ±.1 [ 2 ]
MS4W63T15-L4	304	4" [ 102 ]	18.0" [ 457 ]
MS4W63T15-L6	316		
MS6W63T15-L4	304	6" [ 152 ]	24.4" [ 620 ]
MS6W63T15-L6	316		
MS8W63T15-L4	304	8" [ 203 ]	30.7" [ 780 ]
MS8W63T15-L6	316		
MS10W63T15-L4	304	10" [ 254 ]	37.0" [ 940 ]
MS10W63T15-L6	316		



- NOTES:
1. APPLICATION TOOLS: BT2MS75, BT2HT
  2. ALL DIMENSIONS IN [ ] ARE mm.
  3. FOR MATERIAL SEE TABLE.
  4. TOLERANCES (UNLESS OTHERWISE SPECIFIED):  
 .X ± .03 [ .8 ]  
 .XX ± .02 [ .5 ]  
 .XXX ± .01 [ .25 ]

REV	DATE	BY	CHK	APR	DESCRIPTION	ECN
3	02.24.15	BDK	SKB	RGRO	UPDATED TITLE BLOCK AND BORDER	N41152BS_DC

TITLE		<b>METAL STRAPPING .625 [15.88] WIDE</b>		
CUSTOMER DRAWING				
ITEM REVISION NAME	N41152BS/03		<b>PANDUIT</b>	
DATASET FILE NAME	N41152BS/03			
UNLESS OTHERWISE SPECIFIED, DIMENSIONAL TOLERANCES ARE: IN [ mm ]			MATERIAL:	
.x ± .1 [ 2.54 ]      .xxx ± .005 [ .127 ]			SEE NOTES	
.xx ± .01 [ .25 ]      ANGLES ± 5 °			DRAWING NUMBER:	
			N41152BS_DC	
DRAWN BY	DATE	CHK	SCALE	SIZE
BRH	9/03	EJD	FULL	A
SHT 1 OF 1				