


**SK 35-D**

Order No.: 3026890

<http://eshop.phoenixcontact.de/phoenix/treeViewClick.do?UID=3026890>

Shield connection terminal block, for applying the shield directly to the  
conductive mounting plates

Commercial data	
GTIN (EAN)	 4 017918 876661
Note	Made-to-order
sales group	A502
Pack	10 pcs.
Customs tariff	85369010
Catalog page information	Page 678 (CL-2009)

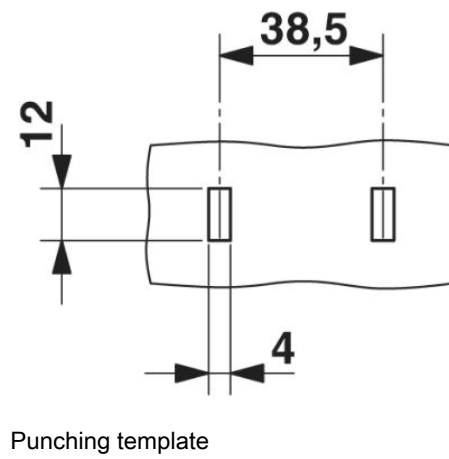
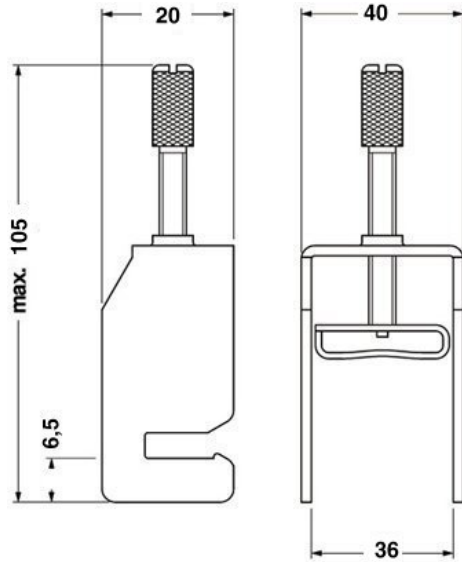
## Product notes

WEEE/RoHS-compliant since:  
11/09/2005

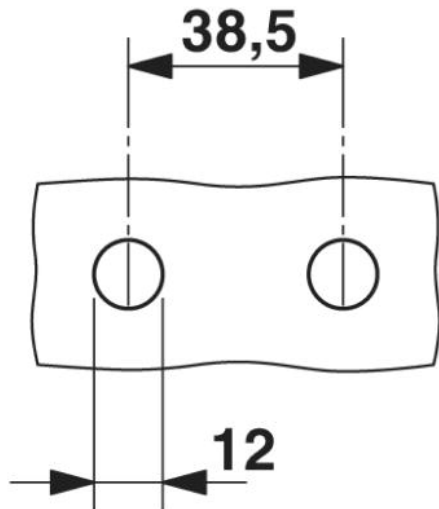
<http://www.download.phoenixcontact.com>  
Please note that the data given here has been taken from the online catalog. For comprehensive information and data, please refer to the user documentation. The General Terms and Conditions of Use apply to Internet downloads.

## Diagrams/Drawings

Dimensioned drawing



Drilling diagram



SK 35-D Order No.: 3026890

<http://eshop.phoenixcontact.de/phoenix/treeViewClick.do?UID=3026890>

---

**Address**

PHOENIX CONTACT Deutschland GmbH  
Flachmarktstr. 8  
32825 Blomberg, Germany  
Phone +49 5235 3 12000  
Fax +49 5235 3 41200  
<http://www.phoenixcontact.de>



© 2011 Phoenix Contact  
Technical modifications reserved;