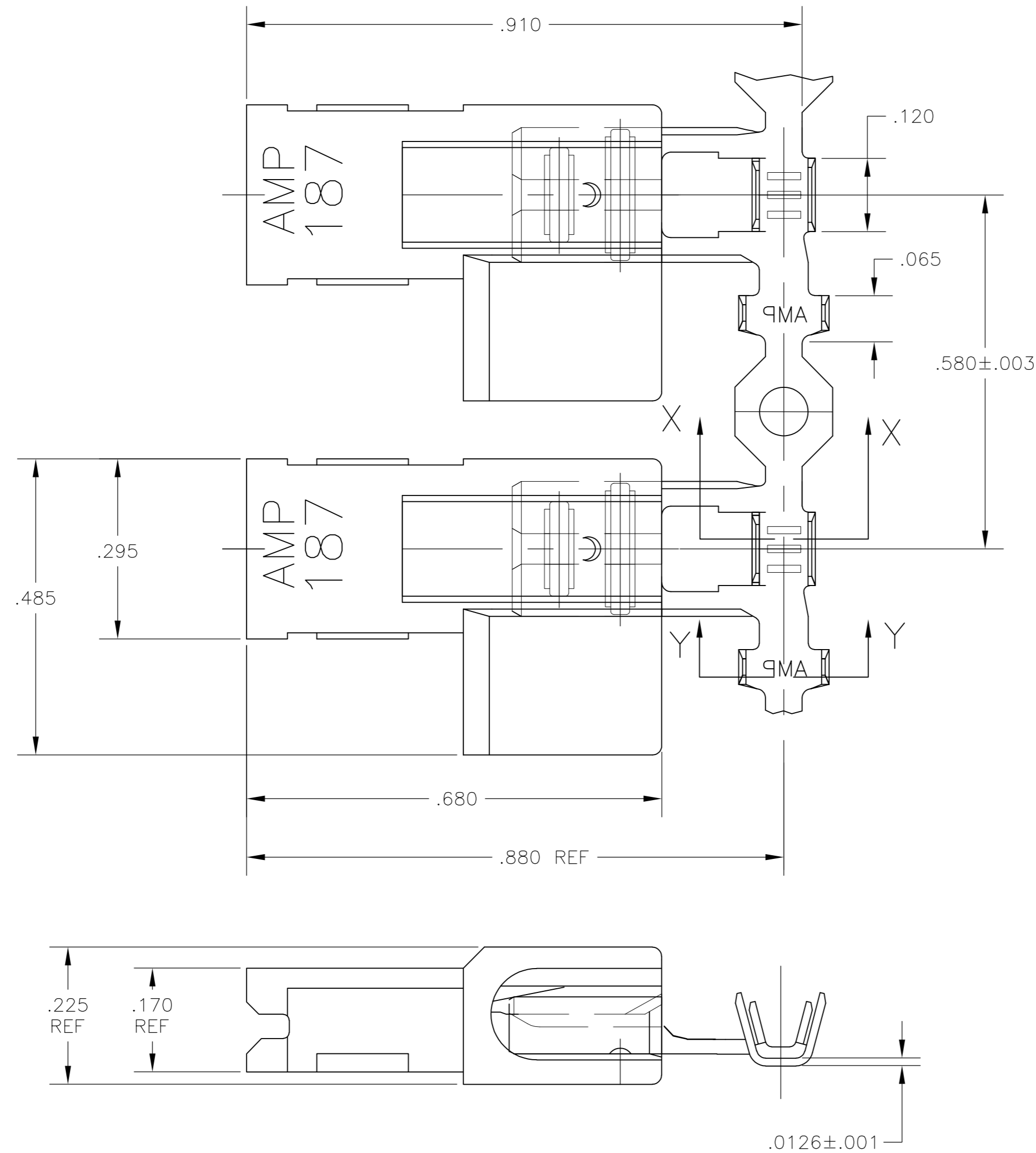
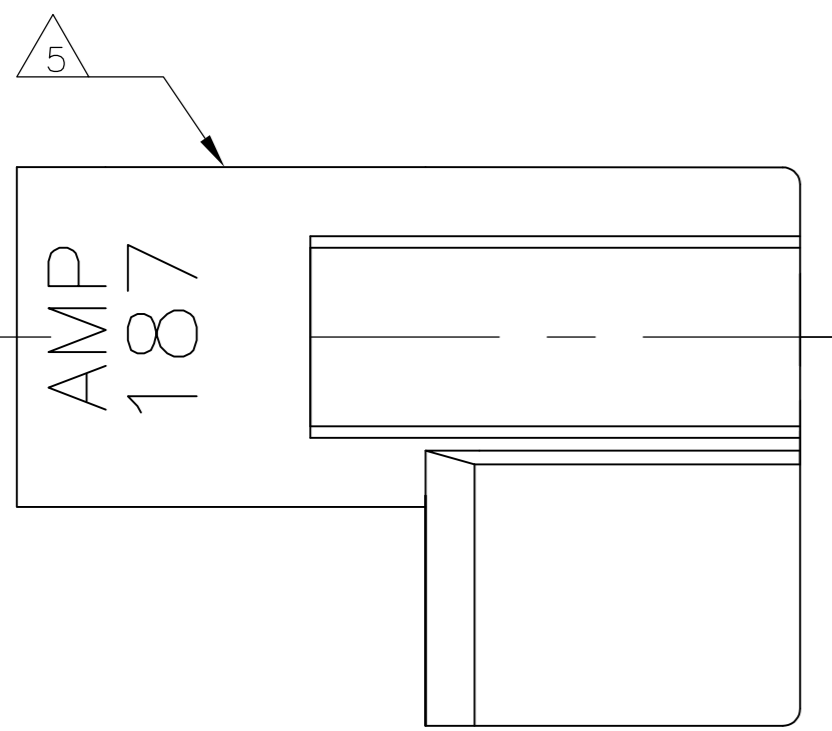
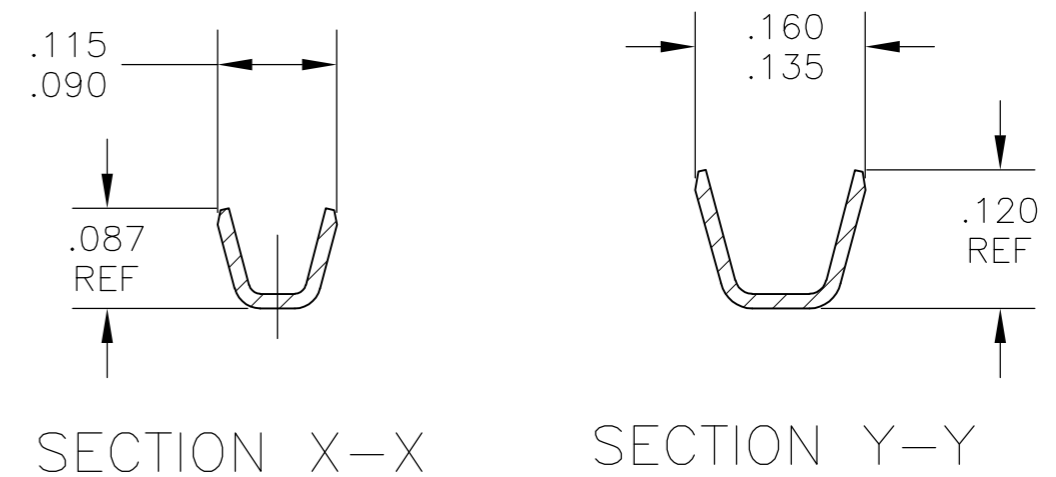


THIS DRAWING IS UNPUBLISHED. RELEASED FOR PUBLICATION
 © COPYRIGHT BY TYCO ELECTRONICS CORPORATION. ALL INTERNATIONAL RIGHTS RESERVED.

LOC		DIST		REVISIONS			
P	LTR	DESCRIPTION		DATE	DWN	APVD	
AF	50	D2	REVISED PER ECR-10-005258	09MAR10	JR	GP	



- 1 WIRE SIZE IS #22-#18 AWG
- 2 INSULATION RANGE IS .060-.110 DIA
- 3 MATERIAL;
TERMINAL: SEE TABLE
HOUSING: 6/6 NYLON, V2, NATURAL COLOR
- 4 FITS .187 X .032±.001 THK FASTON TAB
- 5 ALTERNATIVE HOUSING FORM
- 6 PREPRODUCTION - FASR REQUIRED.
- 7 PRELIMINARY - NOT FOR PRODUCTION



PHOS BRONZE	TIN PLATE	7	521598-3
BRASS	TIN PLATE	6	521598-2
BRASS	NO PLATING	6	521598-1
TERMINAL MATERIAL	TERMINAL: FINISH	PART NO.	

THIS DRAWING IS A CONTROLLED DOCUMENT.		DWN	JR RUTH	30JUL03	Tyco Electronics Corporation Harrisburg, PA 17105-3608
DIMENSIONS: INCHES		CHK	J HUMMEL	24JUL03	
TOLERANCES UNLESS OTHERWISE SPECIFIED:		APVD	KRISTY YI	24JUL03	
0 PLC ± - 1 PLC ± - 2 PLC ± - 3 PLC ± .010 4 PLC ± - ANGLES ± - FINISH SEE NOTES		PRODUCT SPEC	NAME		
MATERIAL SEE NOTES		APPLICATION SPEC	ASSEMBLY, RECPT, FLAG, ULTRA-POD, .187 SERIES 22-18 AWG		RESTRICTED TO
CUSTOMER DRAWING		WEIGHT	-	SIZE	A2
		SCALE	6:1	CAGE CODE	00779
		DRAWING NO	521598		REV
		SHEET	1 of 1	REV	D2