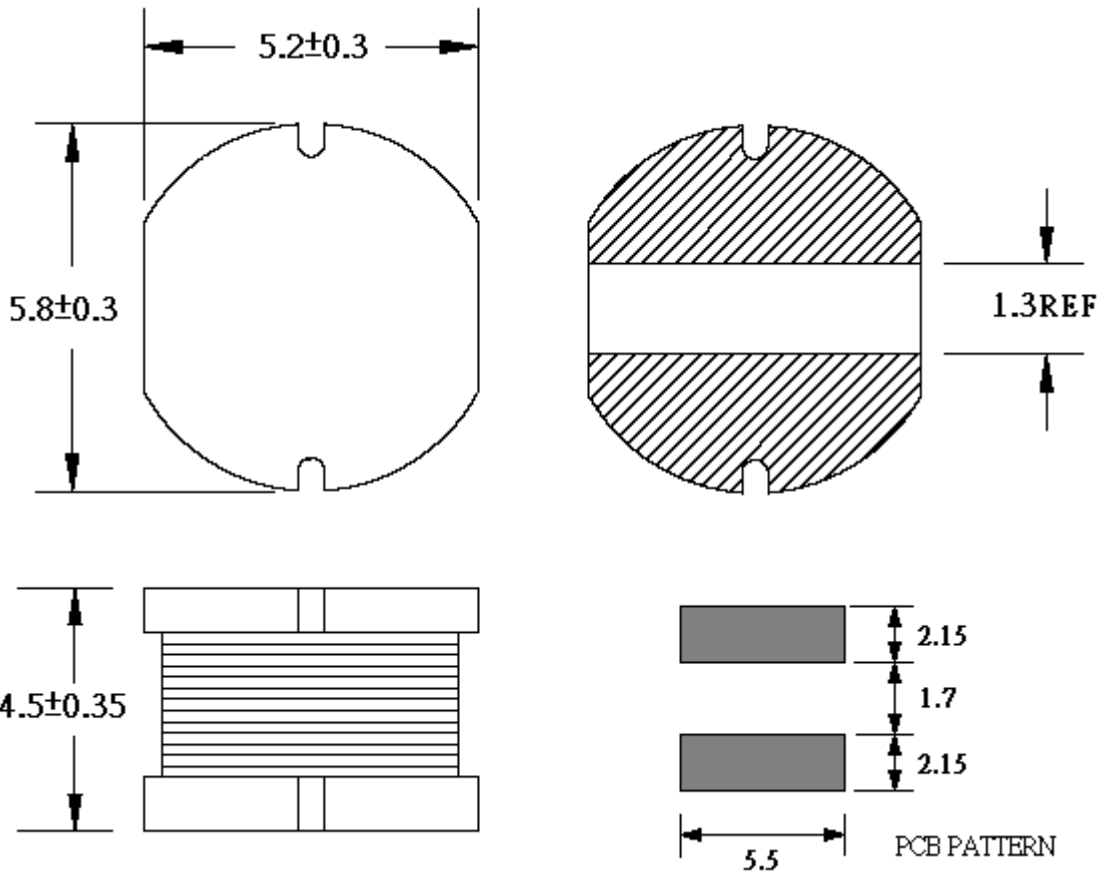


TCK-059



All dimensions in mm

SPECIFICATIONS

Inductance	$2.2 \mu\text{H} \pm 20\%$
	Test Condition: 1KHz/1000mV Measurement Instrument: HP 4263B LCR Meter
Impedance	DCR(Max): $25 \text{ m}\Omega$
	Measurement Instrument: Agilent 34401A Meter
Rated current	IDC(Max): 3.8A
	Measurement Instrument: Agilent 34401A Meter