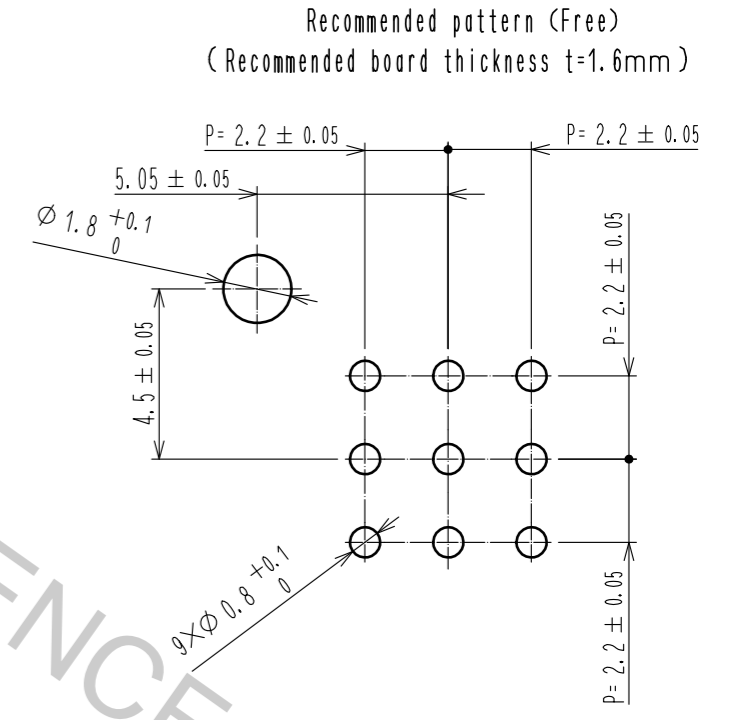
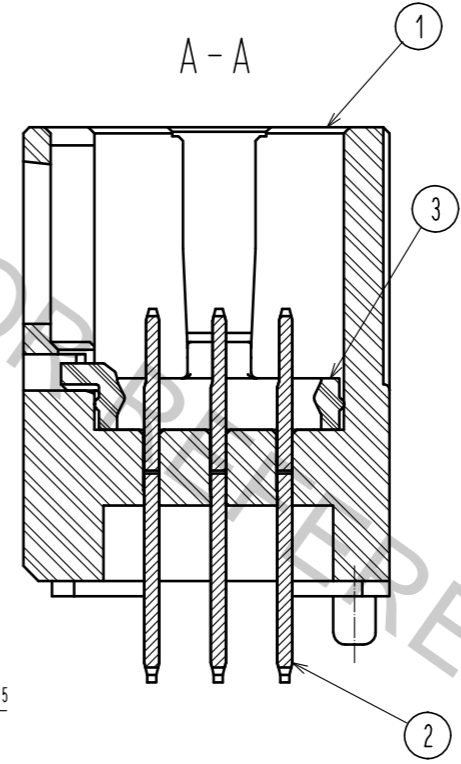
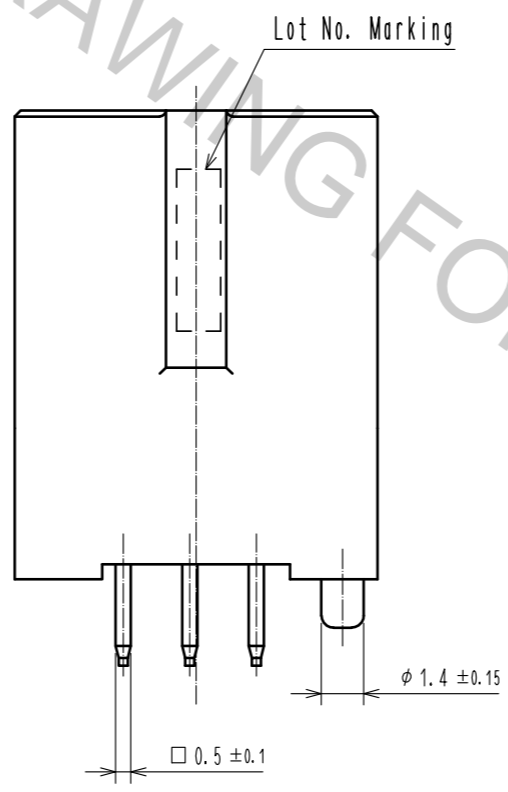
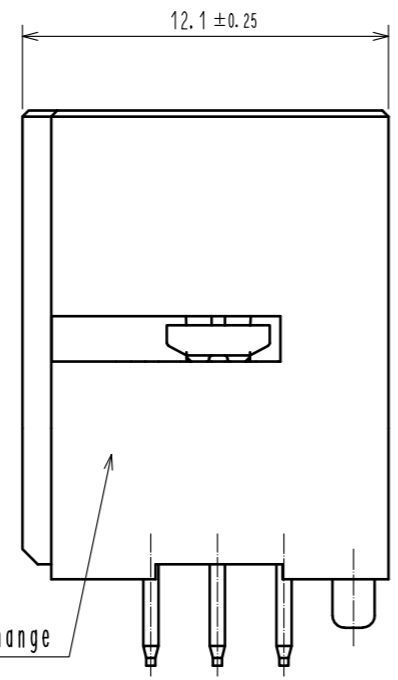
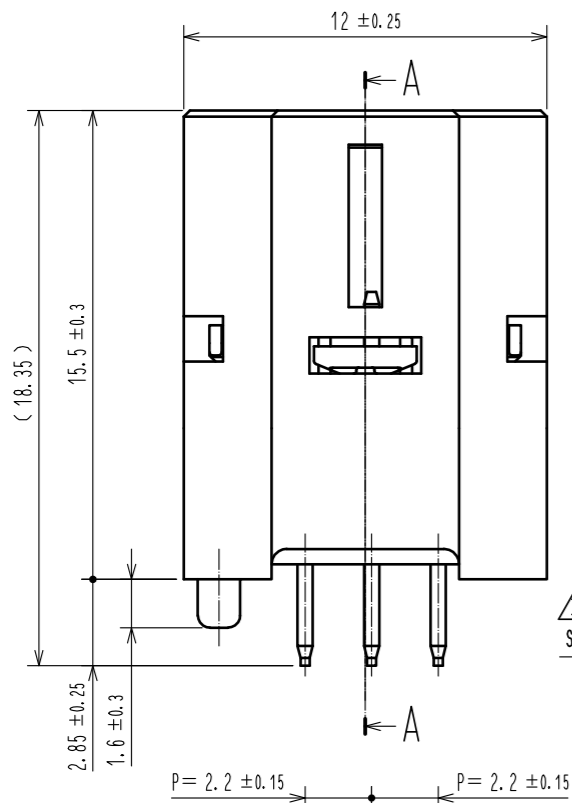
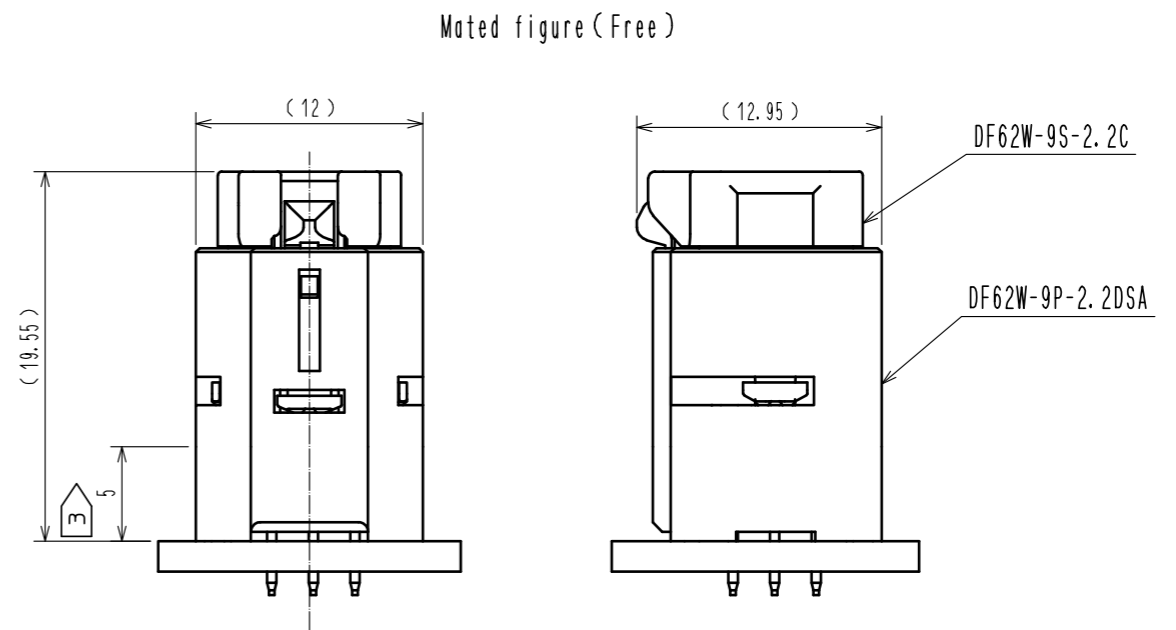
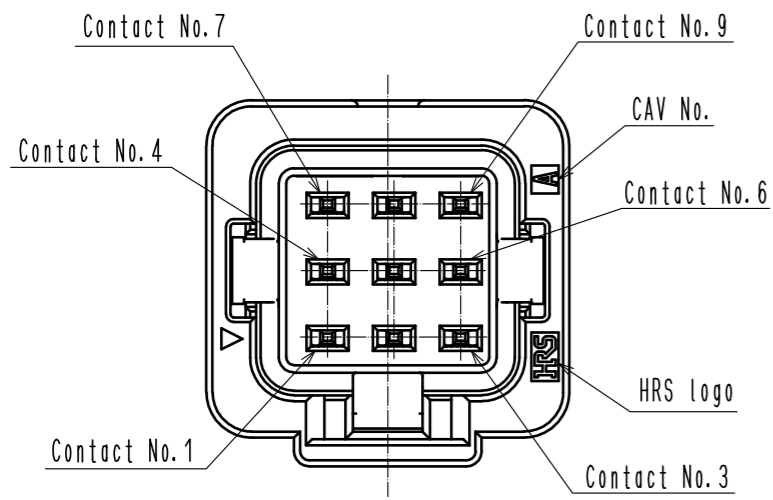


Aug.1.2018 Copyright 2018 HIROSE ELECTRIC CO., LTD. All Rights Reserved.
 In case that the application demands a high level of reliability, such as automotive,
 please contact a company representative for further information.

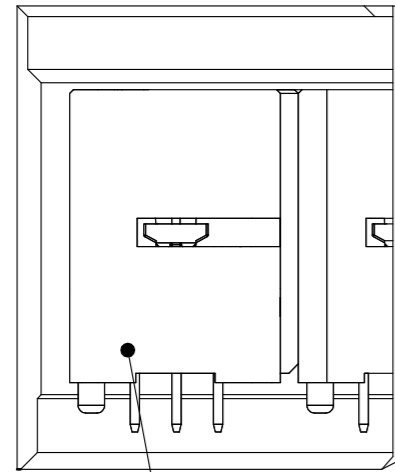


Notes 1. Max 200 pcs./ tray. Sales unit:200 pcs.
 2. The dimintions in parenthesis are for reference.
 3 Potting height : 5mm MAX.

4	PS	Tray, White
3	Silicone rubber	Bengara
2	Phosphor bronze	Contact area : AuP0.2μm min. DIP area : SnP1μm min. Others : NiP0.5μm min.
1	PBT-M	UL94V-0(Black)
NO.	MATERIAL	FINISH . REMARKS

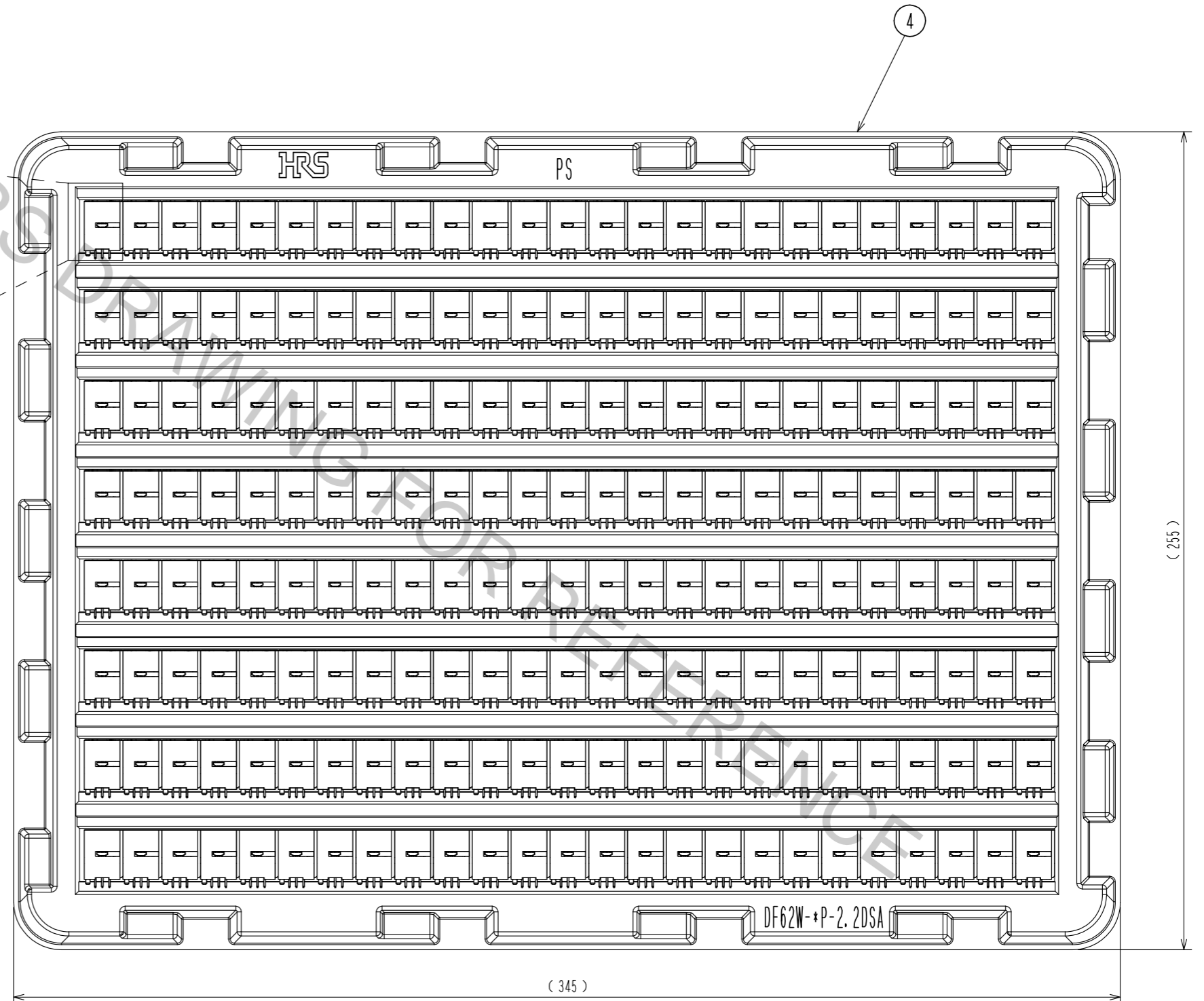
UNITS mm		SCALE 4 : 1	COUNT 1	DESCRIPTION OF REVISIONS DIS-H-00002163	DESIGNED SZ. ONO	CHECKED YN. TAKASHITA	DATE 16.10.06
HRS HIROSE ELECTRIC CO., LTD.		APPROVED : KI. AKIYAMA	16.04.12	DRAWING NO.	EDC-364589-01-00		
		CHECKED : YN. TAKASHITA	16.04.11	PART NO.	DF62W-9P-2.2DSA(01)		
		DESIGNED : TO. HORII	16.04.11	CODE NO.	CL544-1024-0-01		
		DRAWN : TO. HORII	16.04.11				

Aug.1.2018 Copyright 2018 HIROSE ELECTRIC CO., LTD. All Rights Reserved.
 In case that the application demands a high level of reliability, such as automotive,
 please contact a company representative for further information.



DF62W-9P-2.2DSA

Package figure (Free)



DRAWING NO.	EDC-364589-01-00
PART NO.	DF62W-9P-2.2DSA(01)
CODE NO.	CL544-1024-0-01

3/2