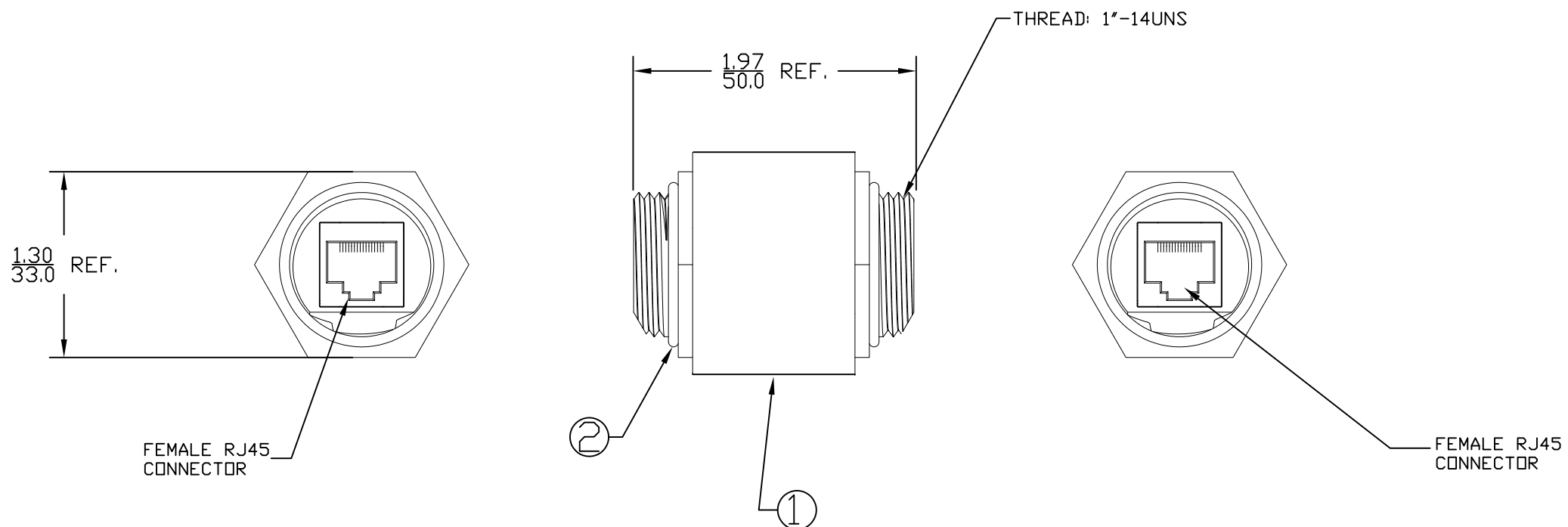
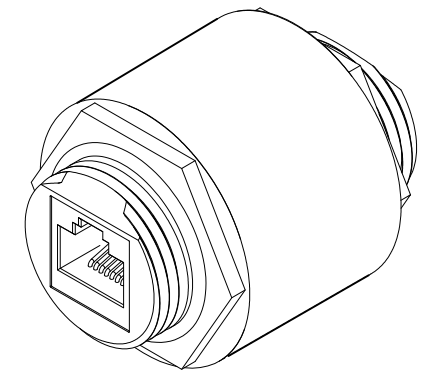


MATERIAL NUMBER	ENGINEERING NUMBER
1300580057	RJBG16821



- NOTES:
- 1) MATERIAL: SEE TABLE
  - 2) FINISHES: SEE TABLE
  - 3) ELECTRICAL DATA:  
VOLTAGE RATING: 30V DC  
CURRENT RATING: 1.5A
  - 4) ENVIRONMENTAL:  
PROTECTION IP67  
OPERATING TEMPERATURE RANGE: -20C TO 80C

2	2	O-RING	VITON	BLACK
1	1	RECEPTACLE HOUSING	DELRIN	BLACK
ITEM	QTY.	DESCRIPTION	MATERIAL	FINISH

RELEASE EC NO: WNA2010-0438 DRWN: TWOLDEGE 2010/01/19 CH'KD: BWOODMAN APPR: JFMURPHY 2010/01/25	DESCRIPTION REV	QUALITY SYMBOLS	<b>GENERAL TOLERANCES (UNLESS SPECIFIED)</b> <table border="1"> <tr> <td></td> <td>mm</td> <td>INCH</td> </tr> <tr> <td>4 PLACES</td> <td>±---</td> <td>±---</td> </tr> <tr> <td>3 PLACES</td> <td>±---</td> <td>±.005</td> </tr> <tr> <td>2 PLACES</td> <td>±0.13</td> <td>±.010</td> </tr> <tr> <td>1 PLACE</td> <td>±0.25</td> <td>±.020</td> </tr> </table>		mm	INCH	4 PLACES	±---	±---	3 PLACES	±---	±.005	2 PLACES	±0.13	±.010	1 PLACE	±0.25	±.020	DIMENSION STYLE	SCALE	DESIGN UNITS	THIRD ANGLE PROJECTION  <b>RJ-LNXX ADAPTOR RJ45 FEMALE TO FEMALE ADAPTOR</b>  <b>MOLEX INCORPORATED</b>  DOCUMENT NO. <b>SD-130058-006</b> SHEET NO. <b>1 OF 1</b>
				mm	INCH																	
		4 PLACES		±---	±---																	
		3 PLACES		±---	±.005																	
2 PLACES	±0.13	±.010																				
1 PLACE	±0.25	±.020																				
▽=0 ∇=0	IN/MM	1:1	INCH																			
	DRAWN BY DATE	TITLE																				
	CHECKED BY DATE	MATERIAL NO.																				
	APPROVED BY DATE	SEE CHART																				
		DRAFT WHERE APPLICABLE MUST REMAIN WITHIN DIMENSIONS																				
		THIS DRAWING CONTAINS INFORMATION THAT IS PROPRIETARY TO MOLEX INCORPORATED AND SHOULD NOT BE USED WITHOUT WRITTEN PERMISSION																				