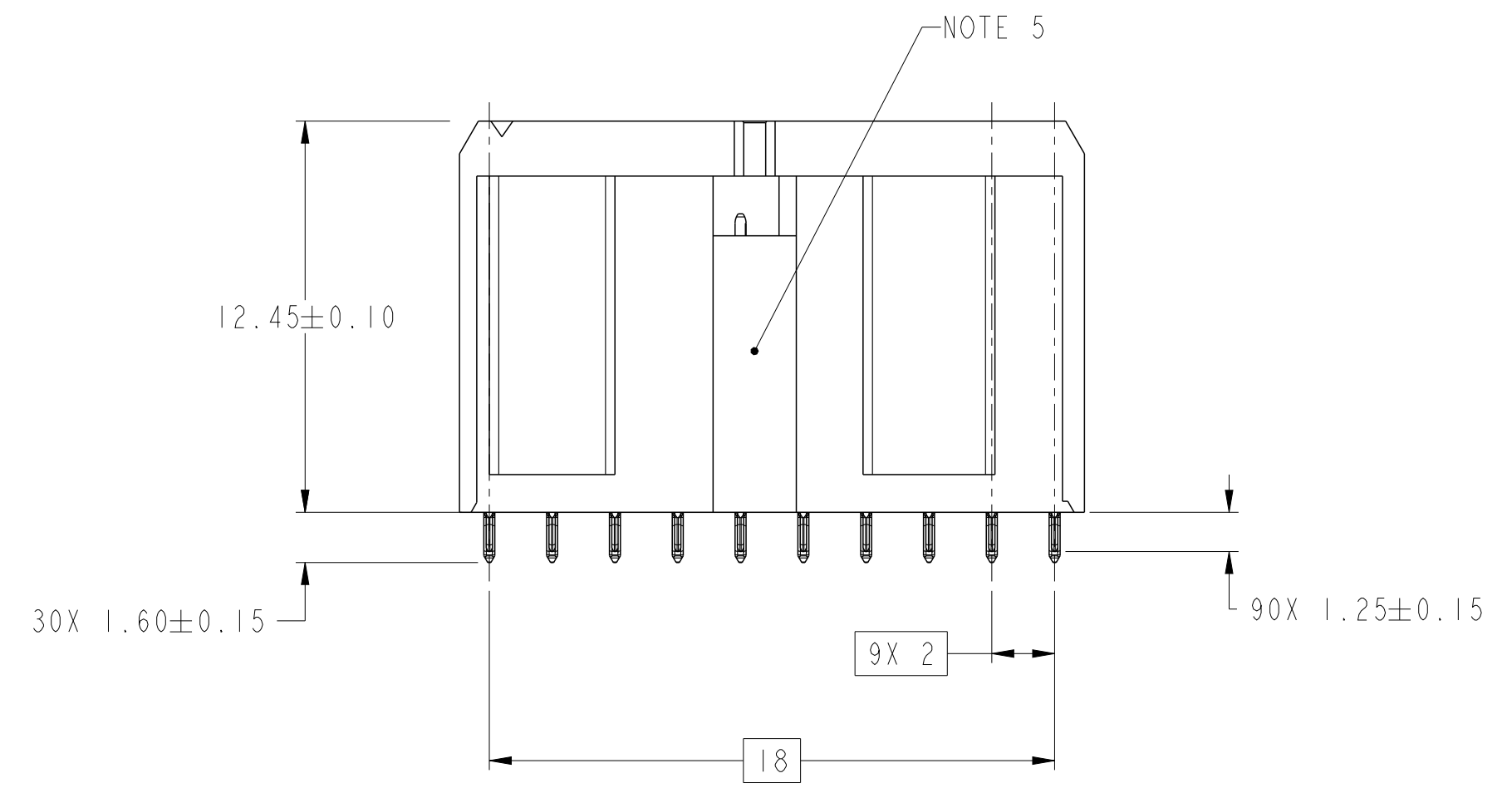
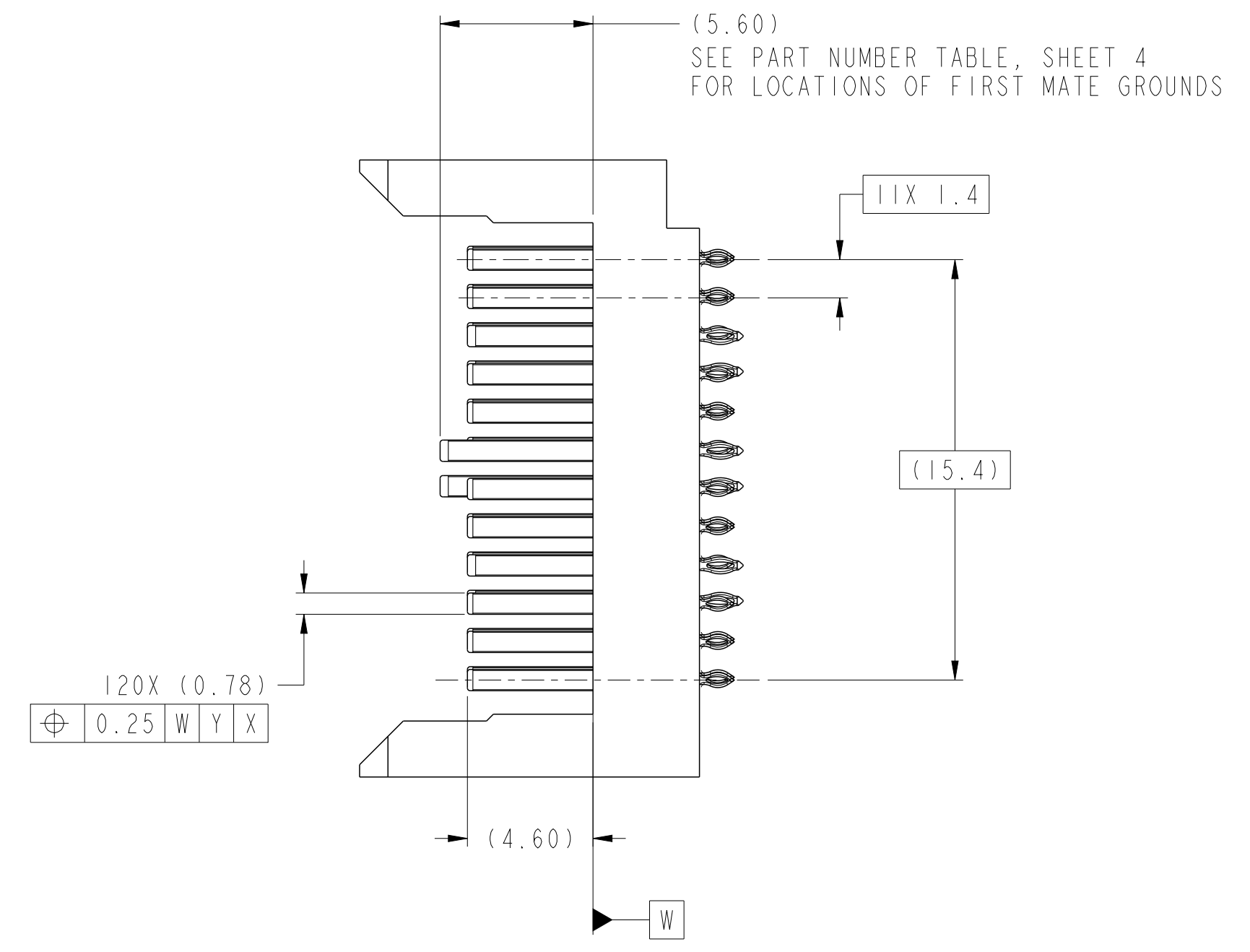
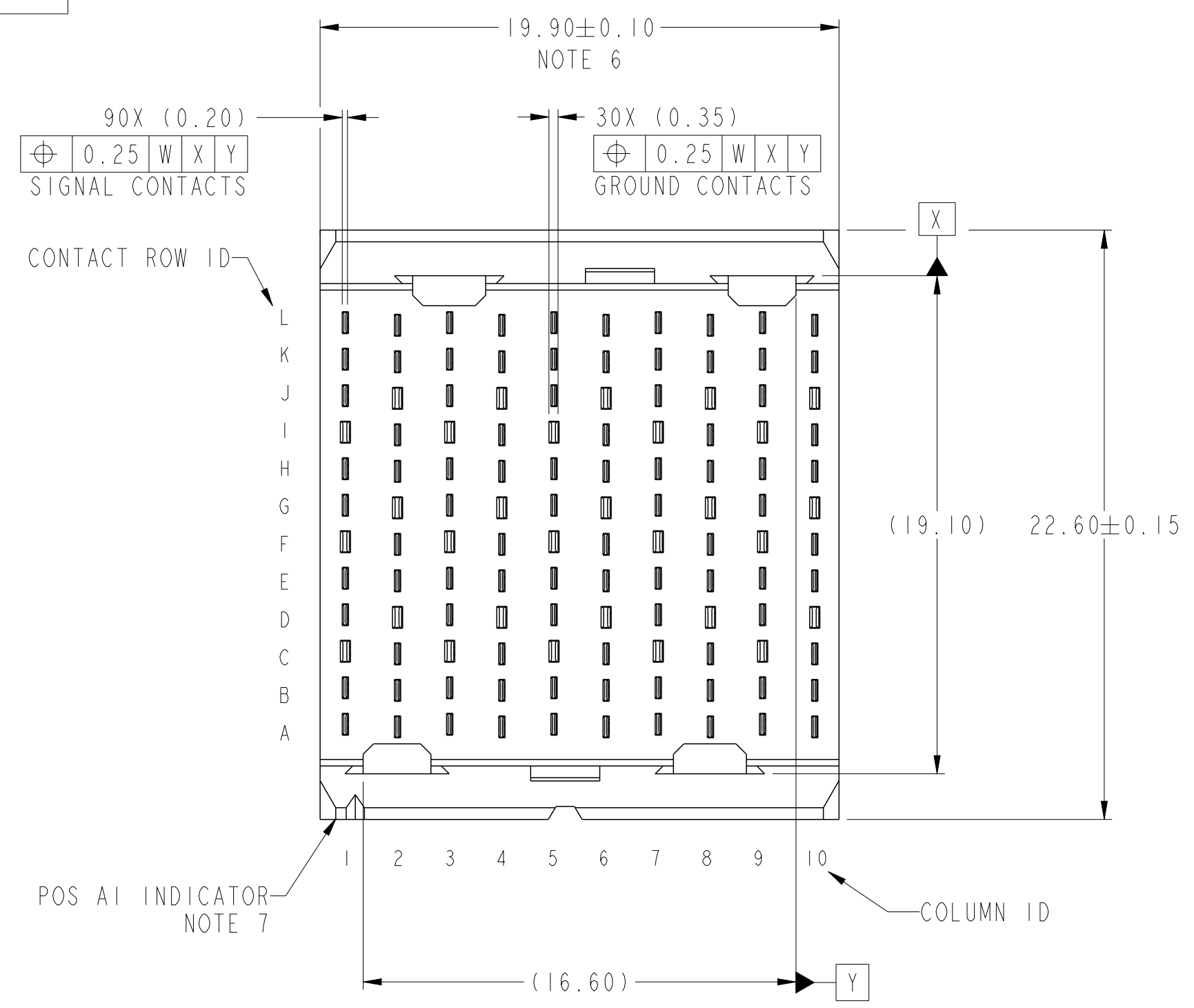


Product number
SEE TABLE, SHT 4



spec ref	-	dr	Mark Gray	2011/04/08	projection	MM	size	A2	scale	5:1		
tolerance std	ASME Y14.5	eng	Kou Xu	2014/06/05			ecn no	ELX-DG-17847-1				
TOLERANCES UNLESS OTHERWISE SPECIFIED		chr	Zhi-Guo Qiao	2014/06/23			rel level	Released				
		appr	Collins Lu	2014/06/23			product family	AIRMAX VS				
surface	✓	linear	0.X	±0.3		AIRMAX VSE VERTICAL HEADER SMALL PRESS-FIT, 120 POS, 20.0 mm	div no 10117992	rev C	cat. no.		Product - Customer Drw	sheet 1 of 4
ASME Y14.5	angular	0°	±2°	www.fci.com								

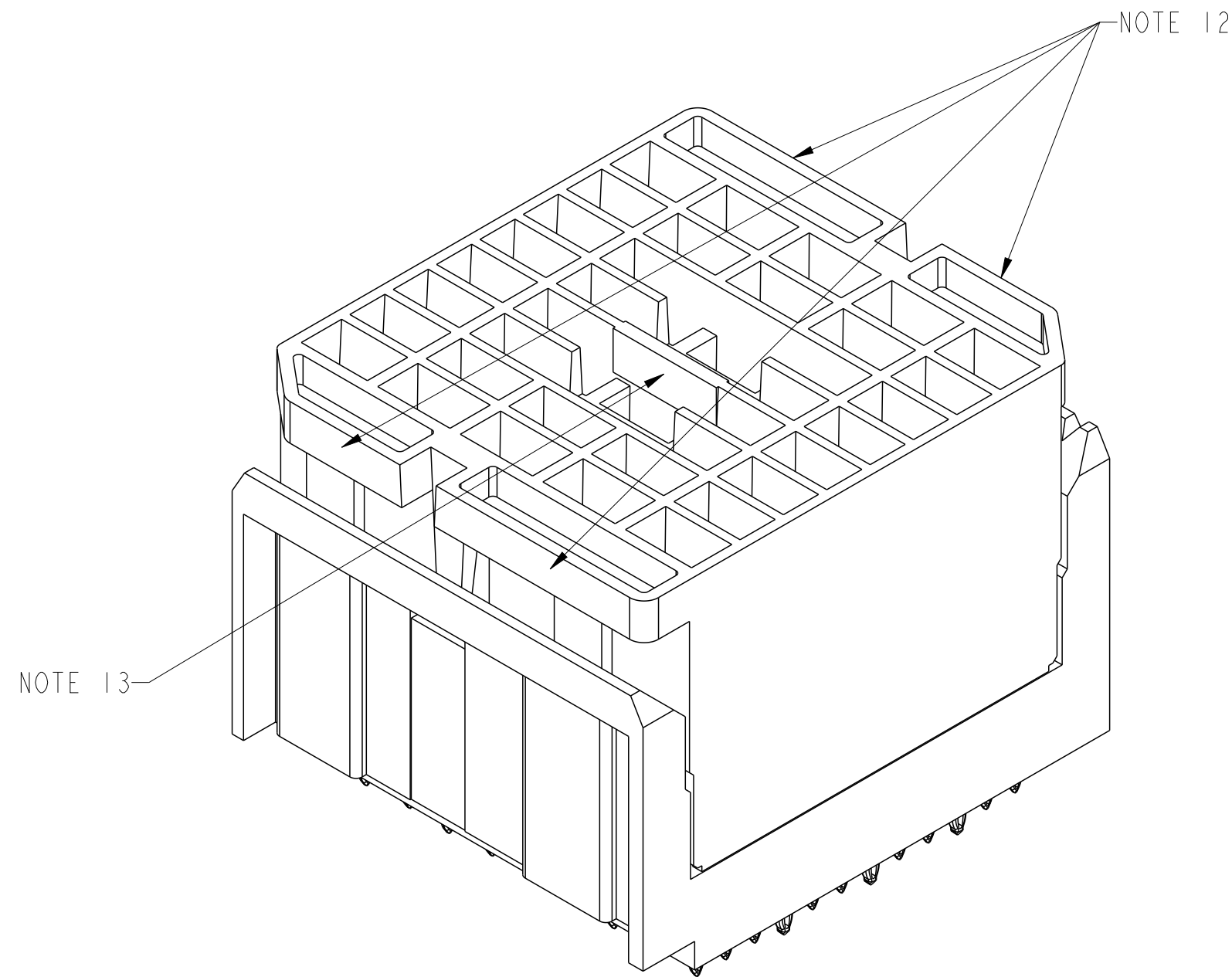
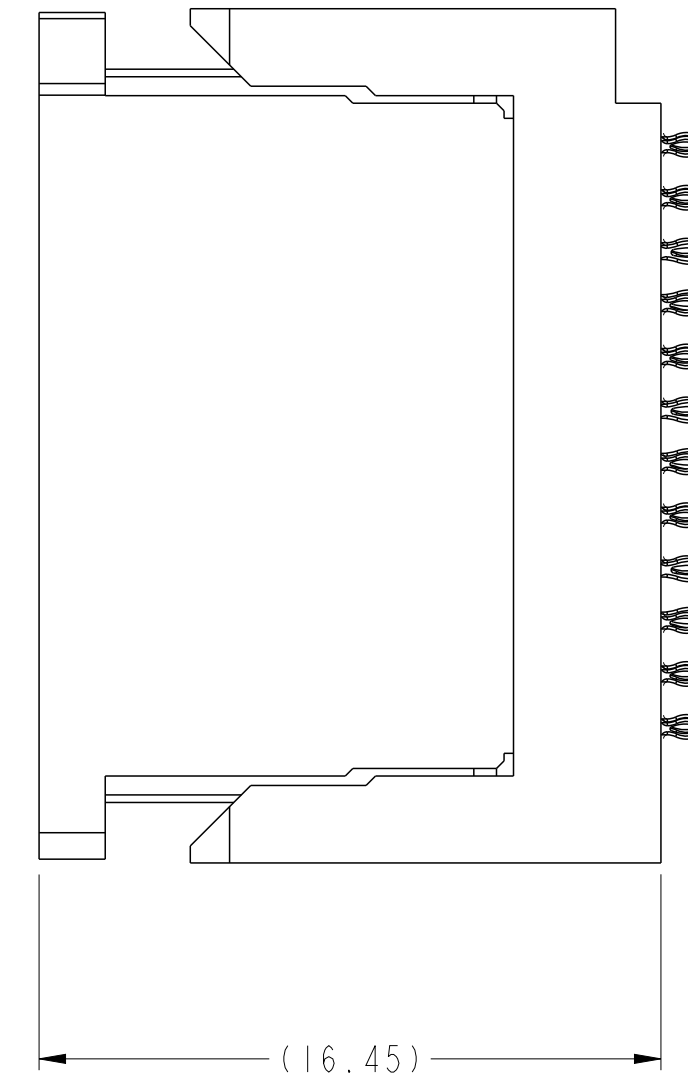
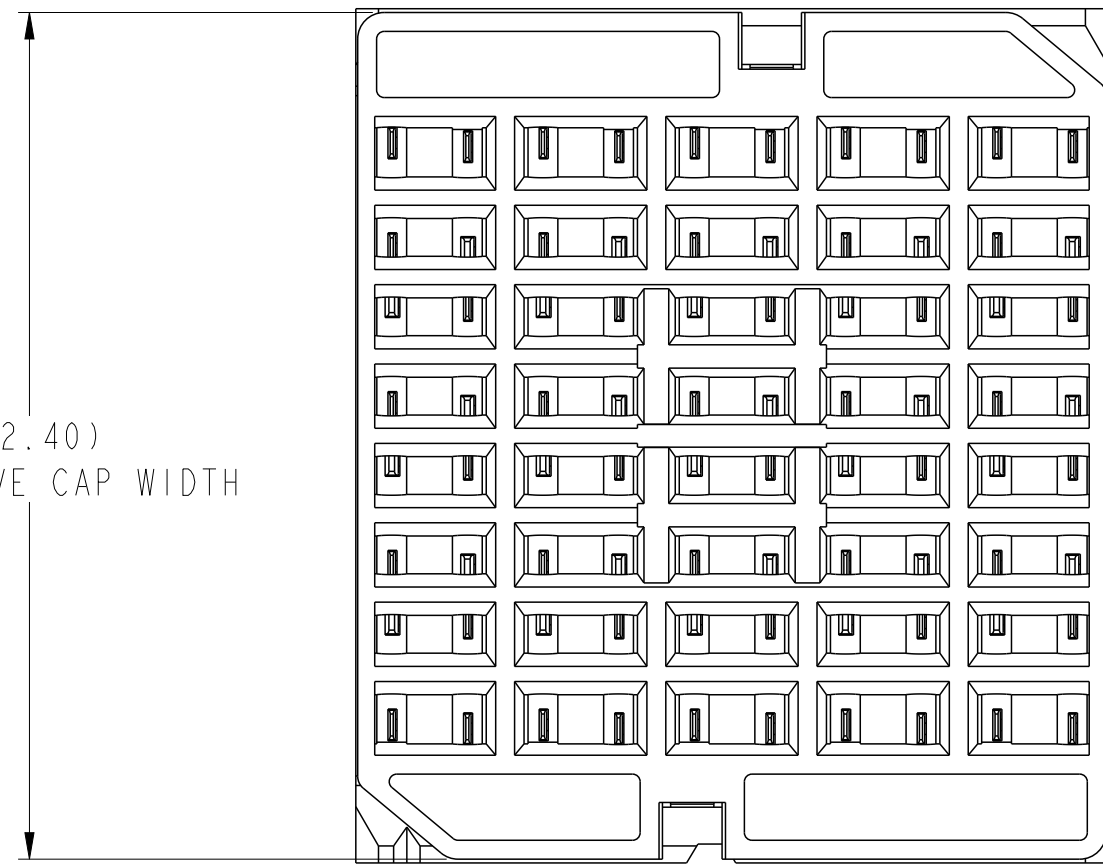
Copyright FCI.
FCI

PDS: Rev :C

STATUS:Released

Printed: Jun 24, 2014

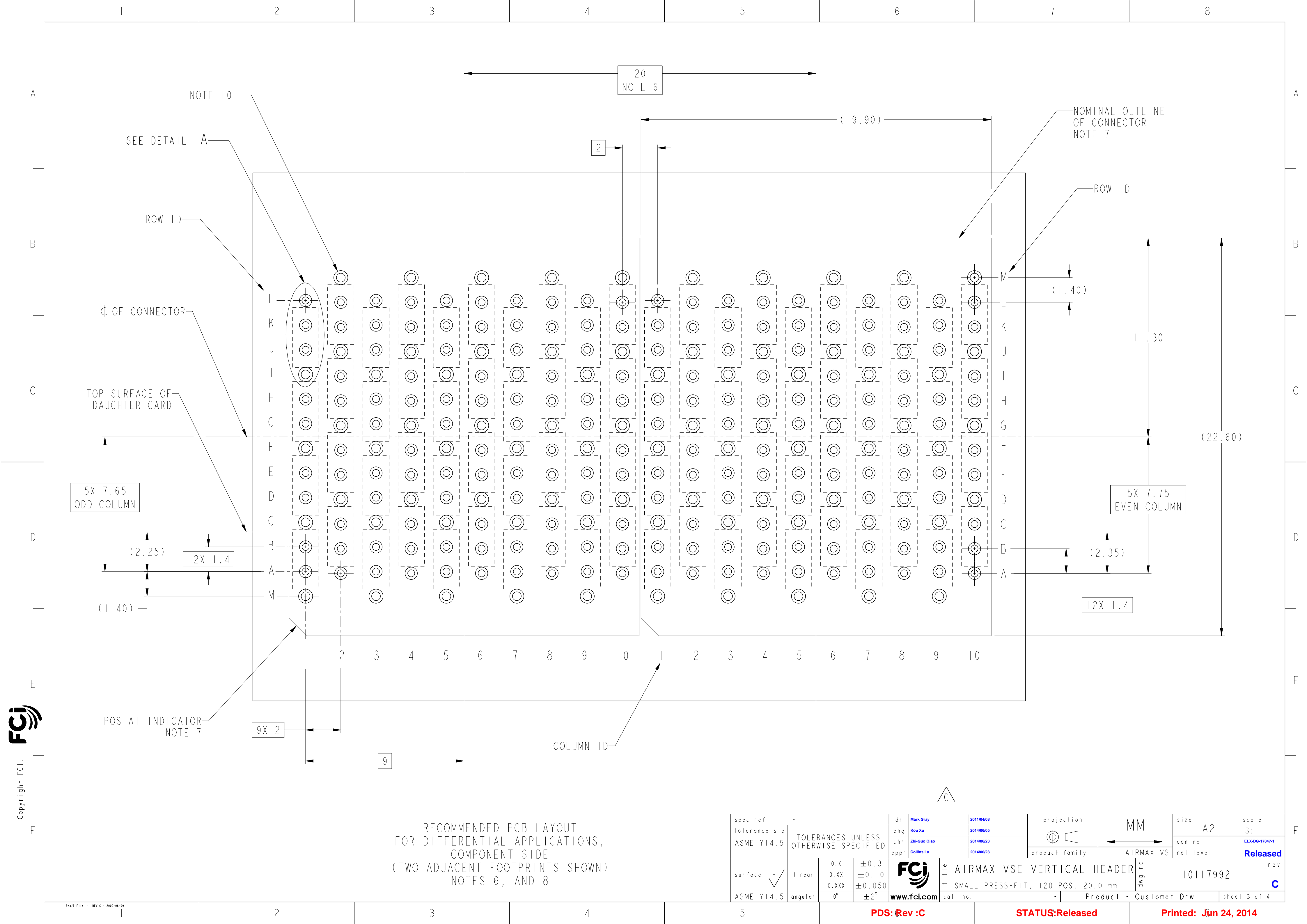
(22.40)
PROTECTIVE CAP WIDTH



VIEWS SHOWN WITH
PROTECTIVE COVER INSTALLED

spec ref	-	dr	Mark Gray	2011/04/08	projection	MM	size	A2	scale	5:1	
tolerance std	ASME Y14.5	eng	Kou Xu	2014/06/05			ecn no	ELX-DG-17847-1			
TOLERANCES UNLESS OTHERWISE SPECIFIED		chr	Zhi-Guo Qiao	2014/06/23			rel level	Released			
surface	✓	appr	Collins Lu	2014/06/23			product family	AIRMAX VS			
ASME Y14.5	linear	0.X	±0.3		FCI AIRMAX VSE VERTICAL HEADER SMALL PRESS-FIT, 120 POS, 20.0 mm	cat. no. - Product - Customer Drw	divg no	10117992		rev	C
		0.XX	±0.10				sheet 2 of 4				
	angular	0°	±2°								

Copyright FCI.
FCI



RECOMMENDED PCB LAYOUT
FOR DIFFERENTIAL APPLICATIONS,
COMPONENT SIDE
(TWO ADJACENT FOOTPRINTS SHOWN)
NOTES 6, AND 8

spec ref	-	dr	Mark Gray	2011/04/08	projection	MM	size	A2	scale	3:1		
tolerance std	ASME Y14.5	eng	Kou Xu	2014/06/05			ecn no	ELX-DG-17847-1				
TOLERANCES UNLESS OTHERWISE SPECIFIED		chr	Zhi-Guo Qiao	2014/06/23				product family	AIRMAX VS		rel level	Released
surface	✓	appr	Collins Lu	2014/06/23					cat. no.		Product - Customer Drw	sheet 3 of 4
linear	0.X ±0.3 0.XX ±0.10 0.XXX ±0.050			TITLE AIRMAX VSE VERTICAL HEADER SMALL PRESS-FIT, 120 POS, 20.0 mm		REV 10117992	rev C					
angular	0° ±2°	www.fci.com		cat. no.		Product - Customer Drw		sheet 3 of 4				

PDS: Rev :C


STATUS:Released

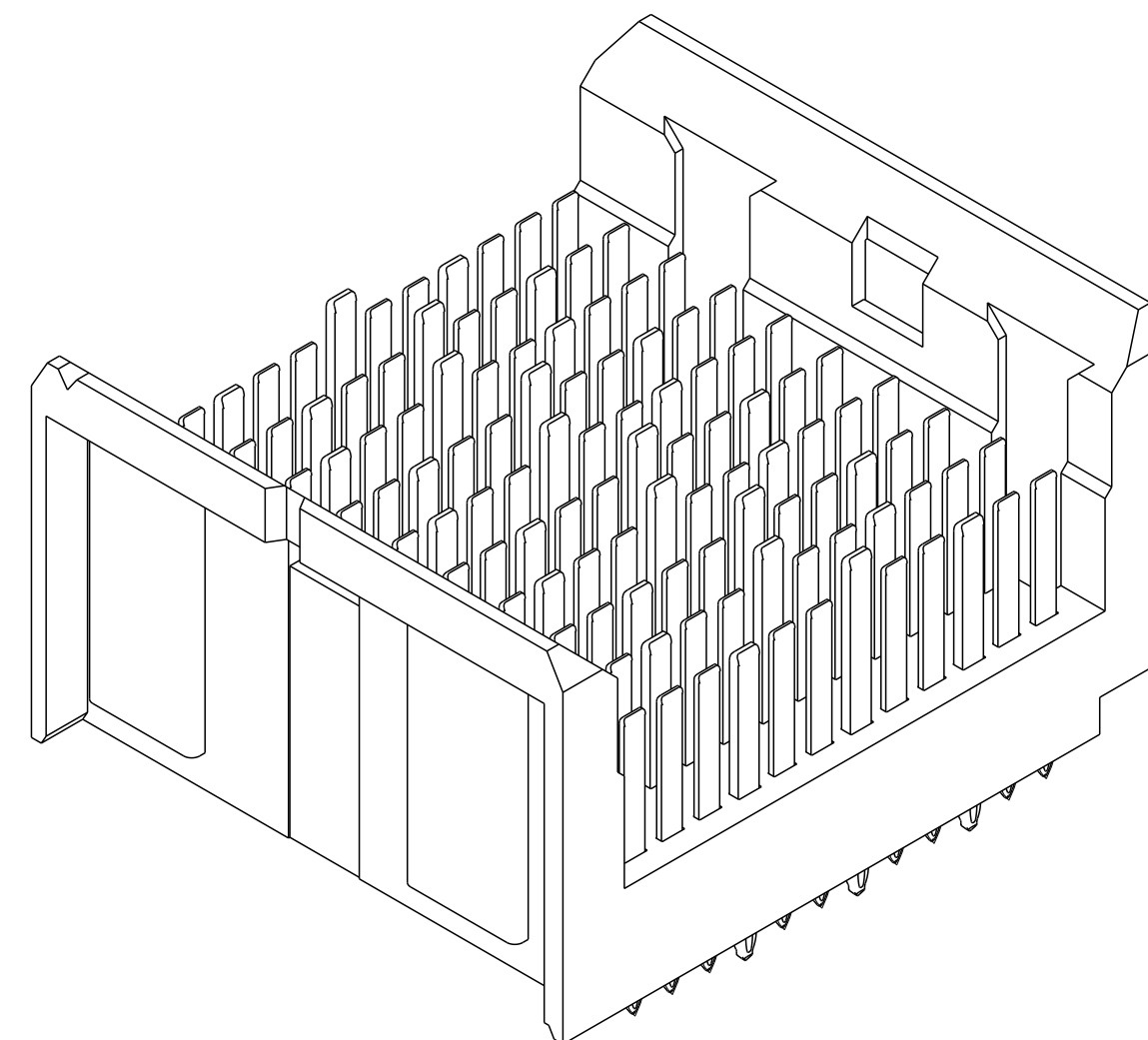
Printed: Jun 24, 2014

Copyright FCI. FCI

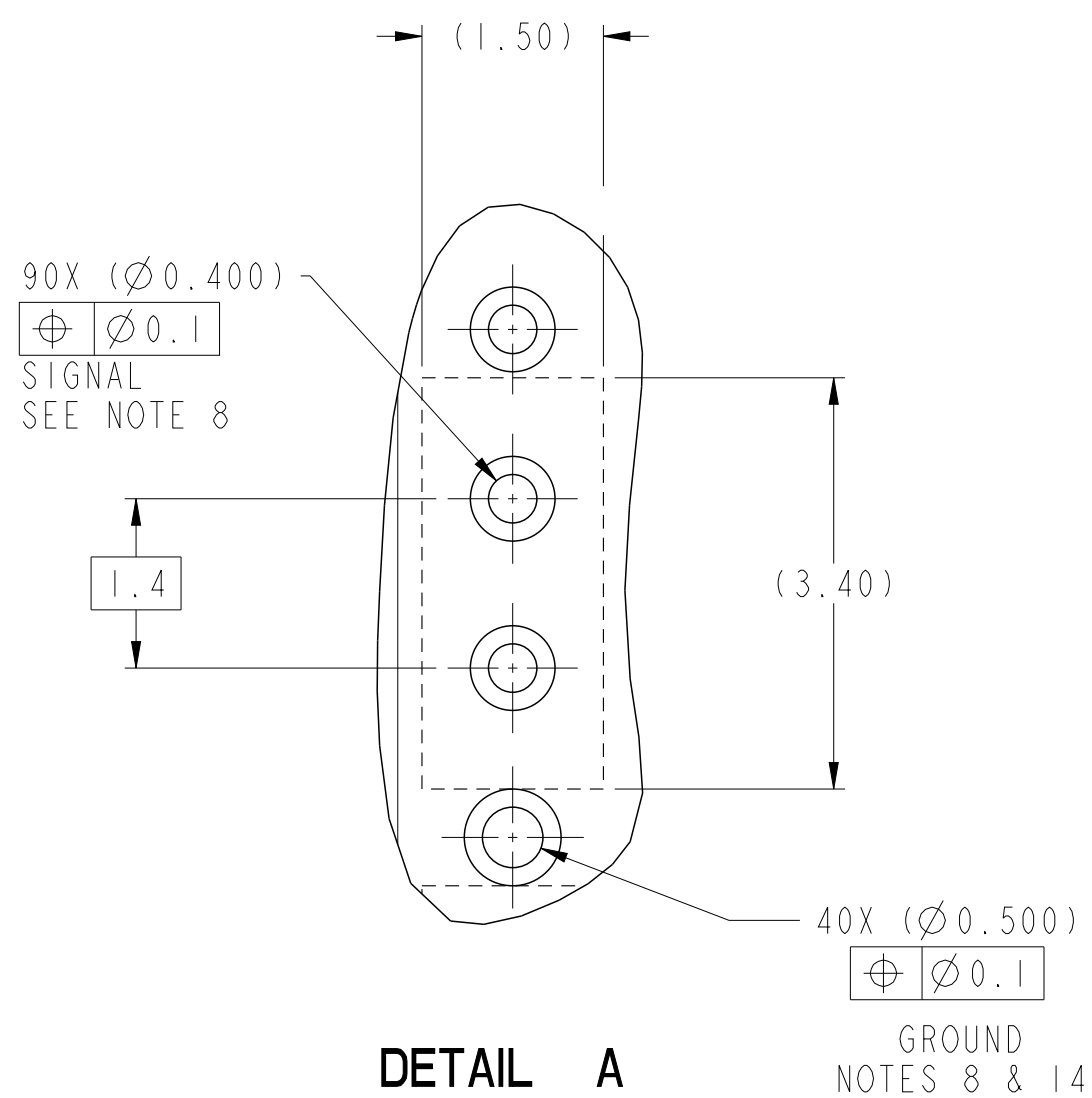
PART NUMBER	PRESS-FIT TAIL PLATING TYPE	PROTECTIVE COVER	FIRST MATE PIN LOCATIONS (5.6mm)
10117992-101LF	TIN OVER NICKEL (LEAD FREE)	YES	F1, F3, F5, F7, F9, G2, G4, G6, G8, G10




NOTES:

- CONNECTOR MATERIALS:
HOUSING: HIGH TEMP THERMOPLASTIC, BLACK, UL94V-0
CONTACT: COPPER ALLOY
- CONTACT PLATING:
SEPARABLE INTERFACE: PERFORMANCE-BASED PLATING, QUALIFIED TO MEET THE REQUIREMENTS OF FCI PRODUCT SPECIFICATION GS-12-XXX INCLUDING TELCORDIA GR-1217-CORE (NOVEMBER 1995) CENTRAL OFFICE TEST SEQUENCE
PRESS-FIT TAILS: SEE TABLE
- PRODUCT SPECIFICATION: GS-12-239.
- APPLICATION SPECIFICATION: GS-20-035.
- PRODUCT MARKING, (PROTOTYPE, PART NUMBER & LOT CODE), ON THIS SURFACE.
- THE MINIMUM CENTERLINE SPACING BETWEEN ADJACENT MODULES IS 20.0 mm.
- CONNECTOR OUTLINE WITH HOUSING POS AI INDICATOR MAY BE SCREEN PRINTED ONTO CUSTOMER PCB TO BE USED AS A GUIDE FOR MANUAL CONNECTOR PLACEMENT.
- REFER TO CUSTOMER DRAWING 10104444 FOR INFORMATION ON PCB HOLE DIAMETERS AND PLATING OPTIONS.
- THIS PRODUCT MEETS EUROPEAN UNION DIRECTIVES AND OTHER COUNTRY REGULATIONS AS DESCRIBED IN GS-22-008.
- THE OUTER VIAS IN COLUMN M ARE OPTIONAL. IF ADDED THESE HOLES PROVIDE GROUND SYMMETRY THROUGH THE PCB. NO CONNECTOR EONS WILL BE PRESSED INTO THESE HOLES.
- PACKAGING MEETS GS-14-920 LEAD FREE LABELING SPECIFICATION.
- FOR REMOVAL OF THE PROTECTIVE CAP BY HAND GRIP USING THESE SURFACES.
- FOR REMOVAL OF THE PROTECTIVE CAP WITH PLIERS GRIP USING THIS FEATURE.
- GROUND VIAS IN POSITIONS C, F, I, & M FOR ODD COLUMNS AND POSITIONS D, G, J, & M FOR EVEN COLUMNS REQUIRE (Ø0.50) FINISHED HOLES. ALL OTHER VIAS REQUIRE (Ø0.40) FINISHED HOLES.
- A  SYMBOL WILL BE NEXT TO ANY DIMENSION, VIEW, OR NOTE WHICH HAS BEEN MODIFIED WITH THE CURRENT DRAWING REVISION



10117992-101LF



spec ref	-	dr	Mark Gray	2011/04/08	projection	MM	size	A2	scale	5:1
tolerance std	ASME Y14.5	eng	Kou Xu	2014/06/05			ecn no	ELX-DG-17847-1		
	TOLERANCES UNLESS OTHERWISE SPECIFIED	chr	Zhi-Guo Qiao	2014/06/23			rel level	Released		
surface	✓	appr	Collins Lu	2014/06/23	product family	AIRMAX VS	title	AIRMAX VSE VERTICAL HEADER		
ASME Y14.5	linear	0.X	±0.3		cat. no.	-	div no	10117992		
		0.XX	±0.10		Product - Customer Drw	sheet 4 of 4	rev	C		
	angular	0°	±2°							