

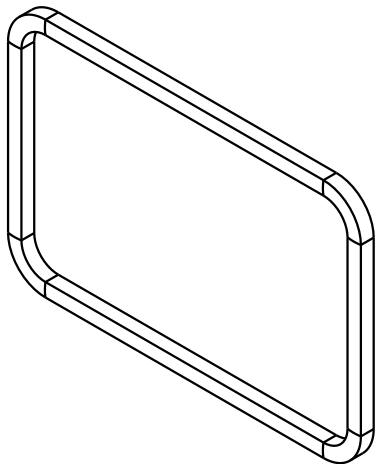
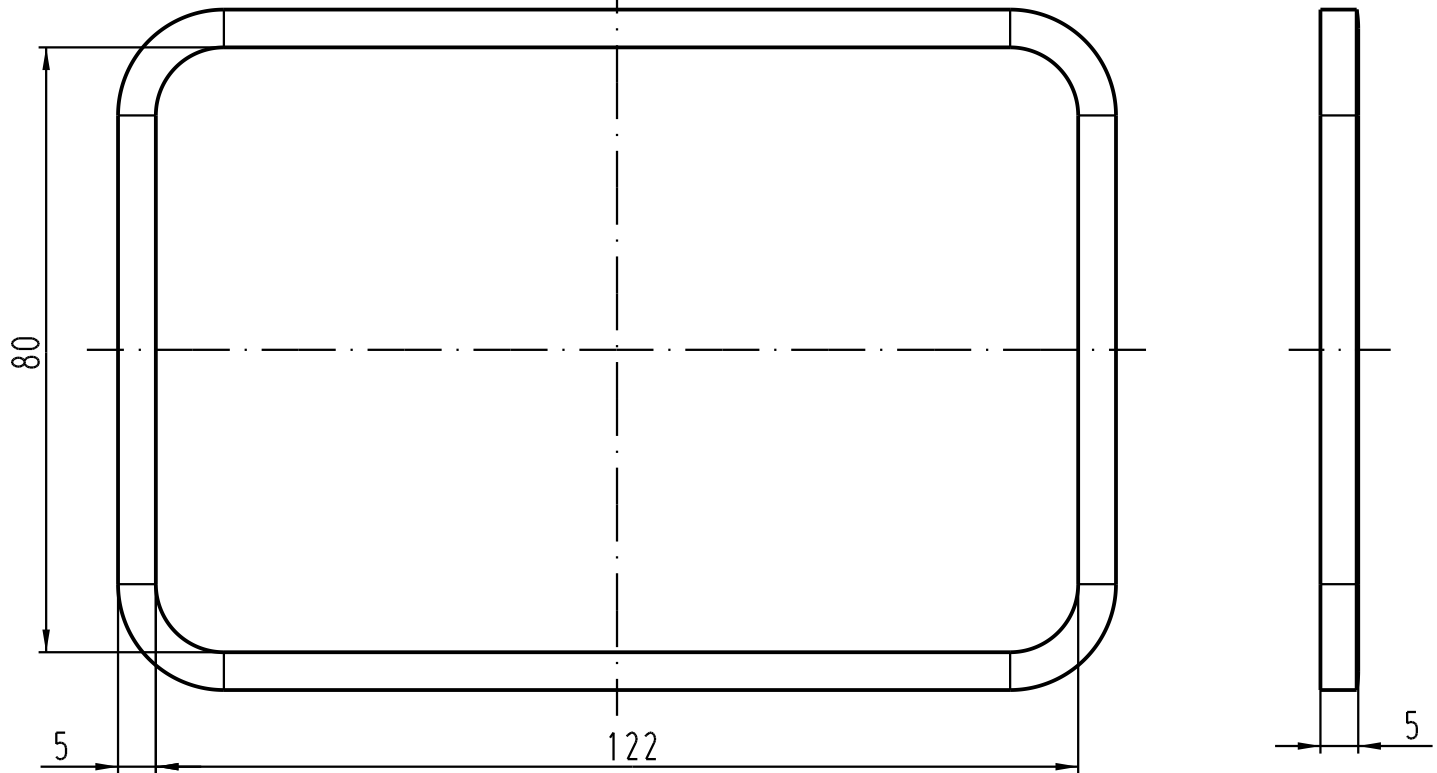
1 2 3 4 5 6

A

B

C

D



|   |      |                   |                                |          |  |  |             |
|---|------|-------------------|--------------------------------|----------|--|--|-------------|
| All Dimensions in mm<br>Original Size DIN A 4 |      | Techn. Character. |                                |          | Nicht tolerierte Masse/ Free size tolerances |  |             |
|   |      |                   | Dat.                           | Name     | Massstab/Scale<br><br><b>1:1</b>             | <b>Profil-Gummidichtung</b><br>Han 48B<br><i>profile sealing Han 48B</i> |             |
|   |      |                   | Detail.                        | 04.11.05 |  |  | Ho          |
|   |      |                   | Insp.                          |          |  |  | SUN         |
|   |      |                   | Stand.                         |          |  |  |             |
| 411868  |      |                   | HARTING Electric GmbH & Co. KG |          |  | <b>TB 09 30 000 9995</b>   |             |
| Mod.  | Dat. | Name              | D-32339 Espelkamp              |          |  |  | Blatt/ page |
|   |      |                   |                                |          |  | Sub.   |             |

