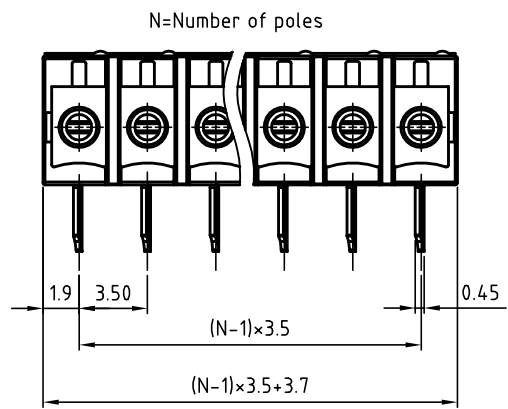
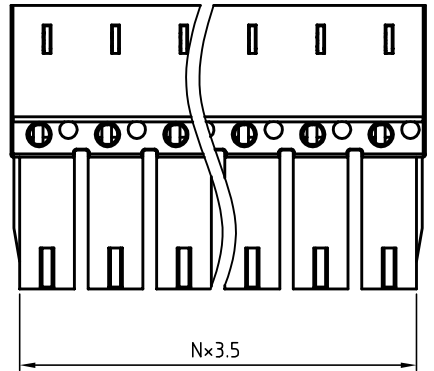
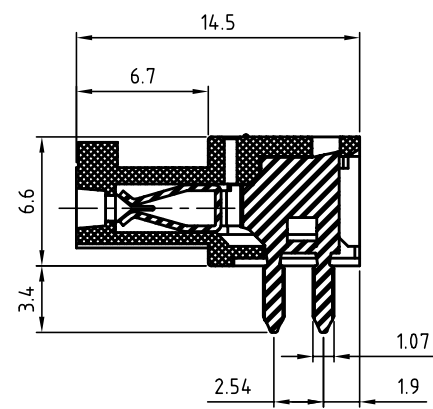
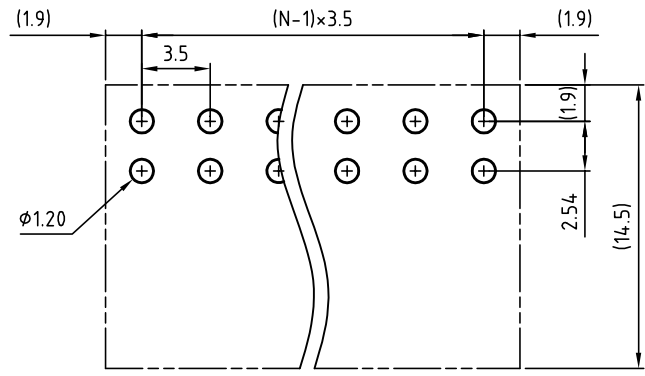


SIGN	DATE	DESCRIPTION	APPROVER
THIS IS CAD DRAWING, DO NOT REVISE MANUALLY!!!			



P.C.B LAYOUT



- Material**
- Wire guard: PhBz(CuZn)
 - Surface of solder tail: Tin plated
 - Insulator (housing): Thermoplastic (UL94V-0)

- Electrical**
- Voltage rating: 300VAC
 - Current rating: 8A
 - Withstanding Voltage: 1.6kv
 - Operating temperature: -30°C to +105°C
 - Soldering temperature: 250°C ± 10°C / 5 Sec

RoHS Compliant

PART NUMBER:

OSTV7XX1151

No. of Poles	COLOR
02 2 Pole	0: Black
03 3 Pole	5: Green (Standard)
... ..	6: Blue
24 24 Pole	8: Light Grey

THESE DRAWINGS AND SPECIFICATIONS ARE THE PROPERTY OF ON-SHORE TECHNOLOGY, INC. AND SHALL NOT BE REPRODUCED, COPIED OR USED IN ANY MANNER WITHOUT THE PRIOR WRITTEN CONSENT OF ON-SHORE TECHNOLOGY, INC.



TITLE		OSTV7- 3.5mm series 90° Right angle 2p-6p				
PART NO.	OSTV7XX1151	DWG NO.	OSTV7XX1151.DWG			
APPROVED	CHECKED	DESIGNED	DRAWN	CUST NO.	Tolerance	
Shi Jun 2006.11.09	Shi Jun 2006.11.09	Tason 2006.11.09	Tason 2006.11.09		X. ±0.5 X.X ±0.3 X.XX ±0.1 X° ±1°	
				UNIT: mm		
				SCALE: NONE		
				REV.: B		
				SHEET: 01/01		