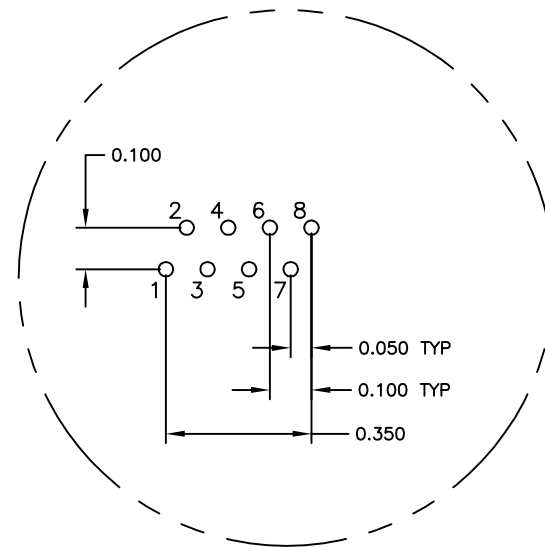
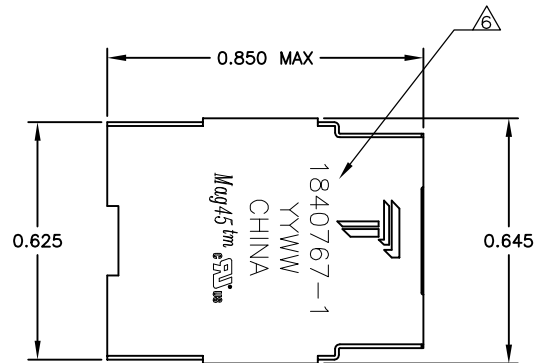
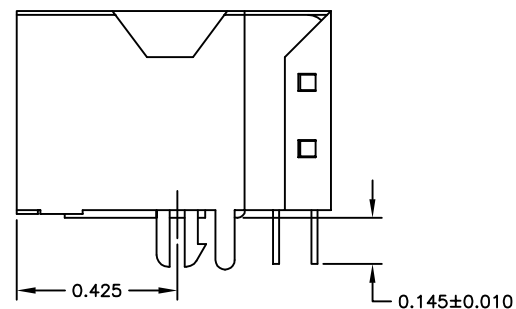
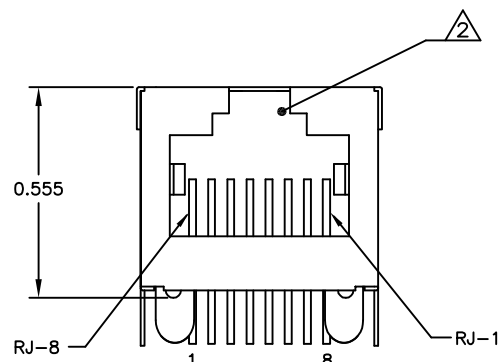


REVISIONS					
#	DATE	DESCRIPTION	DATE	BY	APP'D
C	23APR2013	LOGO CHANGE		JC	KZ

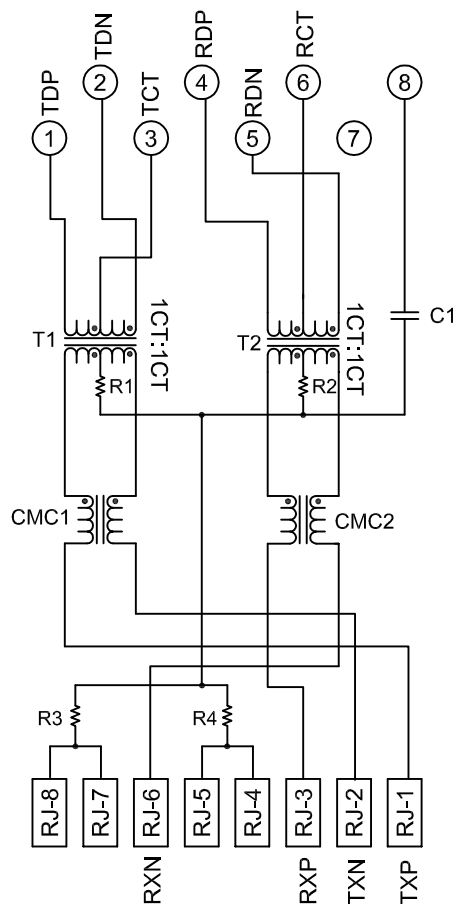
MECHANICAL:



Pin Designations

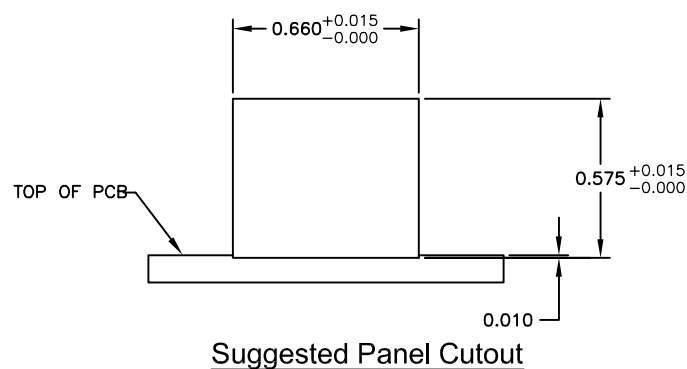


Schematic 726P4ET

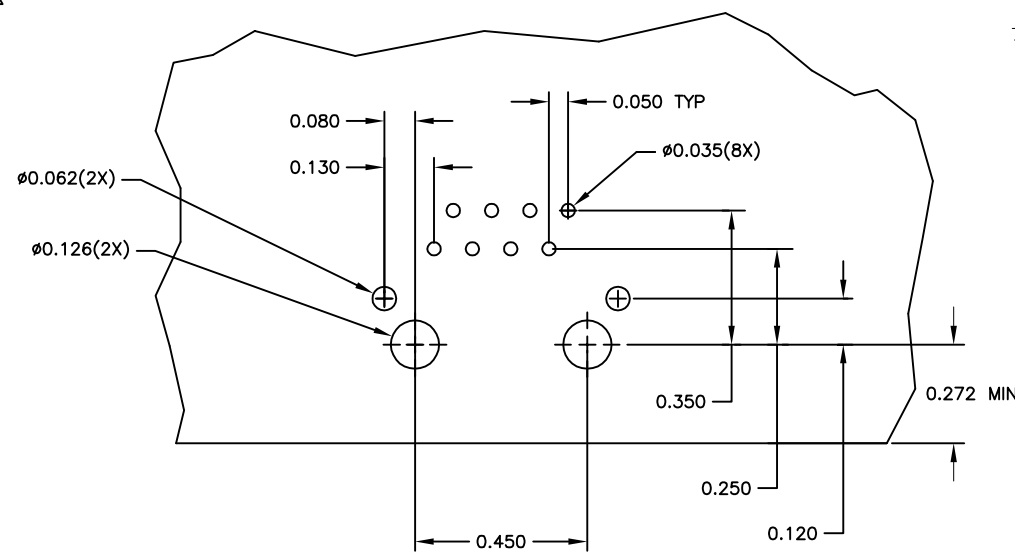


- NOTES:
 1. R1-R4 = 75 OHMS, 1/16 W, 5%, RESISTORS
 2. C1 = 1000pF, 2kV, 10% CAPACITOR

- △ MATERIALS:
 -HOUSING - THERMOPLASTIC PET POLYESTER FLAMMABILITY RATING UL 94V-0.
 -SHIELD - 0.010" THICK, C26800 BRASS PREPLATED WITH 30μINCH MIN SEMI-BRIGHT NICKEL, SOLDER TABS POST DIPPED WITH 100μINCH MIN SAC SOLDER.
 -MOD JACK CONTACTS - 0.0157" x 0.018" PHOSPHOR BRONZE, 50μINCH MIN OVERALL NICKEL UNDERPLATE, WITH SELECT 50μINCH MIN HARD GOLD FINISH PLATE.
 SOLDER TAILS WITH 100μINCH MIN MATTE TIN AND/OR SAC SOLDER DIP.
- △ RJ45 JACK CAVITY CONFORMS TO FCC RULES AND REGULATIONS PART 68, SUB PART F.
- △ MAGNETICS
 -APPLICATION: 10/100 BASE-T, EXTENDED TEMPERATURE
 -IMPEDANCE: 100 OHMS
 -TURNS RATIO (CHIP: CABLE): TX = 1:1, RX = 1:1
 -OPEN CIRCUIT INDUCTANCE (OCL): 350uH MIN @100kHz, 0.1VRMS, 8mADC BIAS FROM -40°C TO +85°C, TX AND RX
 -PERFORMANCE @ 25°C:
 INSERTION LOSS (IL): 1.1dB MAX FROM 0.5MHz TO 100MHz
 RETURN LOSS (RL): 18dB MIN FROM 0.5MHz TO 30MHz
 18-20LOG(f/30)dB MIN FROM 30.1MHz TO 60MHz
 12dB MIN FROM 60.1MHz TO 80MHz
 CROSSTALK ATTENUATION: 35dB MIN FROM 0.5MHz TO 40MHz
 33-20LOG(f/50)dB MIN FROM 40.1MHz TO 100MHz
 COMMON MODE REJECTION RATIO (CMRR): 30dB MIN FROM 0.5MHz TO 100MHz
 - ISOLATION VOLTAGE: 2250VDC (MAX) FOR 60 SECONDS WITH A RISE TIME OF 500V/SEC
- 4. OPERATING TEMPERATURE: FROM -40° - +85°C
- △ INDICATED CONNECTIONS ARE FOR NIC CONFIGURATION. THE MAGNETICS ARE SYMMETRICAL, AND THEREFORE ARE AUTO-MDI/MDIX CAPABLE.
- △ TRP CONNECTOR, PART NUMBER, DATE CODE, COUNTRY OF ORIGIN AND AGENCY APPROVAL MARKING IN APPROXIMATE LOCATION SHOWN.
- 7. THE PART IS RECOMMENDED FOR WAVE SOLDERING PROCESS, PREHEAT TEMPERATURE IS 120°C TO 160°C, 120 SECONDS TO 180 SECONDS, PEAK WAVE SOLDERING TEMPERATURE IS 260°C MAX, 10 SECONDS MAX.



Suggested Panel Cutout



Suggested PCB Layout
 (Component Side)

1840767-1
 PART NUMBER

THIS DRAWING IS A CONTROLLED DOCUMENT.		CHK YKIN LEE 31AUL2009	TRP connector Dongguan China	
DIMENSIONS: INCHES		APP'D QUENTIN LIU 31AUL2009	NAME 1X1 MAG45(TM), 726P4ET CIRCUIT SHIELDED, DECOUPLING CAPACITOR, W/O LED	
TOLERANCES UNLESS OTHERWISE SPECIFIED:		APP'D LIJUN RAO 31AUL2009	PRODUCT SPEC 108-104004	
0 PLC ± -	1 PLC ± .010	APPLICATION SPEC		
2 PLC ± .005	3 PLC ± .003	SIZE A1		
4 PLC ± .002	ANGLES ± -	DRAWING NO C=1840767		
MATERIAL △	FINISH △	WEIGHT -		
CUSTOMER DRAWING		RESTRICTED TO -		
SCALE NTS		SHEET 1 OF 1		
		REV C		