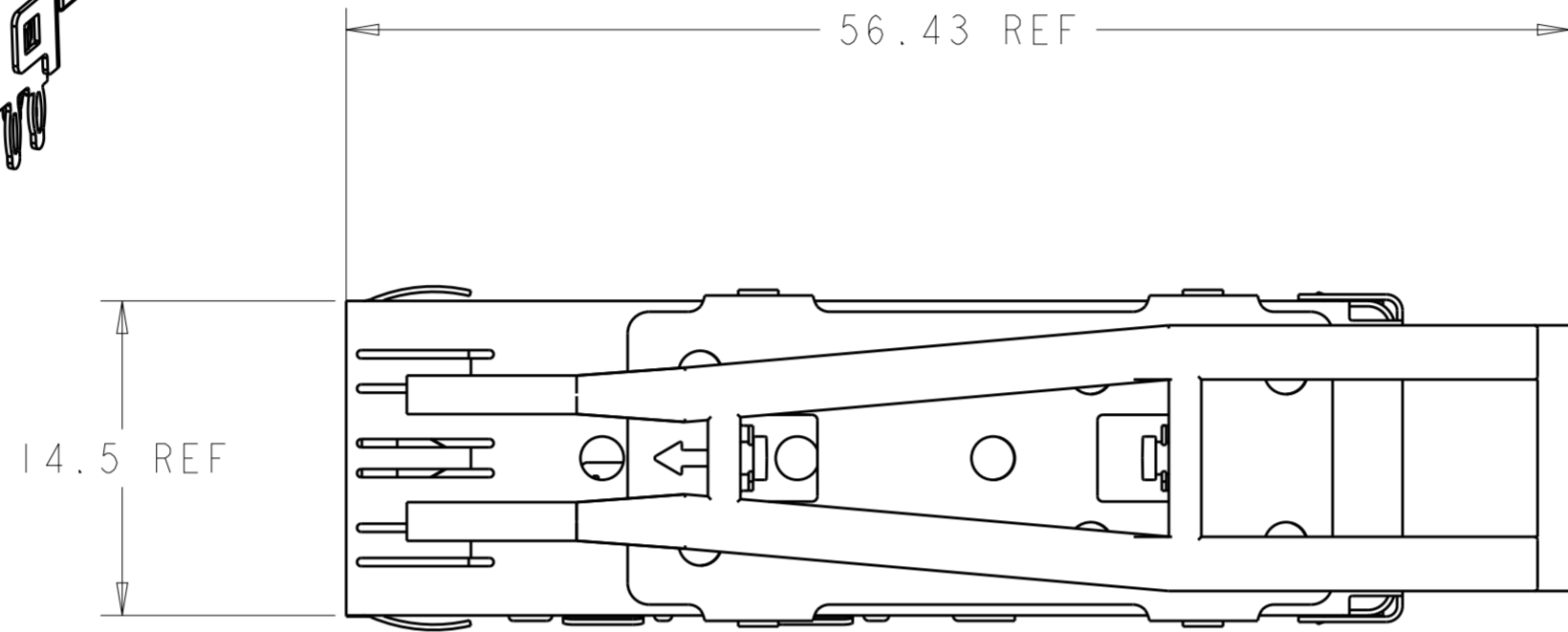
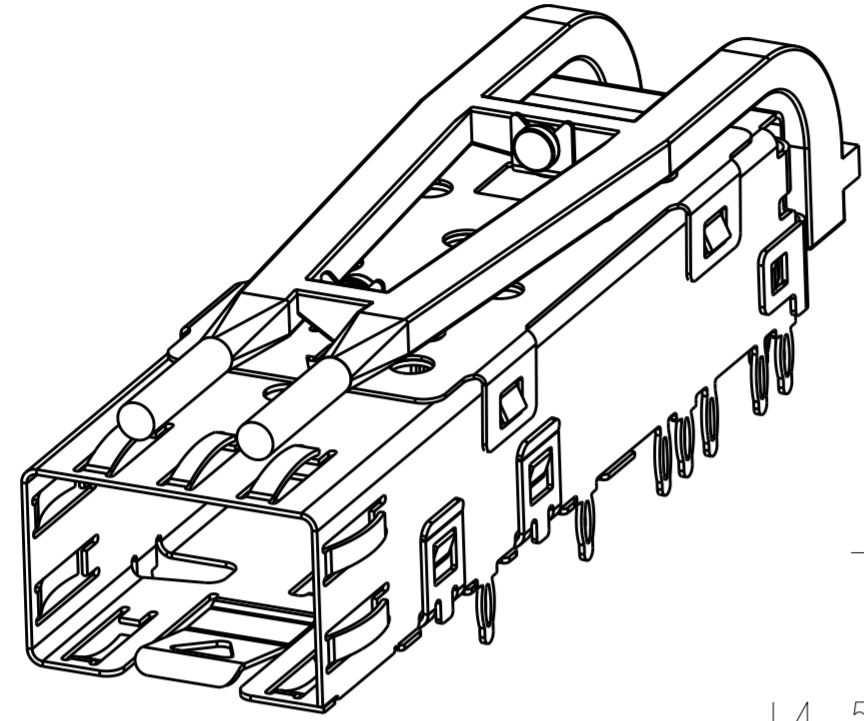
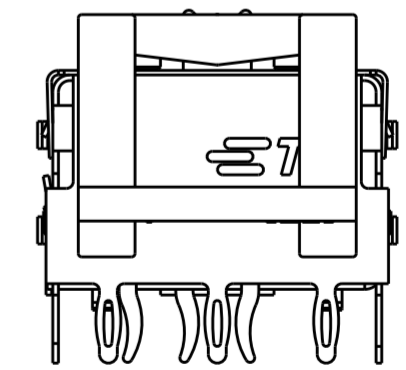
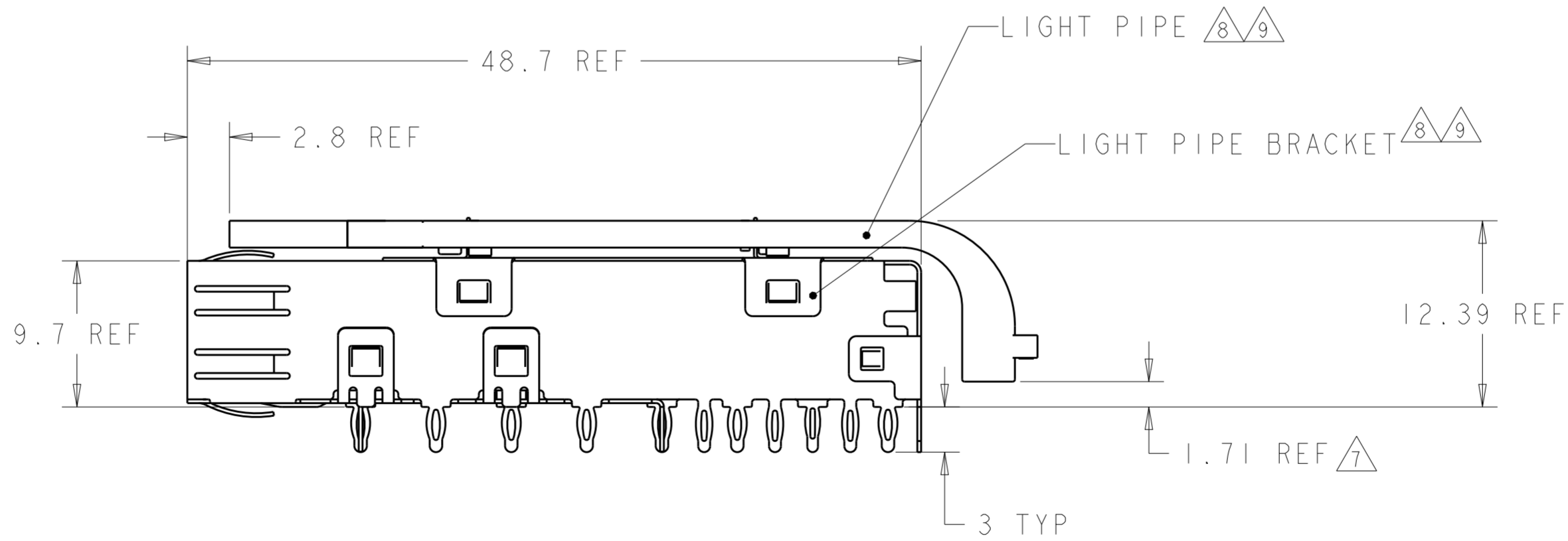
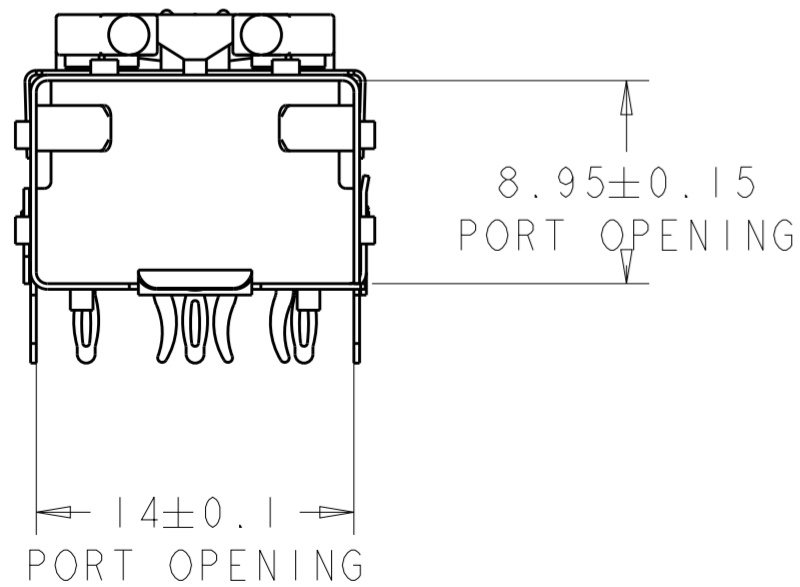


THIS DRAWING IS UNPUBLISHED. RELEASED FOR PUBLICATION 20
 © COPYRIGHT 20 ALL RIGHTS RESERVED.

LOC	DIST	REVISIONS					
GP	00	P	LTR	DESCRIPTION	DATE	DWN	APVD
		1		INITIAL	20DEC2013	JW	SH
		A		REVISED PER ECO-15-012974	10SEP2015	JW	SH



- ① MATERIAL:
 CAGE: STAINLESS STEEL.
 LIGHTPIPE: POLYCARBONATE, CLEAR
 LIGHTPIPE BRACKET: STAINLESS STEEL.
- ② FINISH:
 CAGE: NICKEL. NONPLATED EDGES PERMISSABLE.
- 3. MATES WITH SFP MSA COMPLIANT TRANSCEIVERS.
- ④ PADS AND VIAS CHASSIS GROUND.
- ⑤ DATUM AND BASIC DIMENSIONS ESTABLISHED BY CUSTOMER.
- 6. MINIMUM PC BOARD THICKNESS:
 SINGLE SIDED: 1.50 mm
 (SHOWN ON SHEET 4).
- ⑦ MAX HEIGHT OF LED OFF BOARD IS NOT TO EXCEED 1.14mm.
- ⑧ LIGHT PIPE AND LIGHT PIPE BRACKET SHIPPED ASSEMBLED.
- ⑨ LIGHT PIPE ASSEMBLY SHIPPED UNASSEMBLED TO CAGE ASSEMBLY. CAGE ASSEMBLY TO BE PRESSED INTO THE PCB PRIOR TO ATTACHING THE LIGHT PIPE ASSEMBLY TO THE CAGE.



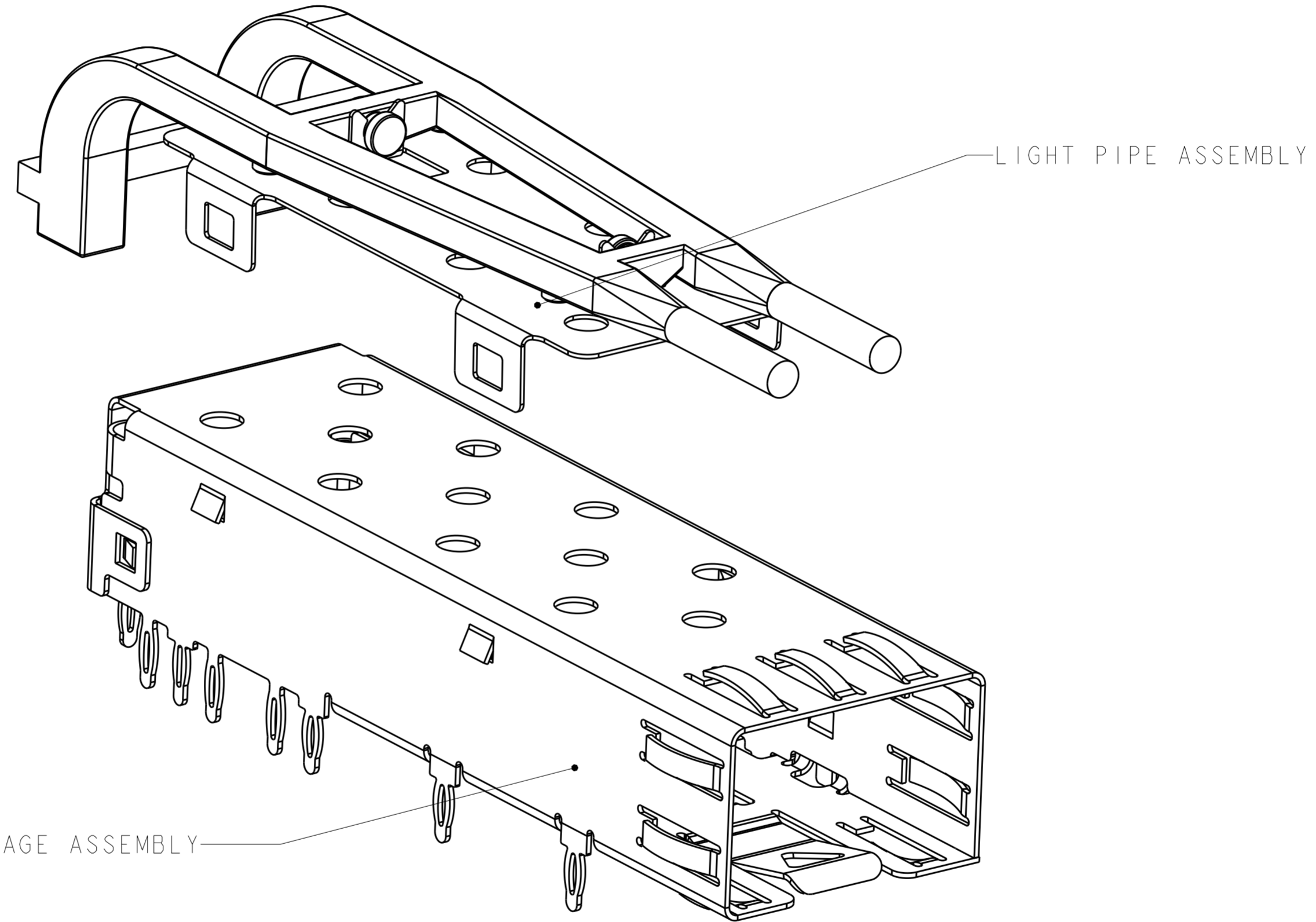
CAGE ASSEMBLY

2170614-1
 PART NUMBER


THIS DRAWING IS A CONTROLLED DOCUMENT.		DWN J. WANG 20DEC2013	TE Connectivity	
DIMENSIONS: mm		CHK S. HAN 20DEC2013		
TOLERANCES UNLESS OTHERWISE SPECIFIED:		APVD S. HAN 20DEC2013	NAME CAGE ASSEMBLY, 20 PRESS FIT, SFP	
0 PLC ±0.1		PRODUCT SPEC	SIZE 108-1950	
1 PLC ±0.1		APPLICATION SPEC	DRAWING NO 114-13120	
2 PLC ±0.1		WEIGHT	SCALE 3:1	
3 PLC ±0.05		RESTRICTED TO	SHEET 1 OF 4	
4 PLC ±0.05			REV A	
ANGLES ±		Customer Drawing		
FINISH		Customer Drawing		

THIS DRAWING IS UNPUBLISHED. RELEASED FOR PUBLICATION 20
 © COPYRIGHT 20 ALL RIGHTS RESERVED.

LOC	DIST	REVISIONS					
GP	00	P	LTR	DESCRIPTION	DATE	DWN	APVD
		-		SEE SHEET 1	-	-	-

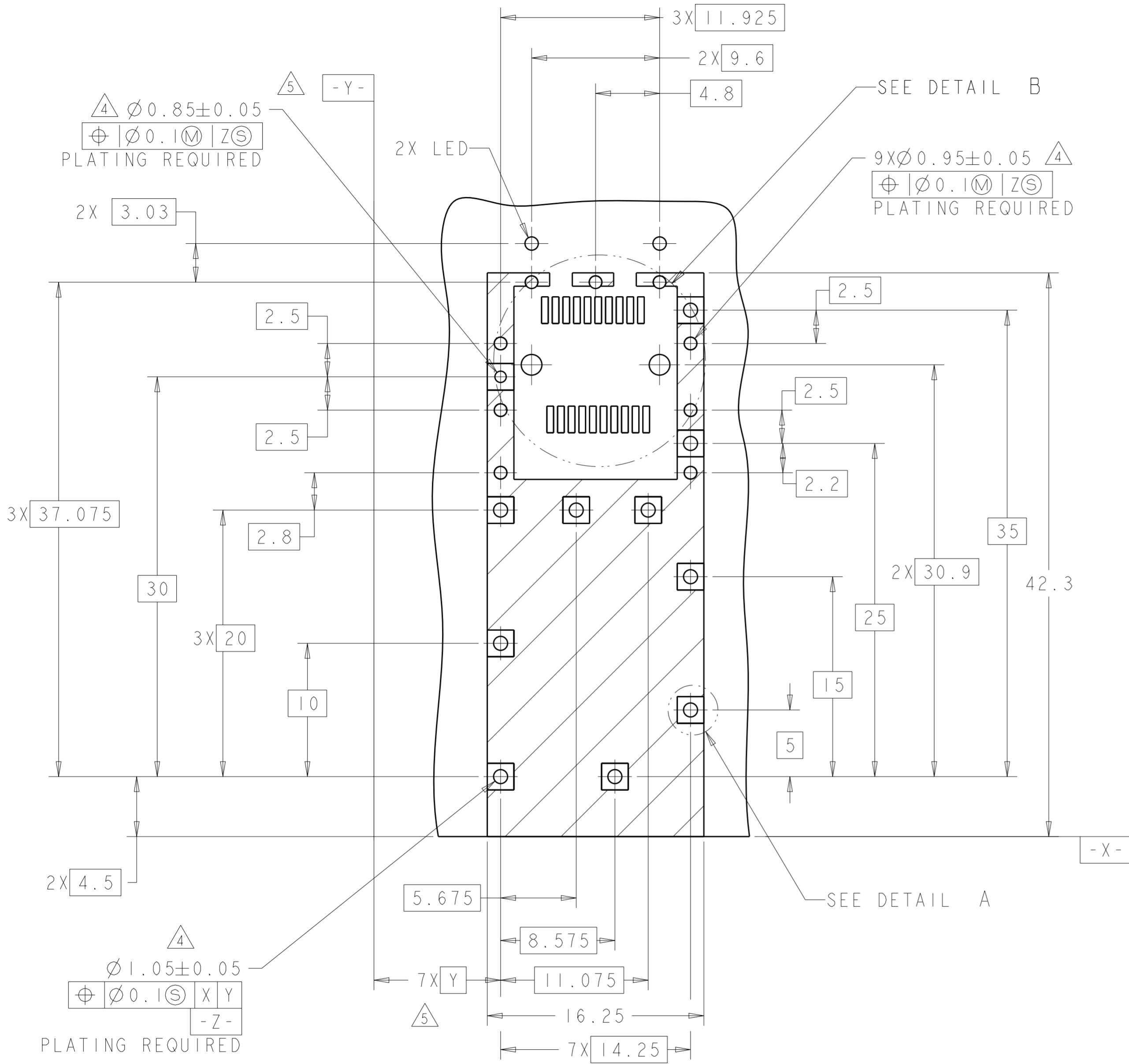


EXPLODED VIEW
SCALE 5:1

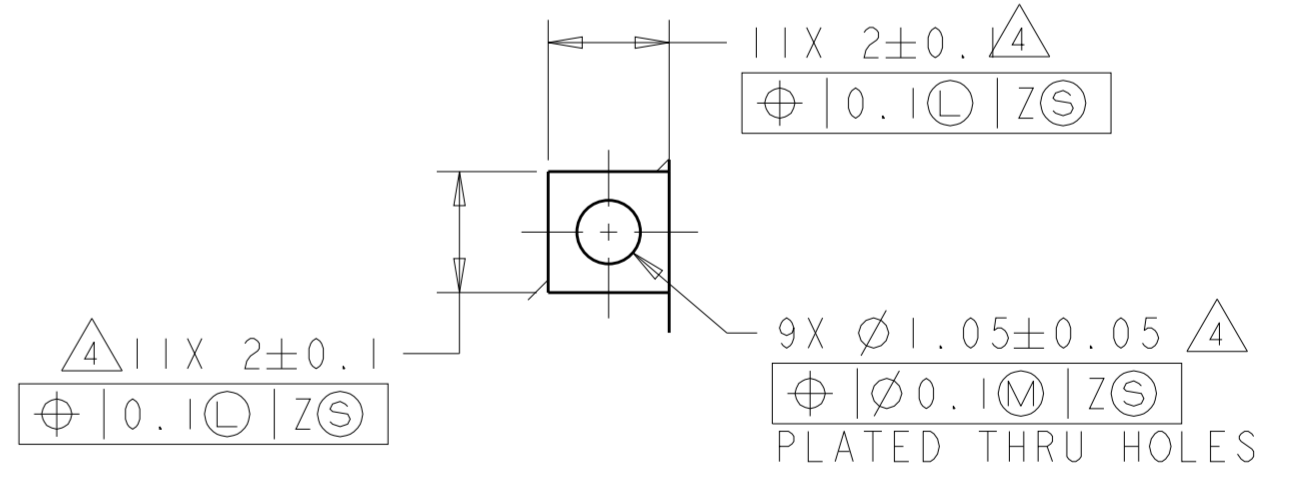
THIS DRAWING IS A CONTROLLED DOCUMENT.		DWN J. WANG 20DEC2013	 TE Connectivity															
DIMENSIONS: mm		CHK S. HAN 20DEC2013																
TOLERANCES UNLESS OTHERWISE SPECIFIED:		APVD S. HAN 20DEC2013	NAME CAGE ASSEMBLY, 20 PRESS FIT, SFP															
<table border="1"> <tr><td>0 PLC</td><td>±0.1</td></tr> <tr><td>1 PLC</td><td>±0.1</td></tr> <tr><td>2 PLC</td><td>±0.1</td></tr> <tr><td>3 PLC</td><td>±0.05</td></tr> <tr><td>4 PLC</td><td>±0.05</td></tr> <tr><td>ANGLES</td><td>±</td></tr> <tr><td>FINISH</td><td></td></tr> </table>		0 PLC	±0.1	1 PLC	±0.1	2 PLC	±0.1	3 PLC	±0.05	4 PLC	±0.05	ANGLES	±	FINISH		PRODUCT SPEC 108-1950	SIZE A200779	
0 PLC	±0.1																	
1 PLC	±0.1																	
2 PLC	±0.1																	
3 PLC	±0.05																	
4 PLC	±0.05																	
ANGLES	±																	
FINISH																		
MATERIAL		APPLICATION SPEC 114-13120	DRAWING NO C-2170614	RESTRICTED TO -														
		WEIGHT -	SCALE 3:1 SHEET 2 OF 4 REV A															
		Customer Drawing																

THIS DRAWING IS UNPUBLISHED. RELEASED FOR PUBLICATION 20
 © COPYRIGHT 20 ALL RIGHTS RESERVED.

LOC	DIST	REVISIONS					
GP	00	P	LTR	DESCRIPTION	DATE	DWN	APVD
		-		SEE SHEET 1			



DESIGN APPROVED THIS PRINT IS
PRELIMINARY
 TO FIRST PIECE APPROVAL
 CONTACT PRODUCT ENGINEERING
 BEFORE USING THIS PRINT



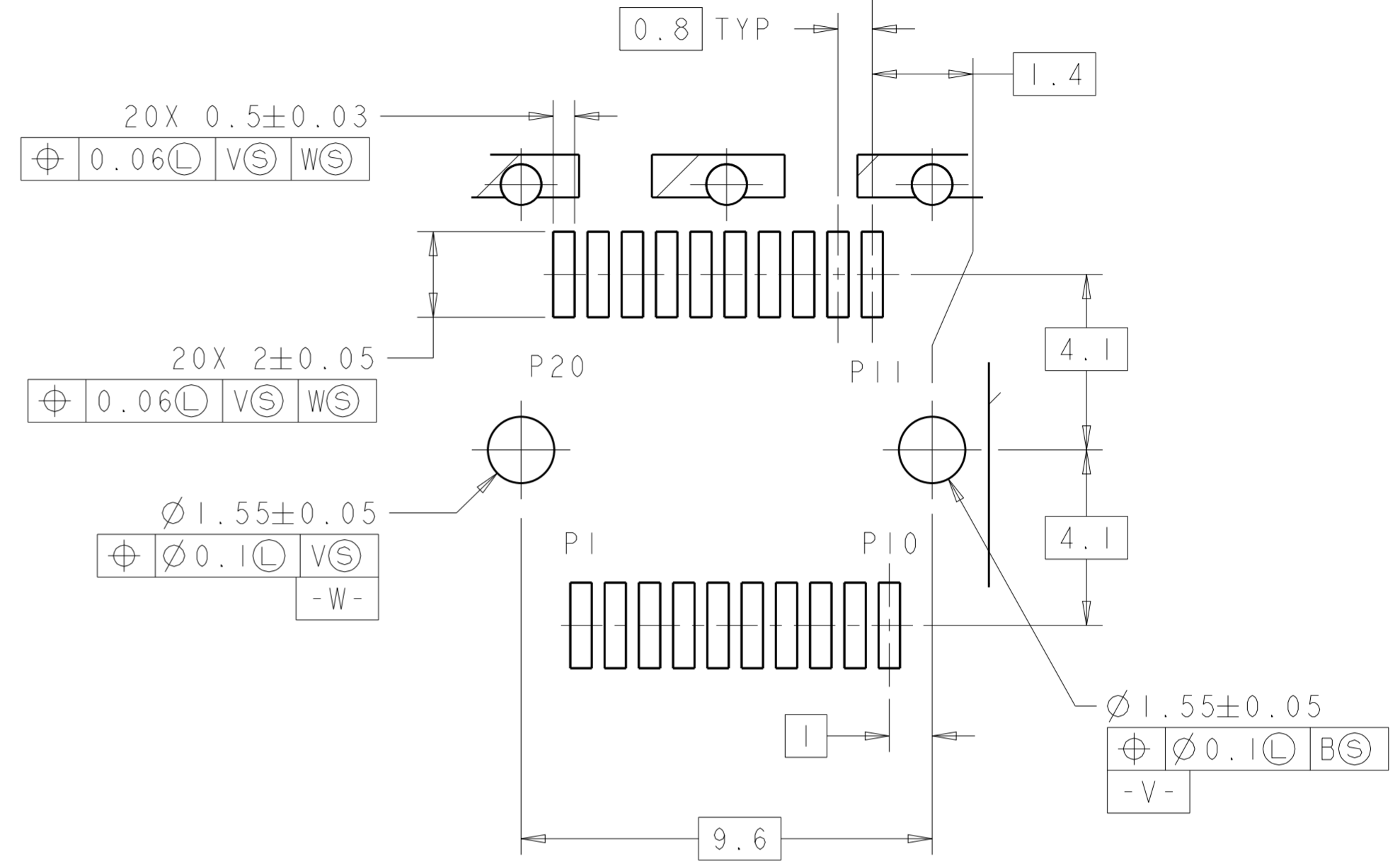
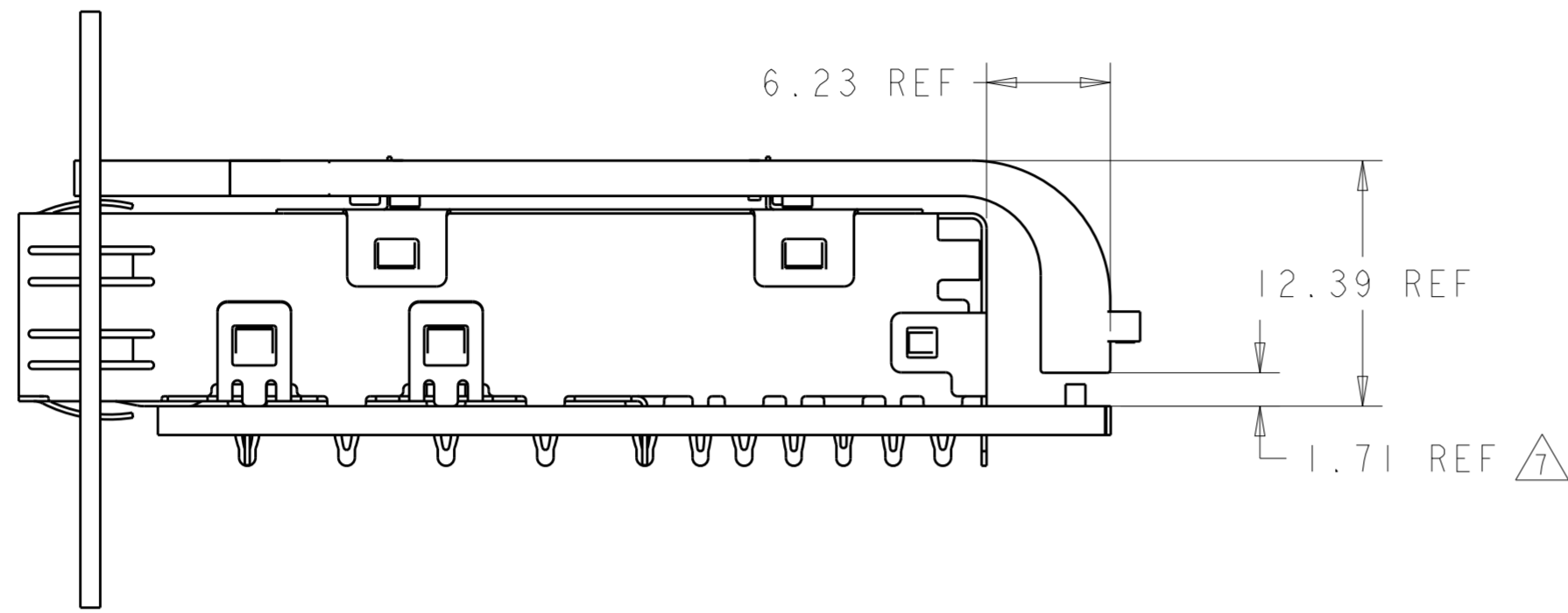
DETAIL A
 SCALE 8:1

RECOMMENDED PC BOARD LAYOUT
 SCALE 4:1

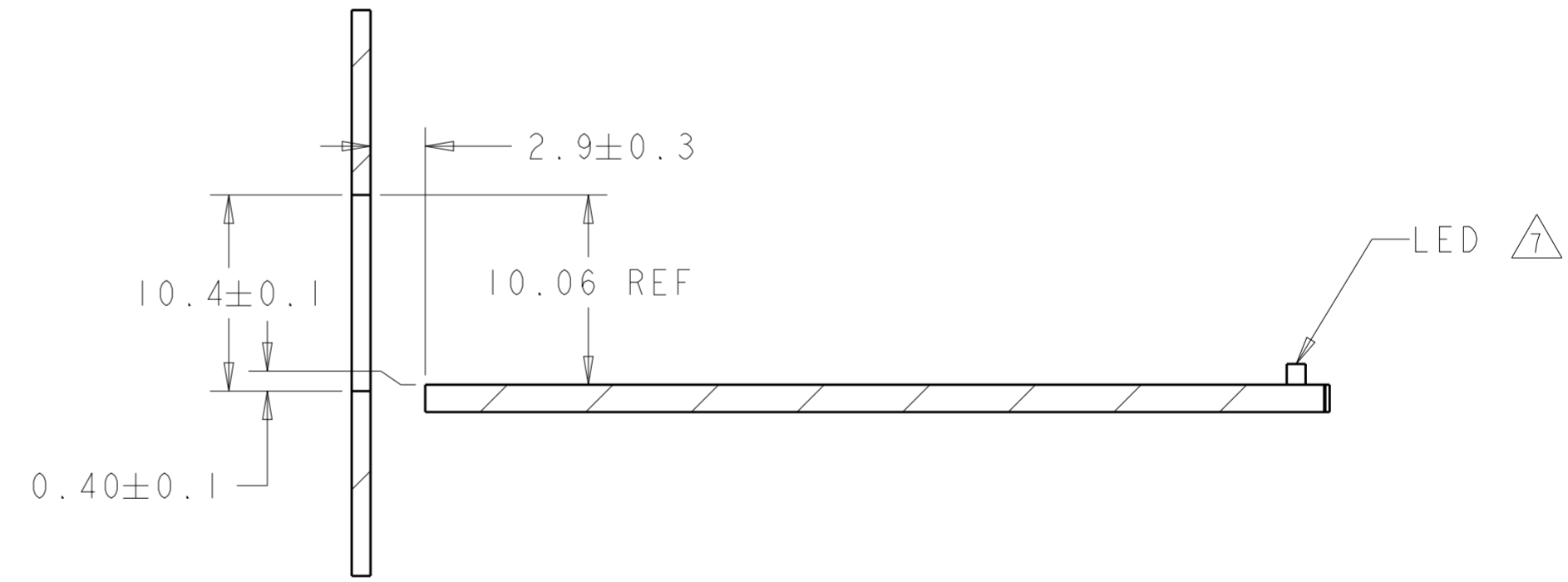
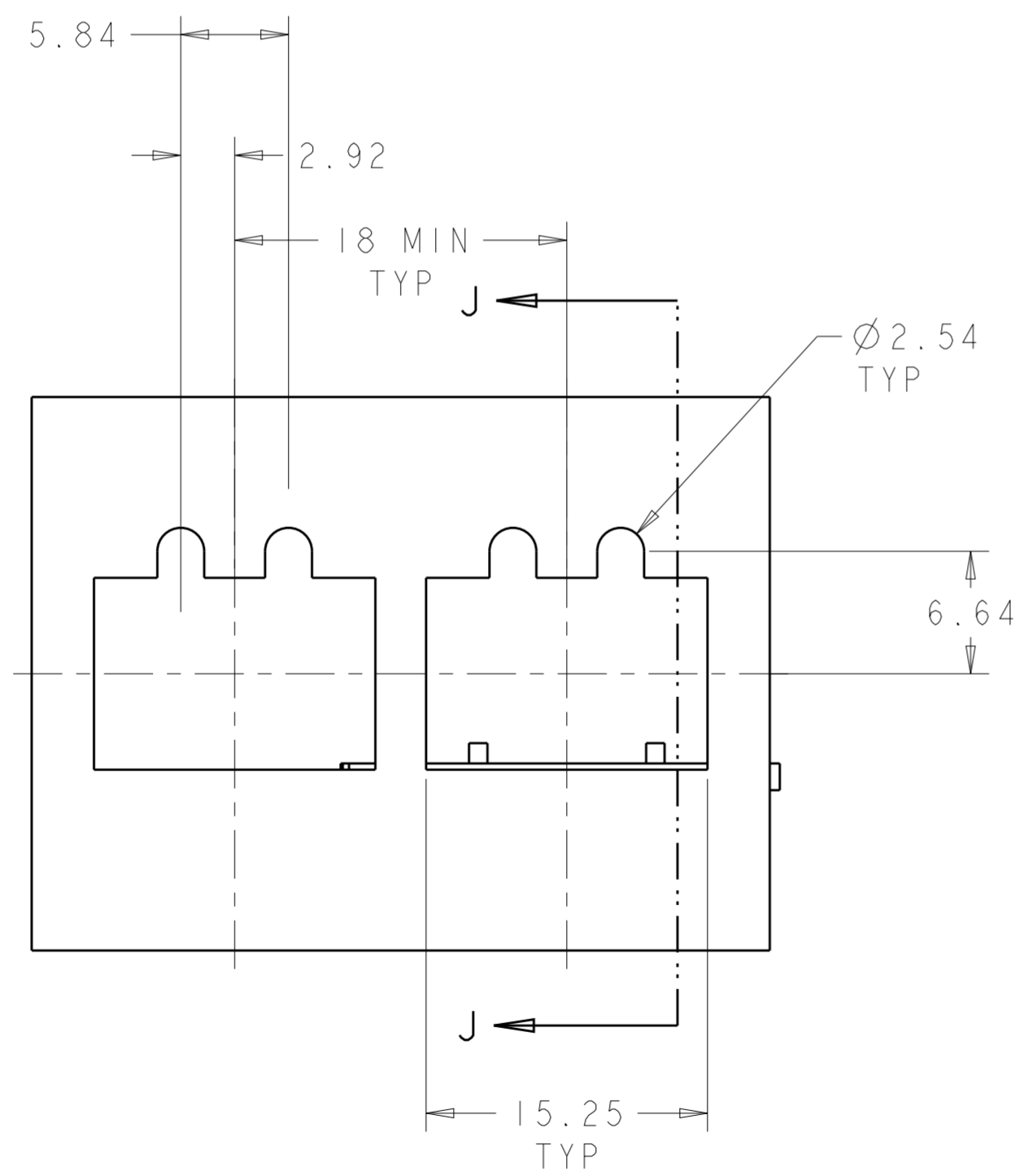
THIS DRAWING IS A CONTROLLED DOCUMENT.		DWN J. WANG 20DEC2013	TE Connectivity	
DIMENSIONS: mm		CHK S. HAN 20DEC2013		
TOLERANCES UNLESS OTHERWISE SPECIFIED:		APVD S. HAN 20DEC2013	NAME CAGE ASSEMBLY, 20 PRESS FIT, SFP	
0 PLC ±0.1		PRODUCT SPEC 108-1950	SIZE A200779	
1 PLC ±0.1		APPLICATION SPEC 114-13120	DRAWING NO C-2170614	
2 PLC ±0.1		WEIGHT -	RESTRICTED TO -	
3 PLC ±0.05		SCALE 3:1		
4 PLC ±0.05		SHEET 3 OF 4		
ANGLES ±		REV A		
FINISH		Customer Drawing		

THIS DRAWING IS UNPUBLISHED. RELEASED FOR PUBLICATION 20
 © COPYRIGHT 20 ALL RIGHTS RESERVED.

LOC	DIST	REVISIONS			
P	LTR	DESCRIPTION	DATE	DWN	APVD
GP	00	SEE SHEET 1	-	-	-



DETAIL B
SCALE 8:1



SECTION J-J

THIS DRAWING IS A CONTROLLED DOCUMENT.		DWN J. WANG 20DEC2013	 TE Connectivity	NAME CAGE ASSEMBLY, 20 PRESS FIT, SFP	
DIMENSIONS: mm		CHK S. HAN 20DEC2013		PRODUCT SPEC 108-1950	
TOLERANCES UNLESS OTHERWISE SPECIFIED:		APVD S. HAN 20DEC2013		APPLICATION SPEC 114-13120	
0 PLC ±0.1 1 PLC ±0.1 2 PLC ±0.1 3 PLC ±0.05 4 PLC ±0.05 ANGLES ± FINISH		MATERIAL		WEIGHT	SIZE A200779
		Customer Drawing	SCALE 3:1	SHEET 4 OF 4	REV A