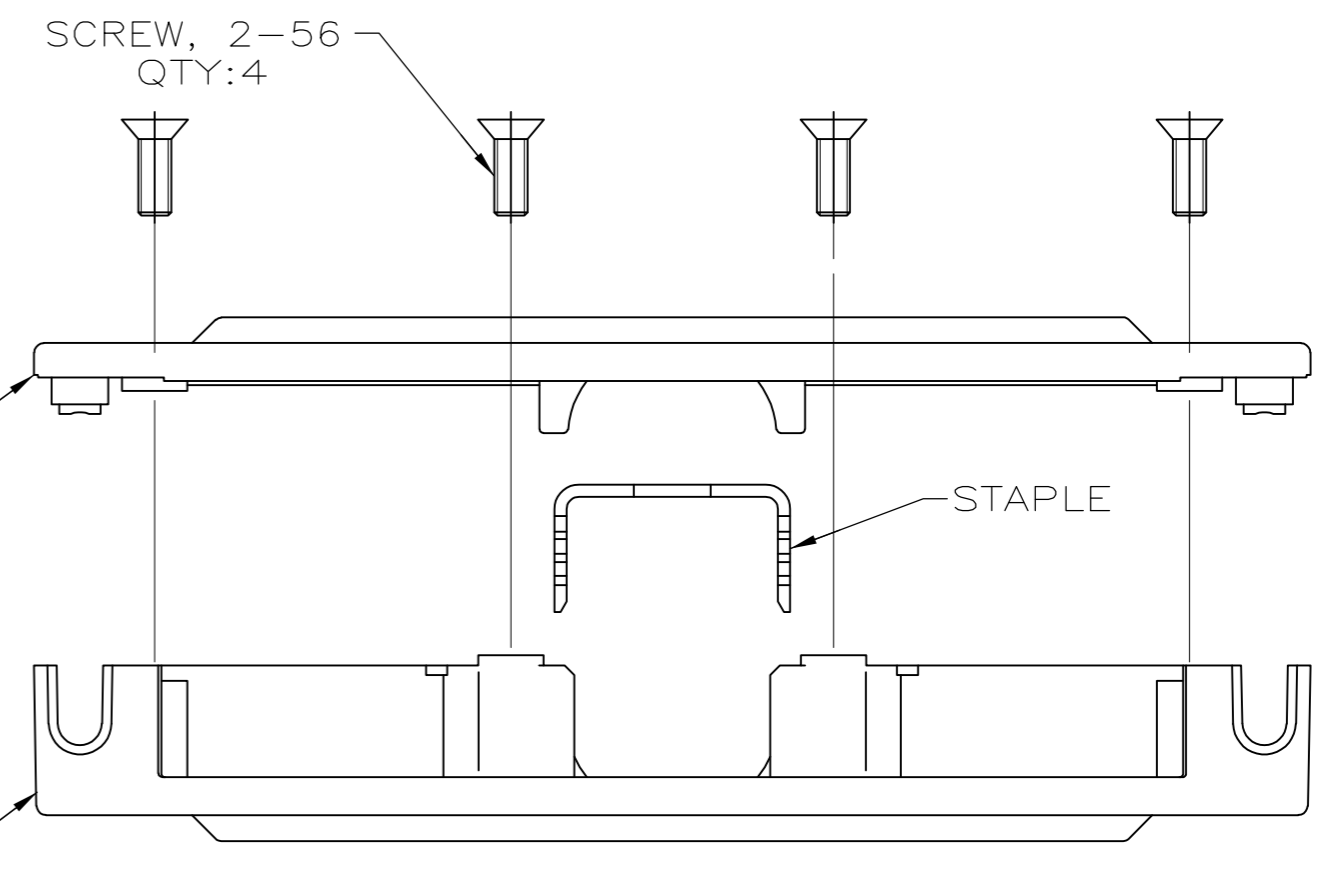
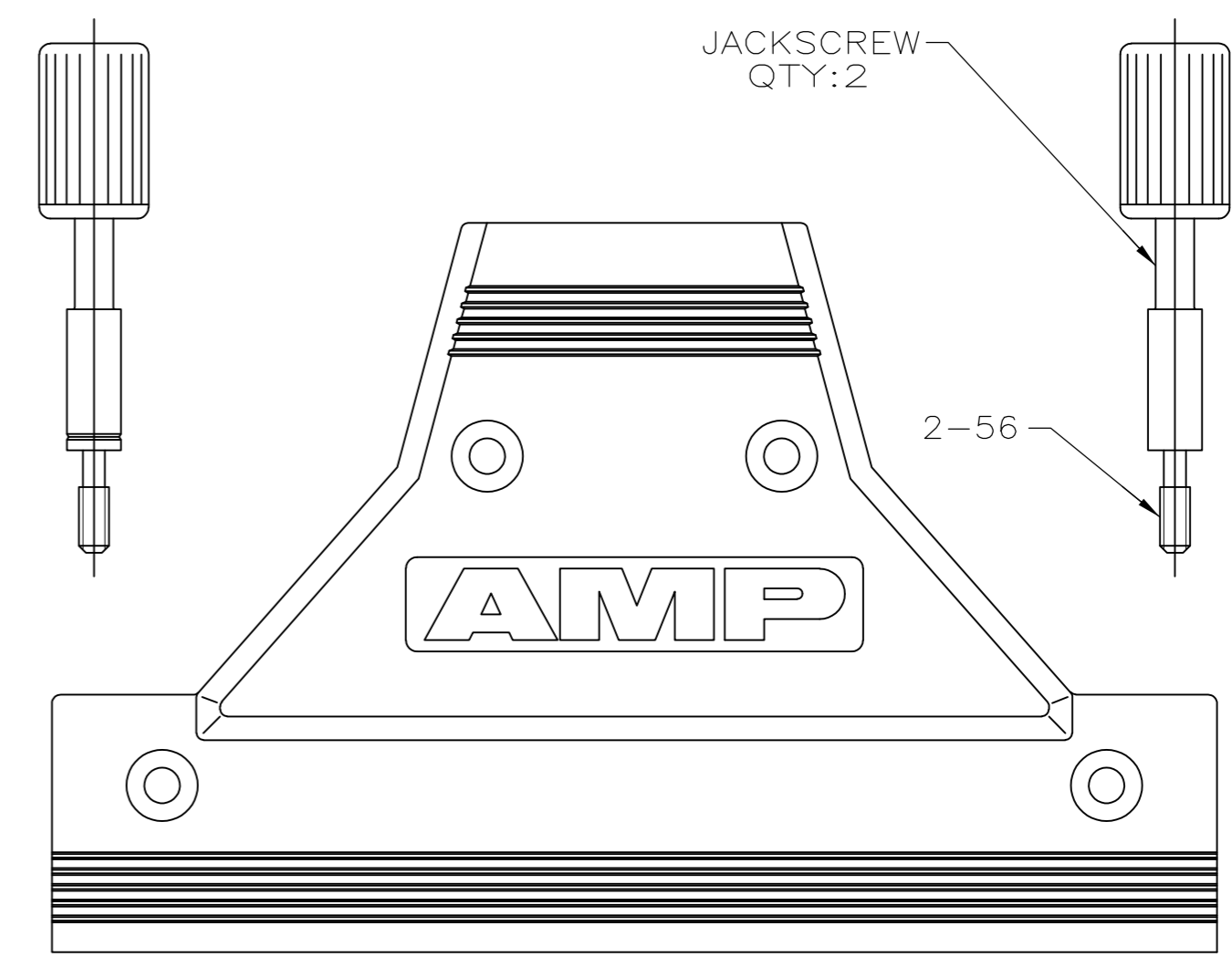
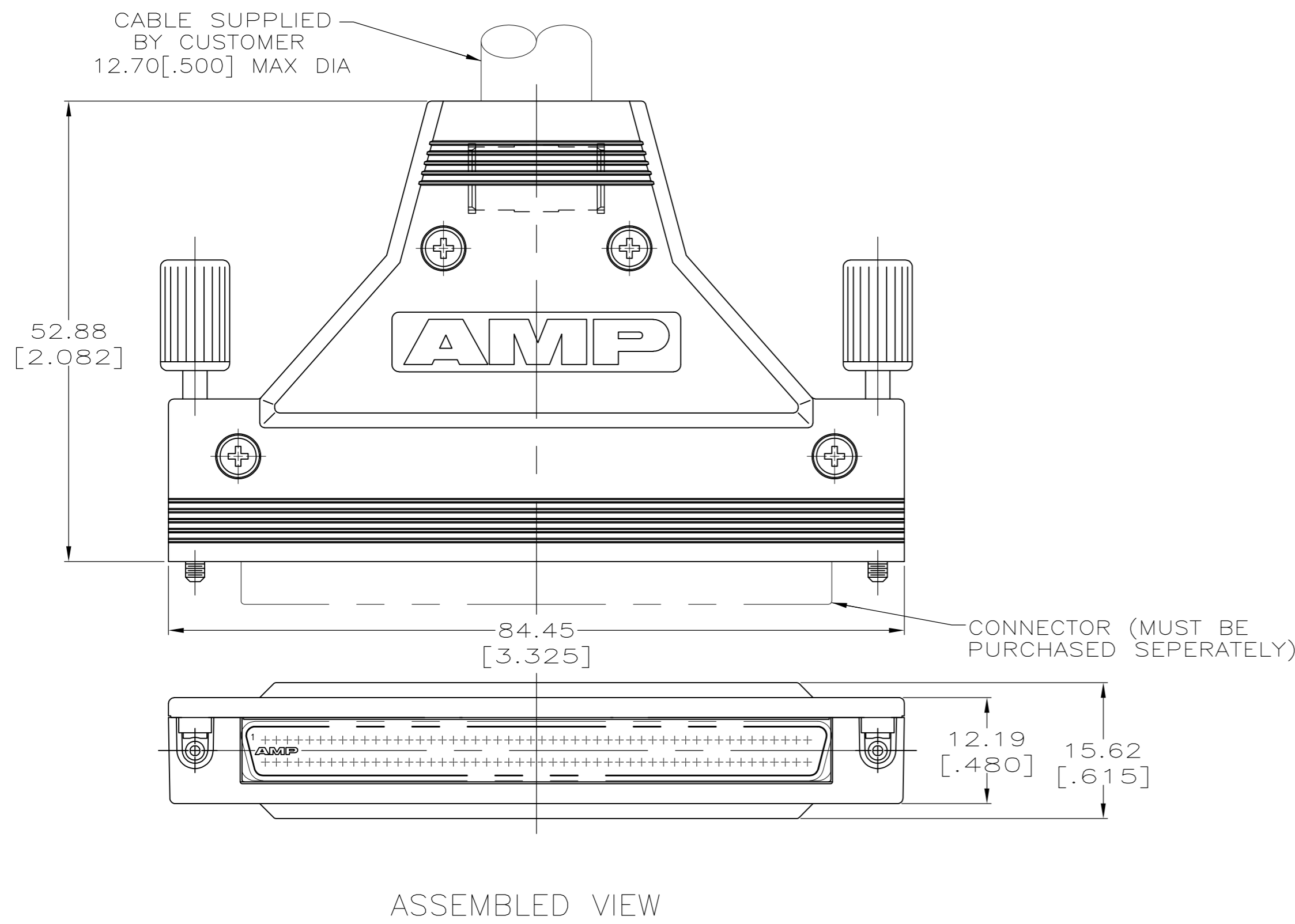


THIS DRAWING IS UNPUBLISHED. RELEASED FOR PUBLICATION  
 © COPYRIGHT - By - ALL RIGHTS RESERVED.

LOC		DIST		REVISIONS			
P	LTR	DESCRIPTION	DATE	DWN	APVD		
GP	00	R	REVISED PER ECO-11-012218	14JUL2011	CJV	SLB	



- ① BACKSHELLS: ZINC.  
 STAPLE: STEEL.  
 JACKSCREW HEAD: POLYPROPYLENE OR NYLON, UL94V-0 RATED, BLACK.  
 JACKSCREW BODY: STEEL.  
 SCREWS: STAINLESS STEEL.
- ② BACKSHELLS: NICKEL OVER COPPER.  
 STAPLE: BRIGHT TIN OVER NICKEL.  
 JACKSCREW BODY: BLACK ZINC.

5749854-1  
 PART NO

THIS DRAWING IS A CONTROLLED DOCUMENT.		DWN	G.PETERS	24AUG05		TE Connectivity		
DIMENSIONS: INCHES		CHK	S.SHUEY	24AUG05		NAME		
TOLERANCES UNLESS OTHERWISE SPECIFIED:		APVD	M.WALMSLEY	24AUG05		BACKSHELL KIT, 100 POS, AMPLIMITE .050 SERIES		
0 PLC ± - 1 PLC ± - 2 PLC ± - 3 PLC ± - 4 PLC ± - ANGLES ± - FINISH		APPLICATION SPEC		SIZE		CAGE CODE	DRAWING NO	RESTRICTED TO
MATERIAL	①	WEIGHT		-	A2	00779	③=5749854	
CUSTOMER DRAWING		SCALE		2:1	SHEET		1 of 1	
		REV		R				

5749854