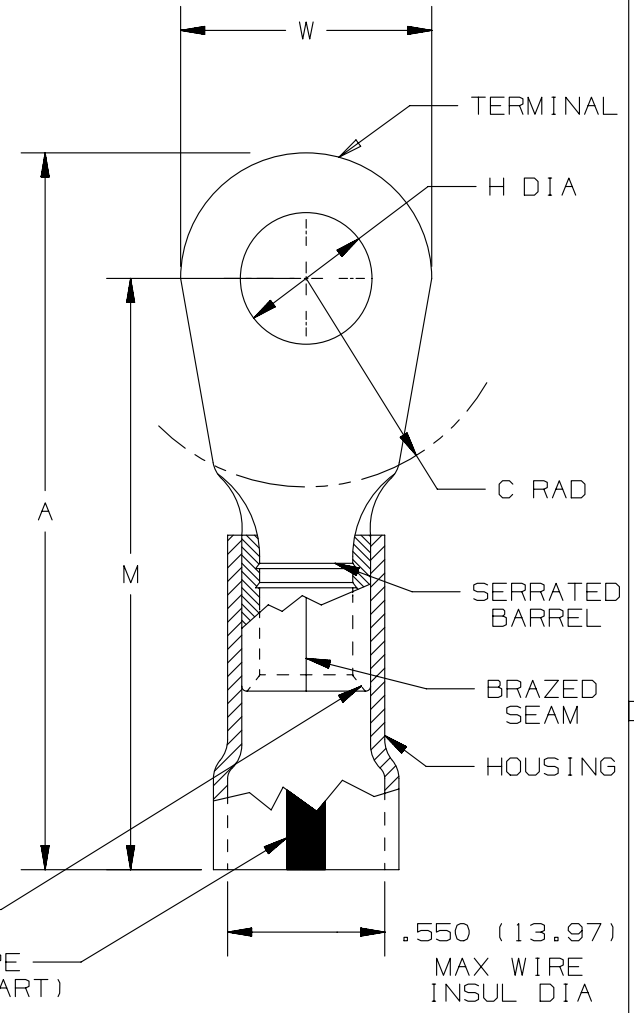


THIS COPY IS PROVIDED ON A RESTRICTED BASIS AND IS NOT TO BE USED IN ANY WAY DETRIMENTAL TO THE INTERESTS OF PANDUIT CORP.

PANDUIT PART NUMBER	STUD SIZE	DIMENSIONS - IN.					TOOL
		A±.03	W±.01	C±.02	M±.03	H±.01	
PK2-10R	#10	1.95 (49.53)	.68 (17.27)	.58 (14.73)	1.61 (40.89)	.20 (5.08)	CT-2600 WITH DIE # CD-2600-PV2
PK2-14R	1/4"	1.95 (49.53)	.68 (17.27)	.58 (14.73)	1.61 (40.89)	.27 (6.86)	
PK2-56R	5/16"	1.95 (49.53)	.68 (17.27)	.58 (14.73)	1.61 (40.89)	.33 (8.38)	
PK2-38R	3/8"	1.95 (49.53)	.68 (17.27)	.58 (14.73)	1.61 (40.89)	.39 (9.91)	
PK2-12R	1/2"	2.04 (51.82)	.86 (21.84)	.58 (14.73)	1.61 (40.89)	.52 (13.21)	



NOTES:

- RATED FOR:
  - A. #2 AWG STRANDED COPPER WIRE
- SEE [www.panduit.com](http://www.panduit.com) FOR PART NUMBER SUFFIX DESIGNATION FOR PACKAGE SIZE.
- MATERIAL:
  - A. STAMPING - .060" (1.52) THK COPPER, TIN PLATED
  - B. HOUSING - KYNAR, RED STRIPE
- DIMENSIONS IN BRACKETS ARE IN MILLIMETERS
- WIRE STRIP LENGTH: 1/2" +1/32" (12.7 +0.8) -0 -0.0



LISTED 587H E52164

BEVELED EDGE  
RED COLOR STRIPE (3 PLCS @ 120° APART)  
.550 (13.97) MAX WIRE INSUL DIA

TITLE		#2 BARREL KYNAR INSULATED RING TONGUE .550 (13.97) MAX. WIRE INSUL. DIAMETER		
CUSTOMER DRAWING				
ITEM REVISION NAME		N41713BA/02		
DATASET FILE NAME		N41713BA/02		
UNLESS OTHERWISE SPECIFIED, DIMENSIONAL TOLERANCES ARE: IN (mm)		MATERIAL: SEE NOTES		
.X ± .XX ±		.XXX ± ANGLES ±		
THIRD ANGLE PROJECTION		DRAWING NUMBER: A41713		
DRAWN BY	DATE	CHK	SCALE	SIZE
JHNU	2/05		N/A	A

REV	DATE	BY	CHK	APR	DESCRIPTION	ECN
02	5/14	JHNU	JHNU	RGB	REVISED TABLE: ADDED TOOL INFORMATION ADDED UL LOGO REVISED TITLE BLOCK	N41713BA-A41713

D10100DA/16