

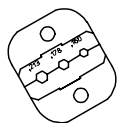
13 12 11 10 9 8 7 6 5 4 3 2 1

MATERIALS

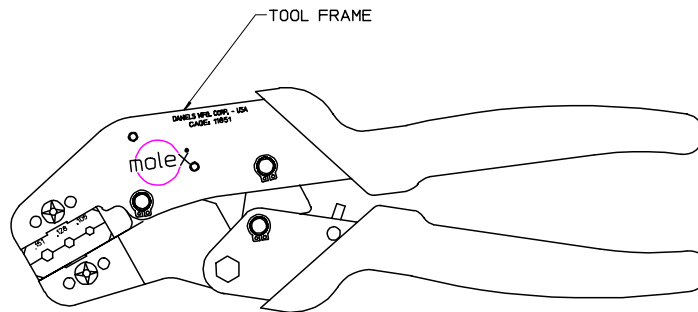
TOOL FRAME AND CRIMP DIE SETS  
HIGH CARBON STEEL

CUSHIONED HANDLES

INTERCHANGEABLE DIE SETS



DIE SET 2



PART # 73415-4550

2	.213
	.178
	.160
1	.151
	.128
	.105
DIE SET	HEX SIZE

CHG: RELEASE  
DRAWING. UPDATED  
BORDER.

EC. NO: URF2008-0128  
DRAWN: ARBERTSON 2007/09/04  
CHKD: 2007/09/04  
APPR: JIM EIDER 2007/09/04

REVISIONS  
DESCRIPTION

QUALITY SYMBOLS  
  
 GENERAL TOLERANCES (UNLESS SPECIFIED)  
 4 PLACES ± --- ± ---  
 3 PLACES ± --- ± ---  
 2 PLACES ± --- ± ---  
 1 PLACE ± --- ± ---  
 ANGULAR ±1/2°  
 DRAFT WHERE APPLICABLE  
 MUST REMAIN  
 WITHIN DIMENSIONS

DIMENSION STYLE  
MM/IN  
 DRAWN BY DATE  
AZR 2004/01/06  
 CHECKED BY DATE  
SSS 2004/01/06  
 APPROVED BY DATE  
JDW 2004/10/06  
 MATERIAL NO.  
734154550

SCALE ---  
 DESIGN UNITS METRIC  
 THIRD ANGLE PROJECTION  
 TITLE  
PRECISION HEX CRIMP TOOL  
W/INTERCHNG DIE SETS  
 MOLEX INCORPORATED  
 DOCUMENT NO. SD-73415-455  
 SHEET NO. 1 OF 1

12 11 10 9 8 7 6 5 4 3 2 1