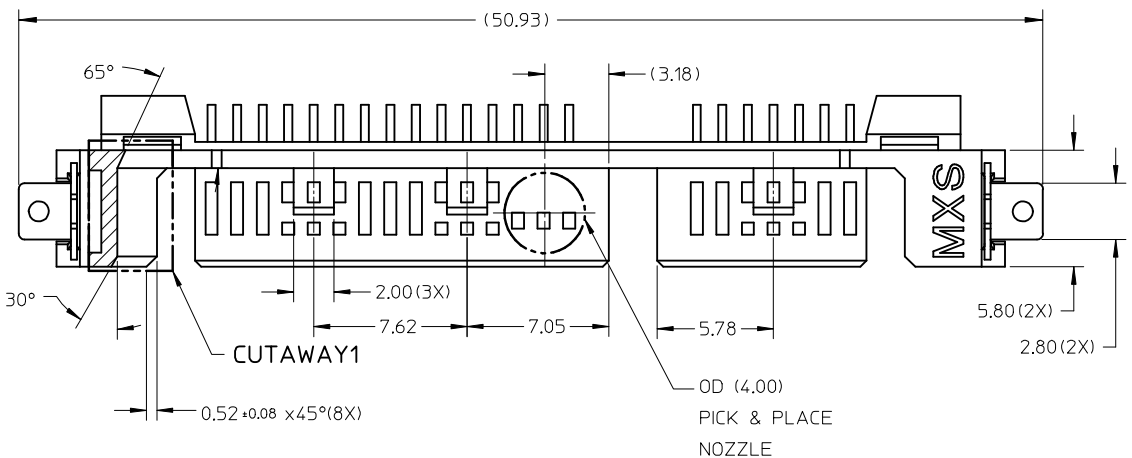
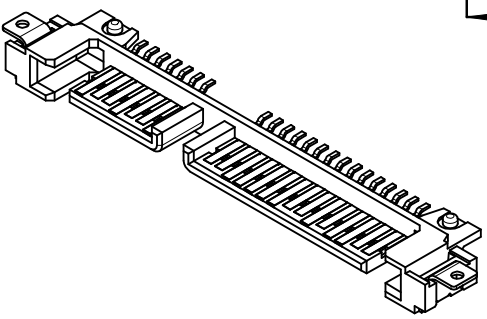
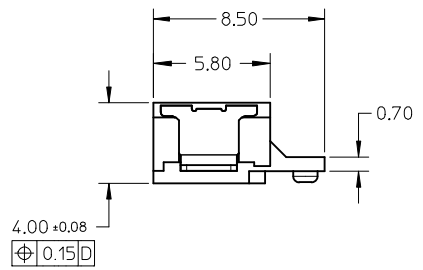
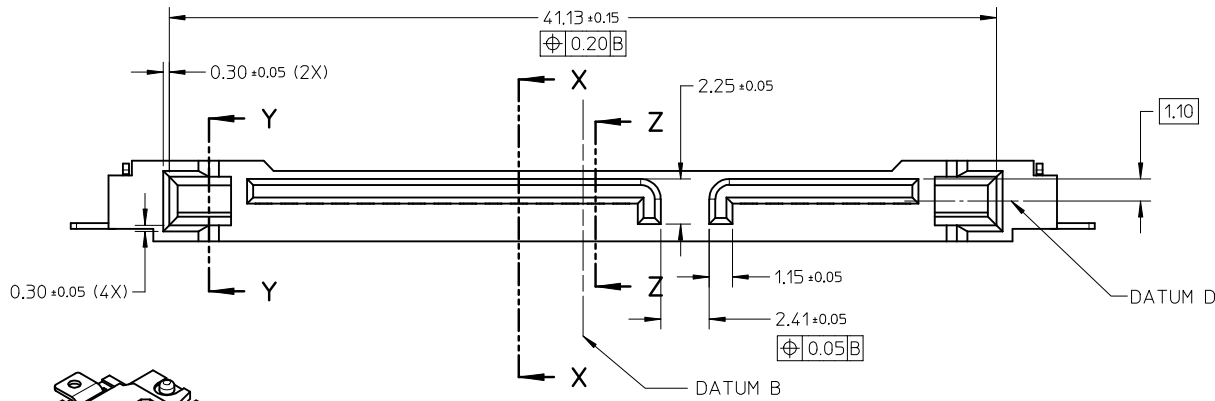


PART NUMBER	PACKAGING
87703-0001	TRAY
87703-0068	TAPE & REEL



- NOTES:
- MATERIAL:  
HOUSING: LIQUID CRYSTALLINE POLYMER (LCP), GLASS FILLED  
UL 94V-0, COLOR: BLACK  
CONTACTS & SMT NAILS: COPPER ALLOY
  - PLATING FINISH ON CONTACTS AND SOLDERTAILS:  
0.127µm MIN. GOLD FLASH OVER 1.27µm MIN. NICKEL UNDERPLATE
  - PLATING FINISH ON SMT NAILS:  
3.18µm MIN. TIN OVER 1.27µm MIN. NICKEL UNDERPLATE
  - PRODUCT SPECIFICATION: PS-87703-017 APPLIES
  - PRODUCT CONFORMS TO SERIAL ATA SPECIFICATION.
  - PACKAGING: SEE TABLE
  - PRODUCT IS COMPLIANT TO RoHS DIRECTIVE WITH THE FOLLOWING BANNED SUBSTANCES - LEAD, MERCURY, CADMIUM, HEXAVALENT CHROMIUM, POLYBROMINATED BIPHENYLS AND POLYBROMINATED DIPHENYL ETHERS.
  - MATES WITH: SATA RECEPTACLE SERIES: 87678, 87701, 87713, 87779, 87780, 87781  
SFF-8482 RECEPTACLE SERIES: 87824, 87839, 87863, 87970



OBS P/N: 87703-0067 EC NO: S2014-0743 DRWN:SKANG 2014/02/07 CHKD:MLONG 2014/03/31 APPR:MLONG 2014/03/31	QUALITY SYMBOLS F <sub>A</sub> =0 F <sub>C</sub> =0 F <sub>P</sub> =0	GENERAL TOLERANCES (UNLESS SPECIFIED)		DIMENSION STYLE MM ONLY		SCALE NTS	DESIGN UNITS METRIC	THIRD ANGLE PROJECTION		
			mm	INCH	DRAWN BY RSHAN	DATE 2002/11/18	TITLE SERIAL ATA PLUG 2.5 INCH HDD			
		4 PLACES	± ---	± ---	CHECKED BY KCL ING	DATE 2002/12/18	MOLEX INCORPORATED			
		3 PLACES	± ---	± ---	APPROVED BY SKTOH	DATE 2002/12/18				
	2 PLACES	± 0.20	± ---	MATERIAL NO. SEE TABLE		DOCUMENT NO. SD-87703-002	SHEET NO. 1 OF 5			
	1 PLACE	± ---	± ---	DRAFT WHERE APPLICABLE MUST REMAIN WITHIN DIMENSIONS						
		ANGULAR ± 3 °		THIS DRAWING CONTAINS INFORMATION THAT IS PROPRIETARY TO MOLEX INCORPORATED AND SHOULD NOT BE USED WITHOUT WRITTEN PERMISSION						

10 9 8 7 6 5 4 3 2 1

F

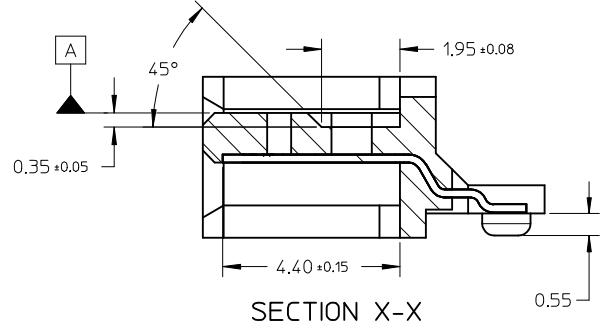
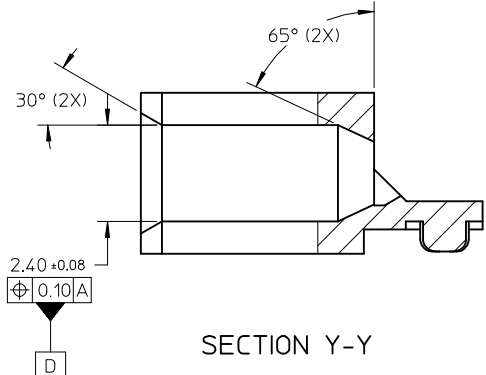
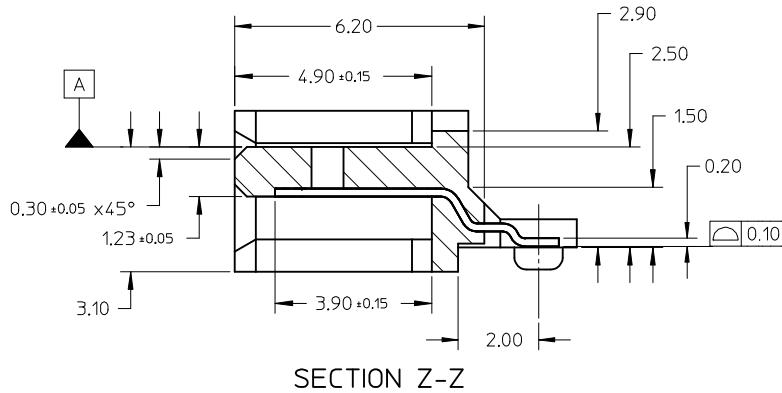
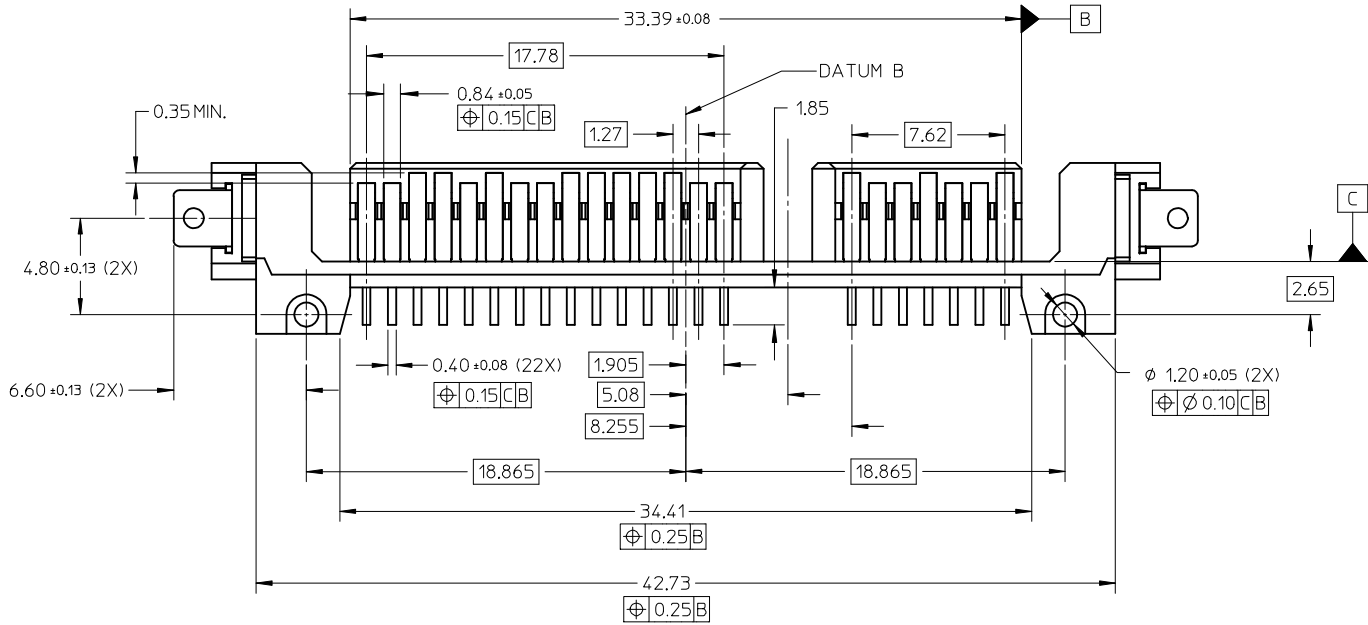
E

D

C

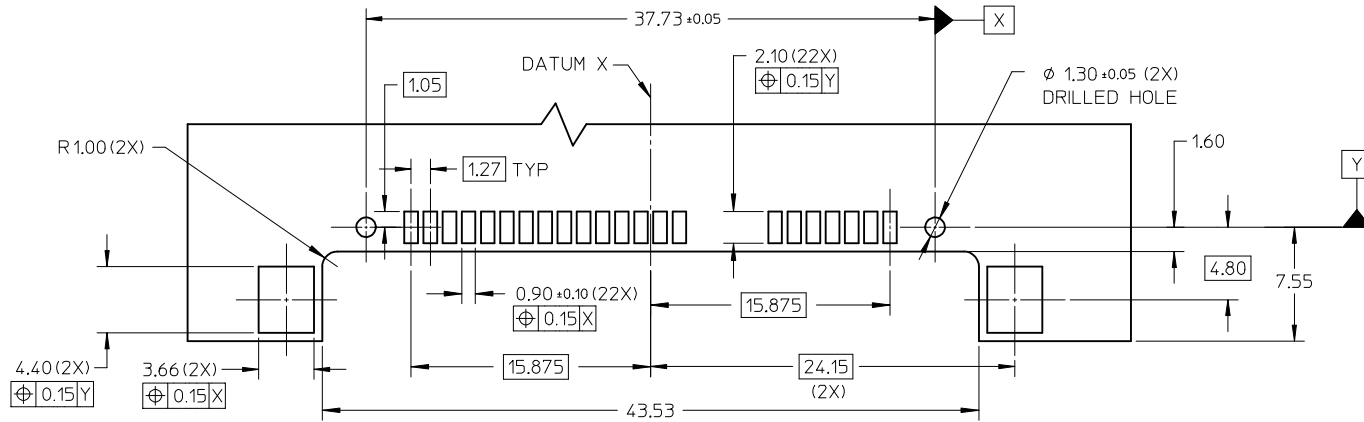
B

A



OBS P/N: 87703-0067 EC NO: SZ014-0743 DRWN: SKANG 2014/02/07 CHKD: MLONG 2014/03/31 APPR: MLONG 2014/03/31	QUALITY SYMBOLS	GENERAL TOLERANCES (UNLESS SPECIFIED)		DIMENSION STYLE		SCALE	DESIGN UNITS	THIRD ANGLE PROJECTION	
	▽=0	mm	INCH	MM ONLY		NTS	METRIC		
	▽=0	4 PLACES ± --- ± ---		DRAWN BY	DATE	TITLE			
	▽=0	3 PLACES ± --- ± ---		RSHAN	2002/11/18	SERIAL ATA PLUG			
	▽=0	2 PLACES ± 0.20 ± ---		CHECKED BY	DATE	2.5 INCH HDD			
	1 PLACE ± --- ± ---		KCLING	2002/12/18	APPROVED BY		DATE		MOLEX INCORPORATED SD-87703-002
	ANGULAR ± 3°		SKTOH	2002/12/18	MATERIAL NO.		DOCUMENT NO.		
		DRAFT WHERE APPLICABLE MUST REMAIN WITHIN DIMENSIONS			SEE TABLE				SHEET NO.
					THIS DRAWING CONTAINS INFORMATION THAT IS PROPRIETARY TO MOLEX INCORPORATED AND SHOULD NOT BE USED WITHOUT WRITTEN PERMISSION				2 OF 5

9 8 7 6 5 4 3 2 1



RECOMMENDED PCB LAYOUT  
PCB THICKNESS : 0.50±0.08

OBS P/N: 87703-0067 EC NO: S2014-0743 DRWN:SKANG 2014/02/07 CHKD:MLONG 2014/03/31 APPR:MLONG 2014/03/31	QUALITY SYMBOLS F <sub>A</sub> =0 F <sub>C</sub> =0 F <sub>P</sub> =0	GENERAL TOLERANCES (UNLESS SPECIFIED)		DIMENSION STYLE	SCALE	DESIGN UNITS	THIRD ANGLE PROJECTION	
		mm	INCH	MM ONLY	NTS	METRIC		
		4 PLACES ± --- ± ---	3 PLACES ± --- ± ---	DRAWN BY	DATE	TITLE		
		2 PLACES ± 0.20 ± ---	1 PLACE ± --- ± ---	RSHAN	2002/11/18	SERIAL ATA PLUG 2.5 INCH HDD		
		ANGULAR ± 3 °		CHECKED BY	DATE	MOLEX INCORPORATED		
		DRAFT WHERE APPLICABLE MUST REMAIN WITHIN DIMENSIONS		APPROVED BY	DATE	DOCUMENT NO.	SHEET NO.	
				SKTOH	2002/12/18	SD-87703-002	3 OF 5	
				MATERIAL NO.	THIS DRAWING CONTAINS INFORMATION THAT IS PROPRIETARY TO MOLEX INCORPORATED AND SHOULD NOT BE USED WITHOUT WRITTEN PERMISSION			
				SEE TABLE				

10 9 8 7 6 5 4 3 2 1

F

E

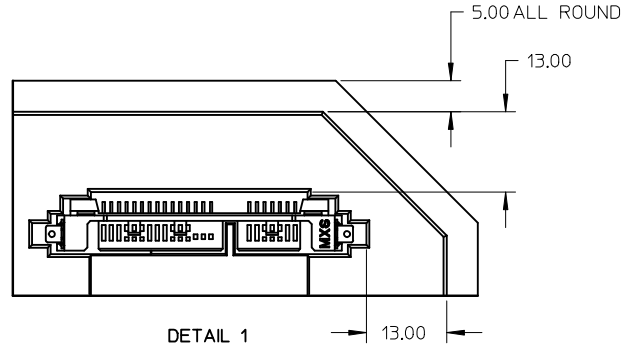
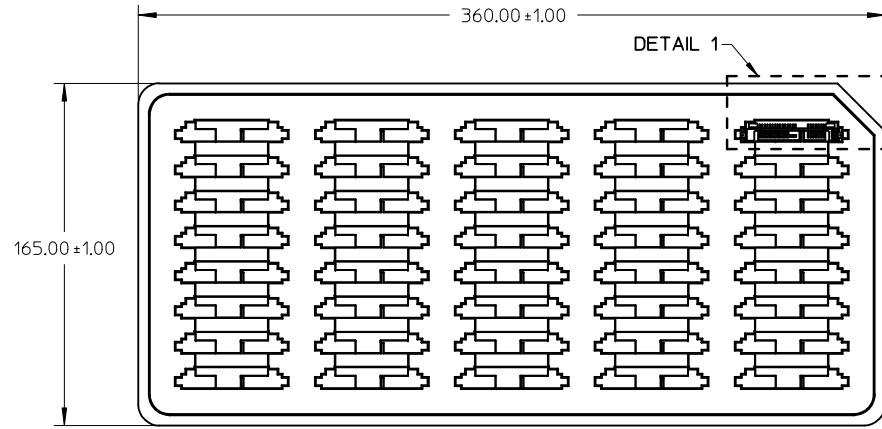
D

C

B

A

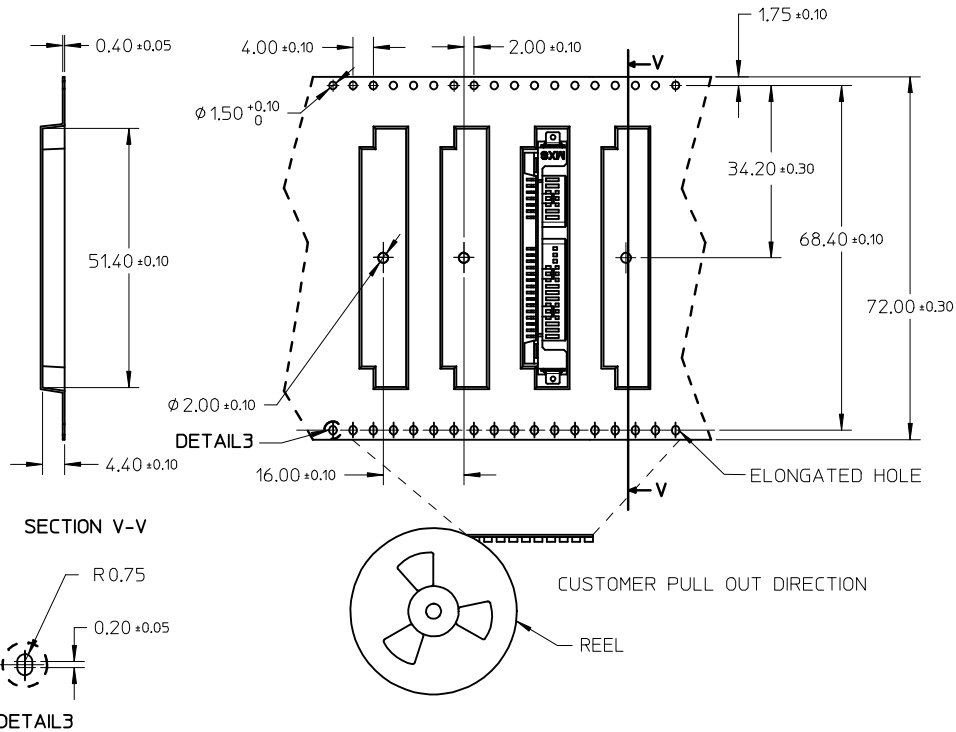
TRAY PACKAGING



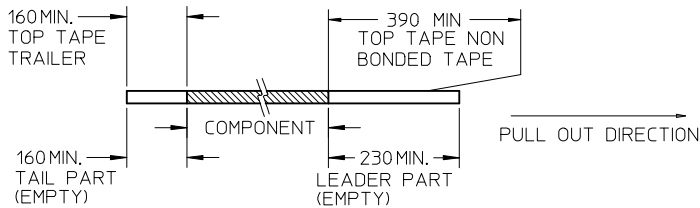
OBS P/N: 87703-0067 EC NO: S2014-0743 DRWN:SKANG 2014/02/07 CHKD:MLONG 2014/03/31 APPR:MLONG 2014/03/31	DESCRIPTION REV	QUALITY SYMBOLS	GENERAL TOLERANCES (UNLESS SPECIFIED)		DIMENSION STYLE MM ONLY		SCALE NTS	DESIGN UNITS METRIC	THIRD ANGLE PROJECTION		
		$F_A=0$	mm	INCH	DRAWN BY	DATE	TITLE				
		$F_G=0$	4 PLACES ± ---	± ---	RSHAN	2002/11/18	SERIAL ATA PLUG 2.5 INCH HDD				
		$F_B=0$	3 PLACES ± ---	± ---	CHECKED BY	DATE	MOLEX INCORPORATED				
		2 PLACES ± 0.20	± ---	KCLING	2002/12/18	DOCUMENT NO.					
		1 PLACE ± ---	± ---	APPROVED BY	DATE	SHEET NO.					
		ANGULAR ± 3 °		SKTOH	2002/12/18	4 OF 5					
		DRAFT WHERE APPLICABLE MUST REMAIN WITHIN DIMENSIONS			SEE TABLE		SD-87703-002				
					SIZE A3	THIS DRAWING CONTAINS INFORMATION THAT IS PROPRIETARY TO MOLEX INCORPORATED AND SHOULD NOT BE USED WITHOUT WRITTEN PERMISSION					

9 8 7 6 5 4 3 2 1

TAPE & REEL PACKAGING



NOTES:  
1. LEADER AND TRAILER TAPE



2. PEELING OFF FORCE OF THE TOP TAPE: 20 - 60gf.  
(PEELING DIRECTION AS SHOWN IN FOLLOWING FIGURE)



- 3. TAPE AND REEL SPECIFICATION IS AS PER EIA-481.
- 4. TAPE AND REEL QUANTITY : 850 PCS/ REEL.
- 5. THE TAPE IS TREATED FOR ANTI-STATIC.

OBS P/N: 87703-0067 EC NO: S2014-0743 DRW:SKANG 2014/02/07 CHKD:MLONG 2014/03/31 APPR:MLONG 2014/03/31	DESCRIPTION REV	QUALITY SYMBOLS	GENERAL TOLERANCES (UNLESS SPECIFIED)	DIMENSION STYLE MM ONLY	SCALE NTS	DESIGN UNITS METRIC	THIRD ANGLE PROJECTION
		$F_A=0$ $F_G=0$ $F_P=0$	mm    INCH 4 PLACES ± --- ± --- 3 PLACES ± --- ± --- 2 PLACES ± 0.20 ± --- 1 PLACE ± --- ± --- ANGULAR ± 3 °	DRAWN BY: RSHAN    DATE: 2002/11/18 CHECKED BY: KCL ING    DATE: 2002/12/18 APPROVED BY: SKTOH    DATE: 2002/12/18	TITLE	SERIAL ATA PLUG 2.5 INCH HDD	
		DRAFT WHERE APPLICABLE MUST REMAIN WITHIN DIMENSIONS		MATERIAL NO. SEE TABLE	MOLEX INCORPORATED DOCUMENT NO. SD-87703-002	SHEET NO. 5 OF 5	
		THIS DRAWING CONTAINS INFORMATION THAT IS PROPRIETARY TO MOLEX INCORPORATED AND SHOULD NOT BE USED WITHOUT WRITTEN PERMISSION					