



708

SWINGHANDLE



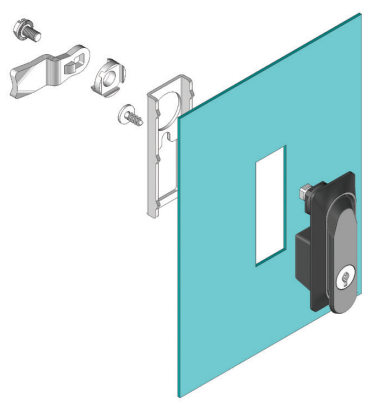
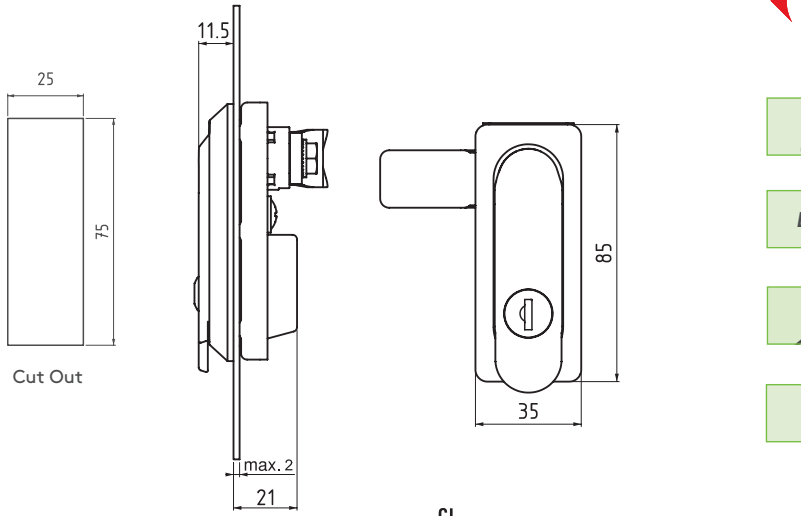
LH/RH



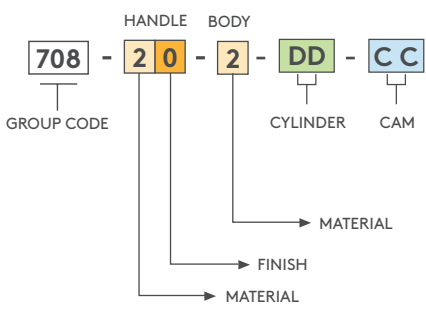
- Can be used for internal applications
- 25 X 75 mm cut out

APPLICATIONS
Electric panels, machinery covers,

MATERIAL
 BODY: Polyamide DIN-EN ISO 1043-1 PA6 GFR 30
 HANDLE: Polyamide DIN-EN ISO 1043-1 PA6 GFR 30
 CYLINDER: Zamak DIN-EN 1774-ZnAl4Cu1
 CAM: Steel
 SEAL: Polyurethane



PRODUCT CODE



CYLINDER TYPE		DD
	Stainless steel dust cap (Keyed alike)	03
	Stainless steel dust cap (Keyed differ)	32
	Master system	04
	Euro key (5333)	05
	CH751 (Stainless steel dust cap)	07

For cams please check pages: 144 - 145