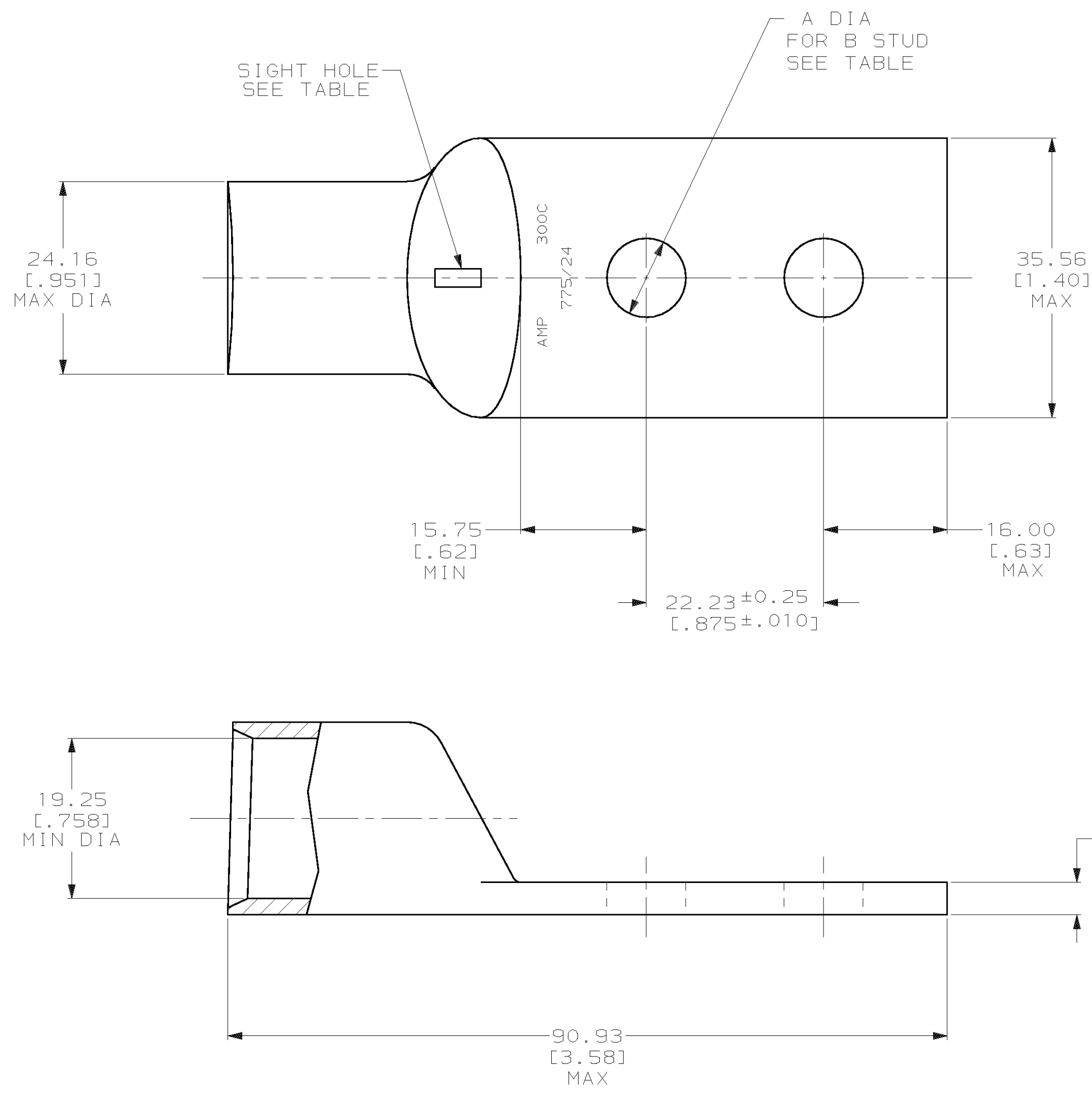


THIS DRAWING IS UNPUBLISHED. RELEASED FOR PUBLICATION  
 © COPYRIGHT 19 BY AMP INCORPORATED. ALL INTERNATIONAL RIGHTS RESERVED.

LOC		DIST		P		F		ZONE		LTR		REVISIONS	
DESCRIPTION		DATE		APPD									
G	86											E	REV PER 0G3A-0561-01
												07OCT02	JR MS



1 CIRCULAR MIL AREA RANGE: 275-325 MCM  
 2 TIN PL 0.00381 [.000150] MIN THK PER MIL-T-10727

OBSOLETE	.208 lbs	REQD	9.91 [.390]	3/8	276917-2
	.211 lbs	NONE	8.33 [.328]	5/16	276917-1
	WEIGHT	SIGHT HOLE	A	B	PART NO

DO NOT SCALE PRINT. UNLESS SPECIFIED DIMENSIONS IN mm [INCHES] TOLERANCES ON : 2 PLC DEC ± 0.51 [.020] 3 PLC DEC ± - ANGLES ± -	DR 03/09/90 DK SCHRUM	AMP INCORPORATED Harrisburg, Pa. 17105	
	CHK 23JAN95 MS FEHER		
MATERIAL	APPD 23JAN95 TL SHUTTER	NAME	
ANNEALED COPPER ASTM B-75	PRODUCT SPEC 108-30200	TERMINAL, AMPOWER, WIRE SIZE: 300 MCM	
FINISH	APPLICATION SPEC	SIZE	CAGE CODE
	-	C	00779
	WEIGHT	SCALE	DRAWING NO
	-	2:1	276917
			SHEET 1 OF 1

