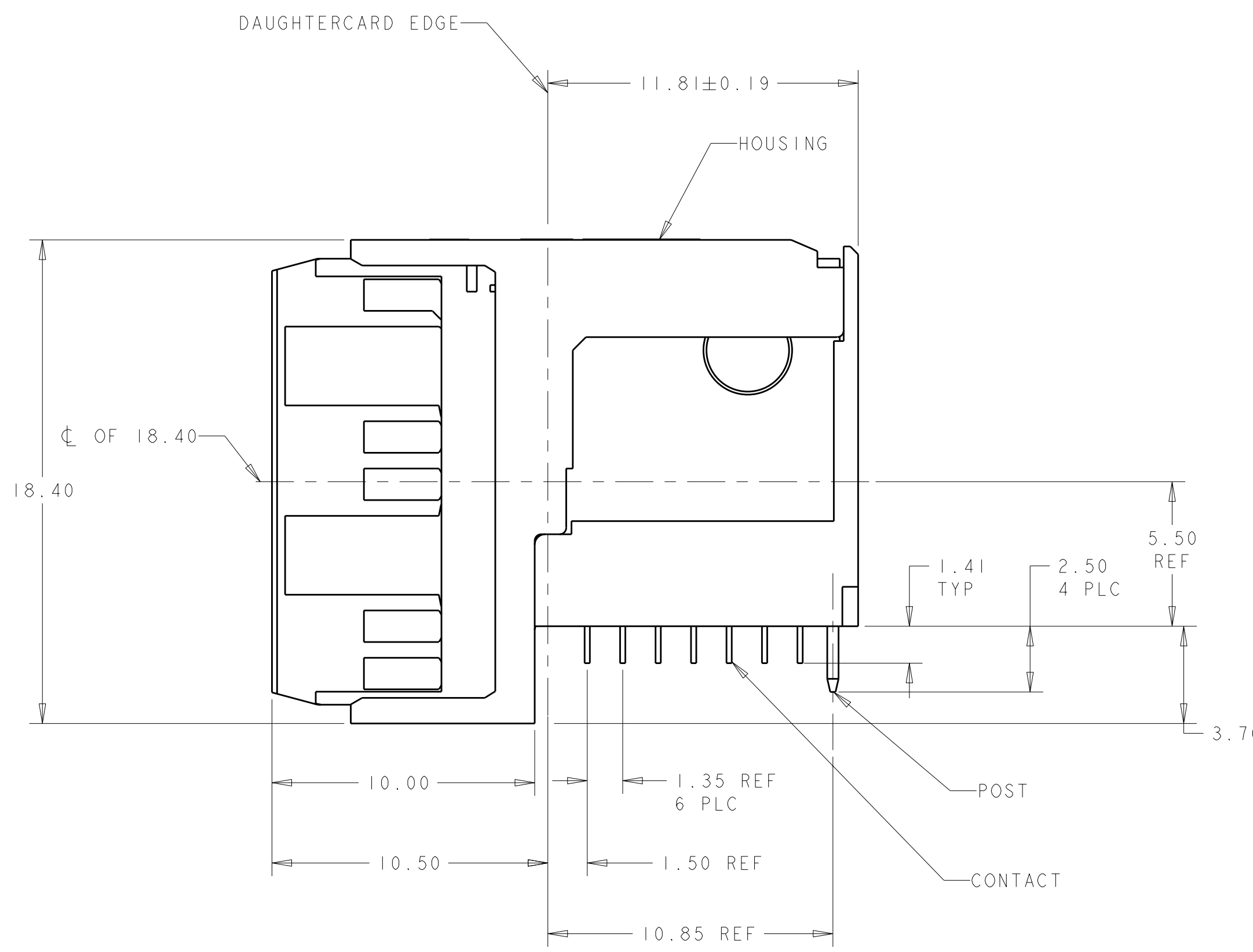
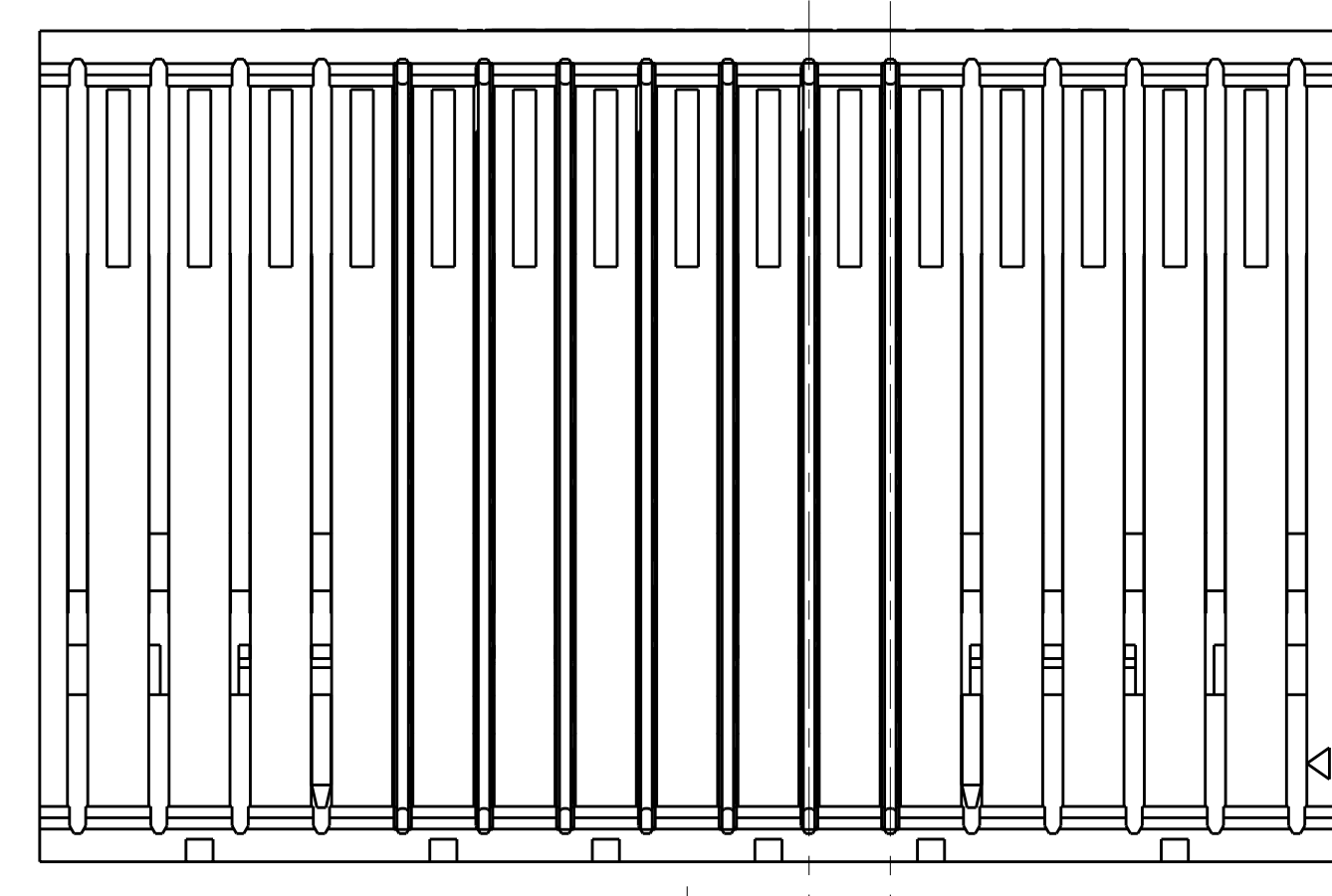


| LOC | DIST | REV | DATE | DWN | APVD |
|---------------------------|------|-----|-----------|-----|------|
| GP | 00 | A1 | 04MAY2012 | KH | AS |
| REVISIONS | | | | | |
| DESCRIPTION | | | DATE | DWN | APVD |
| REVISED PER ECO-12-008364 | | | | | |



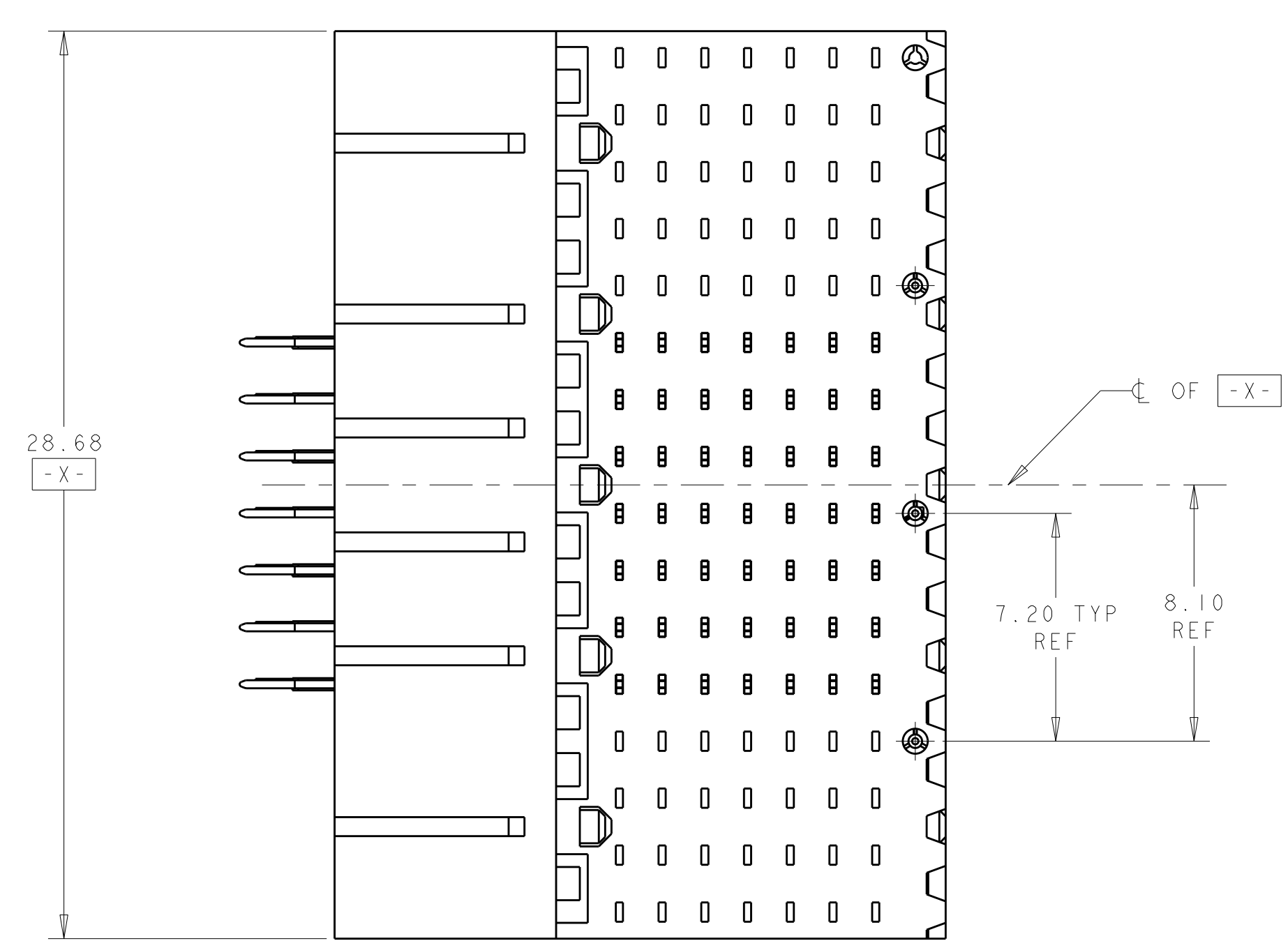
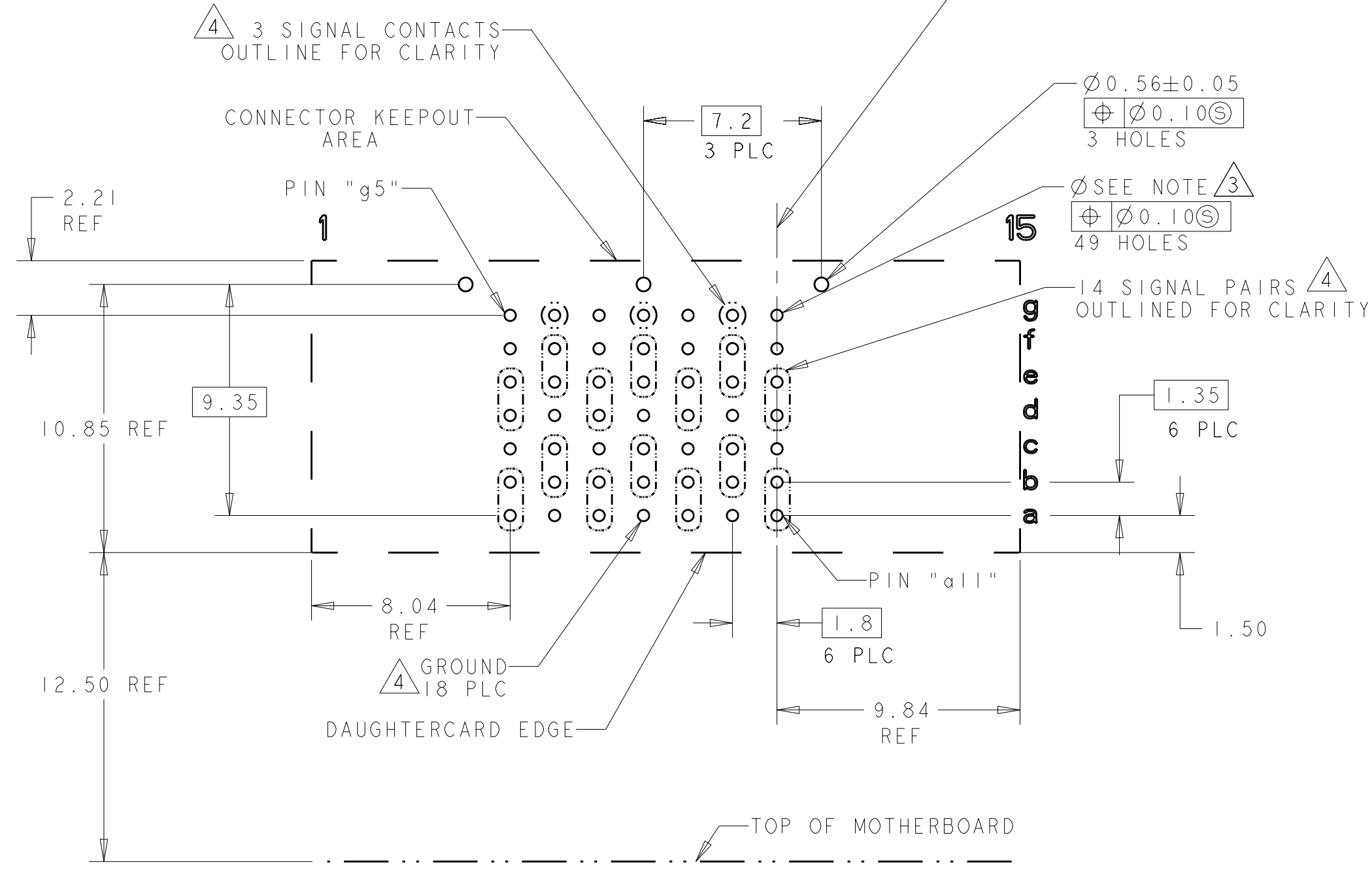
- 1 HOUSING: LCP, UL94V0, COLOR: BLACK.
CONTACT: PHOSPHOR BRONZE.
POST: BRASS WIRE
- 2 CONTACT: 0.76µm MIN GOLD IN PAD CONTACT AREA
1.27µm MIN TIN-LEAD ON PCB TAIL
OVER 1.27µm MIN NICKEL OVER ALL.
POST: 1.27µm MIN NICKEL PLATED.
- 3 MANUFACTURING TOLERANCE FOR Ø0.46±0.05
DIAMETER FINISHED HOLE WITH Sn /PB PLATING:
DRILLED HOLE = Ø0.55±0.02
COPPER PLATING = 0.025-0.050
Sn /PB PLATING = 0.0038-0.0124
OR
MANUFACTURING TOLERANCE FOR Ø0.475±0.05
DIAMETER FINISHED HOLE WITHOUT Sn /PB PLATING:
DRILLED HOLE = Ø0.55±0.02
COPPER PLATING = 0.025-0.050
- 4 SEE TABLE 1 FOR INTERCONNECTIONS TO
BACKPLANE CONNECTOR.
- 5 CONTACT: 0.76µm MIN GOLD IN PAD CONTACT AREA
1.27µm MIN TIN ON PCB TAIL OVER 1.27µm MIN
NICKEL OVER ALL.
POST: 1.27µm MIN NICKEL PLATED.

TABLE 1
INTERCONNECTIONS WITH BACKPLANE CONNECTOR 1410140

| TYPICAL INTERCONNECTIONS FOR EACH EVEN-NUMBERED COLUMN (WAFER): 6,8,10 | | |
|--|----------------------------|-------------------------|
| CONTACT USAGE | DAUGHTERCARD CONNECTOR PIN | BACKPLANE CONNECTOR PIN |
| SIGNAL PAIR | bx | cx |
| SIGNAL PAIR | cx | dx |
| SIGNAL PAIR | ex | gx |
| SIGNAL PAIR | fx | hx |
| GROUND | ax, dx, gx, (ALL COMMONED) | ax, bx, ex, fx, ix |

| TYPICAL INTERCONNECTIONS FOR EACH ODD-NUMBERED COLUMN (WAFER): 5,7,9,11 | | |
|---|----------------------------|-------------------------|
| CONTACT USAGE | DAUGHTERCARD CONNECTOR PIN | BACKPLANE CONNECTOR PIN |
| SIGNAL PAIR | ax | ax |
| SIGNAL PAIR | bx | bx |
| SIGNAL PAIR | dx | ex |
| SIGNAL PAIR | ex | fx |
| SIGNAL PAIR | gx | ix |
| GROUND | cx, fx (ALL COMMONED) | cx, dx, gx, hx |

NOTE: "x" DESIGNATES THE COLUMN NUMBER



PC BOARD LAYOUT (CONNECTOR SIDE)
SCALE: 5:1

| | | | |
|--|-----|--|-----------------|
| THIS DRAWING IS A CONTROLLED DOCUMENT. | | DWN: B. CARBO 07SEP2006 | 1410303-2 |
| DIMENSIONS: mm | | CHK: G. GRIFFITH 07SEP2006 | 1410303-1 |
| TOLERANCES UNLESS OTHERWISE SPECIFIED: | | APVD: G. GRIFFITH 07SEP2006 | PLATING PART NO |
| 9 PLC ± | 0.5 | NAME: RIGHT-ANGLE PLUG ASSEMBLY, 7 ROW, CENTER, 20.3mm, MultiGig RT2, DAUGHTERCARD CONNECTOR, DIFFERENTIAL | |
| 3 PLC ±0.5 | | PRODUCT SPEC: 108-2072 | |
| 5 PLC ±0.13 | | APPLICATION SPEC: 114-13056 | |
| 4 PLC ± | | SIZE: 114-13056 | |
| ANGLES ±1° | | WEIGHT: - | |
| MATERIAL: SEE TABLE | | FINISH: - | |
| CUSTOMER DRAWING | | SCALE: 5:1 | SHEET 1 OF 1 |