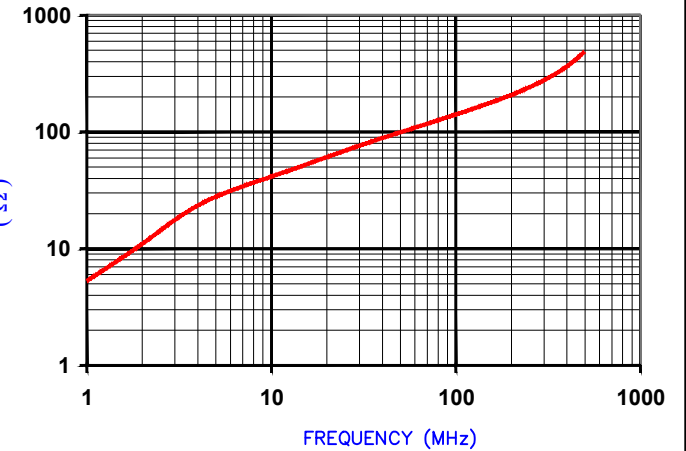


SEE DETAIL "A"
SECTION A-A

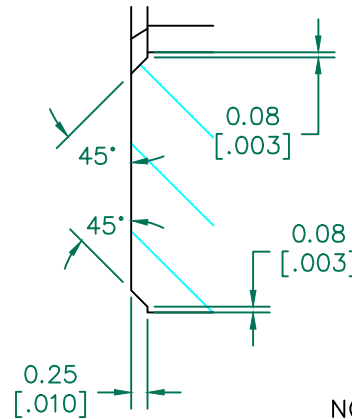
IMPEDANCE (Z)			
Frequency	25 MHz	100 MHz	300 MHz
Nominal (REF)	69 Ω	141 Ω	273 Ω
Minimum	- Ω	113 Ω	- Ω

Z vs. FREQUENCY
(REF. ONLY)



AGILENT E4991A Impedance/Material Analyzer
HP 16092A Test Fixture REF# 4851

UNCONTROLLED DOCUMENT



DETAIL "A"
SCALE: 9:1
(TYPICAL)

NOTES: UNLESS OTHERWISE SPECIFIED

1. COSMETIC SPECIFICATION REFER TO WI-QA-038.

FERRITE CORE DIMENSIONS (SPEC): mm [in]

A	19.64 [.773]	±	0.29 [.012]
B	11.64 [.458]	±	0.18 [.007]
C	12.70 [.500]	±	0.25 [.010]
D	13.10 [.516]	±	0.20 [.008]
E	5.10 [.201]	±	0.08 [.003]

WEIGHT/1000 10.66 kgs 23.51 Lbs

SCALE DRAWING 1:1



28B0773-050

RoHS

DIMENSIONS ARE IN MM [INCHES].				This print is the property of Laird Tech. and is loaned in confidence subject to return upon request and with the understanding that no copies shall be made without the written consent of Laird Tech. All rights to design or invention are reserved.		Laird		
H	UPDATE THE LOGO	05/13/15	QIU	PROJECT/PART NUMBER: 28B0773-050		REV	DRAWN BY:	
G	UPDATE COMPANY LOGO	12/28/12	QIU			H	TMB	
F	UPDATE MIN. Z SPEC @ 100 MHZ	06/13/07	JRK			SCALE: 2 : 1		MATERIAL:
E	UPDATE COMPANY LOGO	05/09/07	TMB					FERRITE
D	ADJUST 100 MHz MIN VALUE UPDATE DETAIL A	09/22/06	TMB			CAD #	TOOL #	
C	SWAP B & D DIMENSION CALLOUTS ADJUST 100 MHz MINIMUM VALUE	12/13/05	TMB	28B0773-050-H	B0773			
B	ADD Z SPECS AND CURVE	05/17/05	TMB	DATE: 03/29/05	SCALE: 2 : 1			
A	ORIGINAL DRAFT	03/29/05	TMB					
REV	DESCRIPTION	DATE	INT					