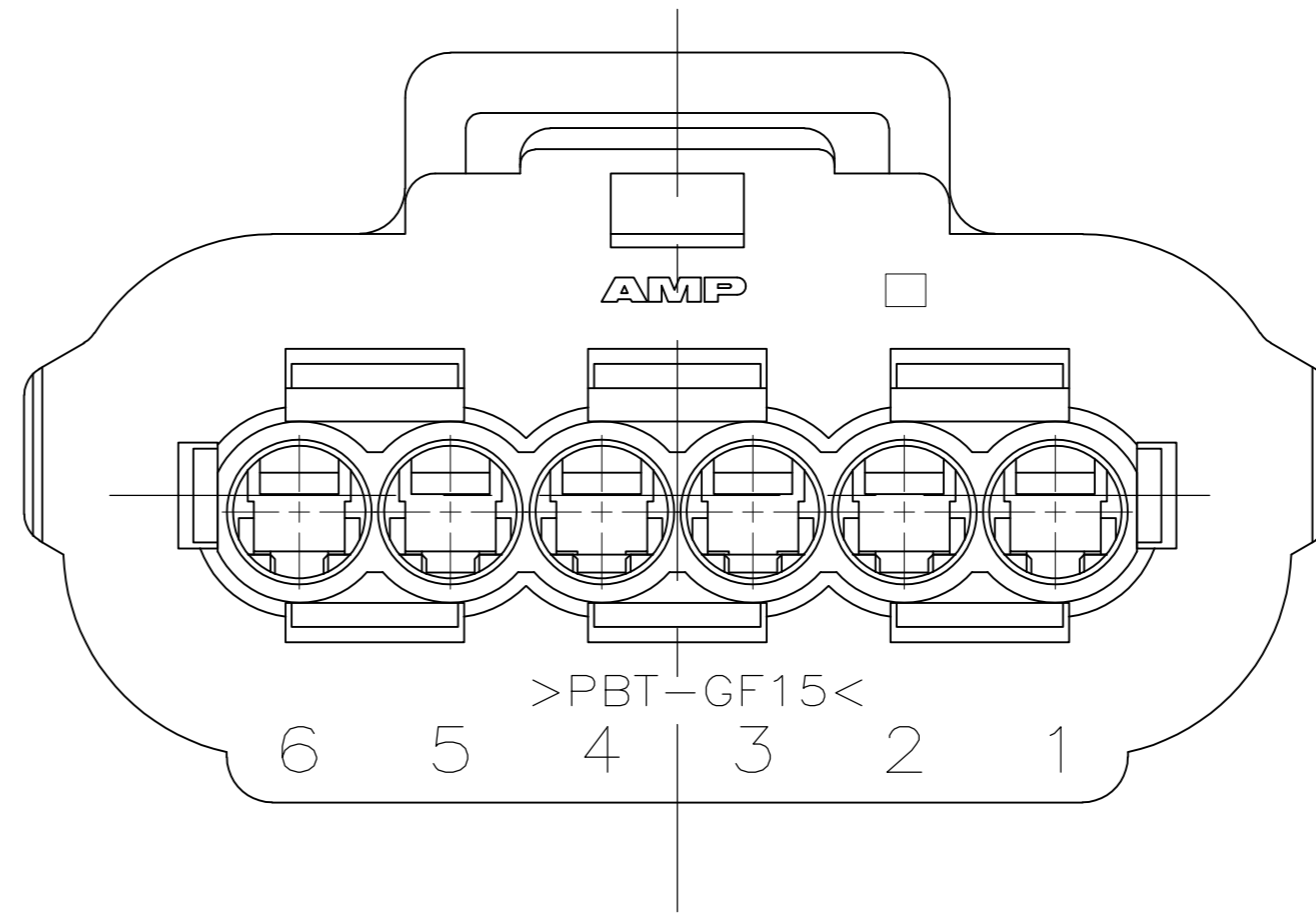
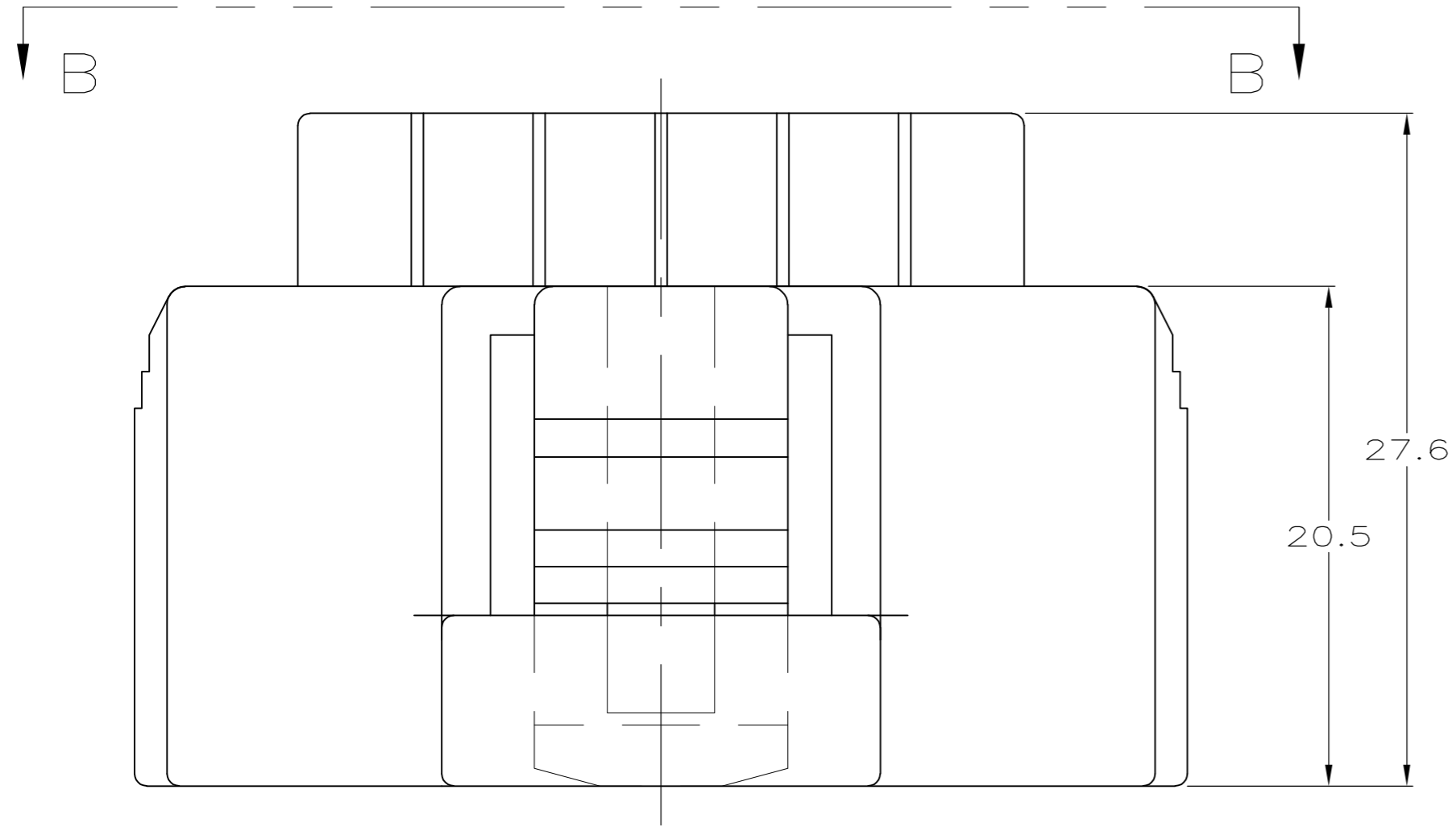
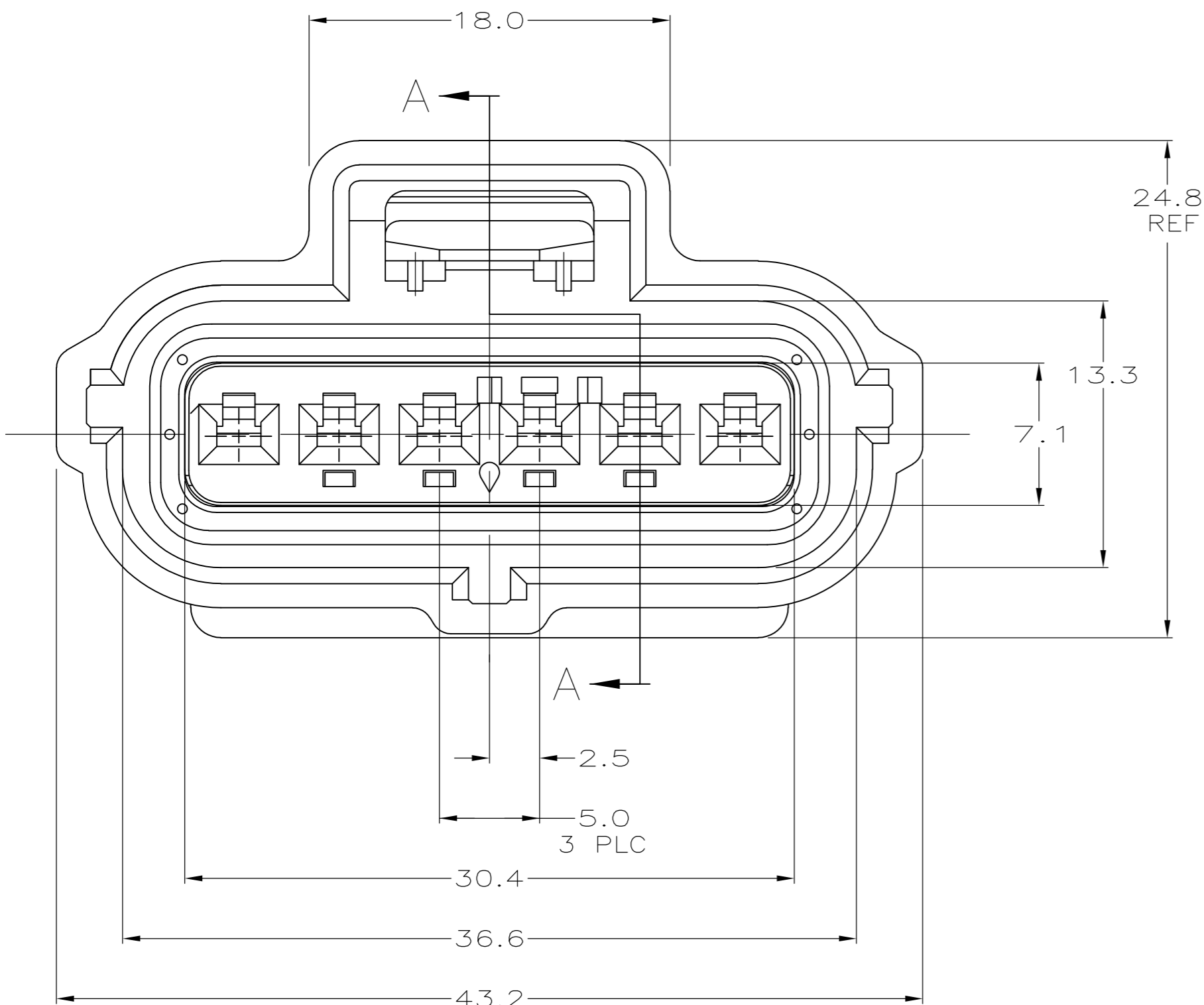


THIS DRAWING IS UNPUBLISHED. RELEASED FOR PUBLICATION  
 © COPYRIGHT - By - ALL RIGHTS RESERVED.

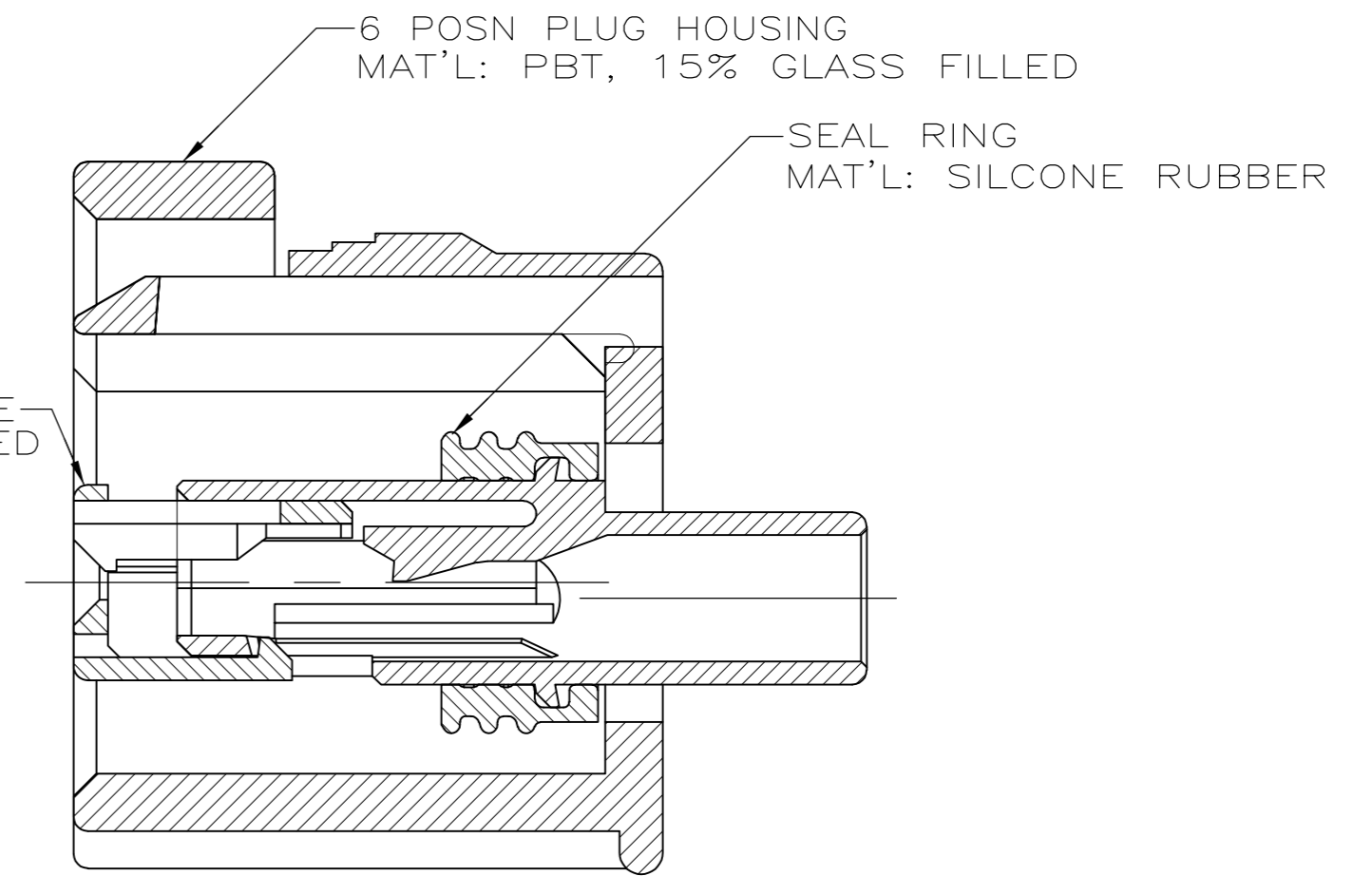
LOC		DIST		REVISIONS			
P	LTR	DESCRIPTION		DATE	DWN	APVD	
G	16	C1	REVISED PER ECO-11-005030		11MAR11	RK	HMR



VIEW B-B



6 POSN DBL LOCK PLATE  
 MAT'L: PBT, 15% GLASS FILLED



SECTION A-A

184060-1  
 PART NUMBER

THIS DRAWING IS A CONTROLLED DOCUMENT.		DWN	KD LYTLE	09/22/95	<b>STE</b> TE Connectivity
		CHK	CT HYRB	09/29/95	
DIMENSIONS: mm		APVD	NAME		
TOLERANCES UNLESS OTHERWISE SPECIFIED:		PRODUCT SPEC	1 X 6 PLG ASY KEY A-C3		
0 PLC	± -	APPLICATION SPEC	-		
1 PLC	± 0.3	WEIGHT	SIZE	CAGE CODE	DRAWING NO
2 PLC	± -	MATERIAL	A2	00779	C=184060
3 PLC	± -	FINISH	RESTRICTED TO		
4 PLC	± -	CUSTOMER DRAWING	-		
ANGLES	#° -	SCALE	4:1	SHEET	1 of 1
		REV	C1		