

NOTES:

1.0 ELECTRICAL SPECIFICATIONS:

- 1.1 FREQUENCY RANGE: 2.0 to 18.0 GHz
- 1.2 FREQ. SENSITIVITY:  $\pm 0.65\text{dB}$
- 1.3 VSWR (MAX): 1.50:1
- 1.4 INSERTION LOSS: 1.00dB (EXCLUDING COUP. LOSS)
- 1.5 DIRECTIVITY:
  - 2 to 18 GHz: 12dB MIN.
- 1.6 POWER: SEE TABLE
- 1.7 RF IMPEDANCE: 50 OHMS
- 1.8 COUPLING (MEASURED WITH RESPECT TO OUTPUT)
  - SEE TABLE
- 1.9 WEIGHT (MAX.): 7.0 oz.

2.0 FINISHING:

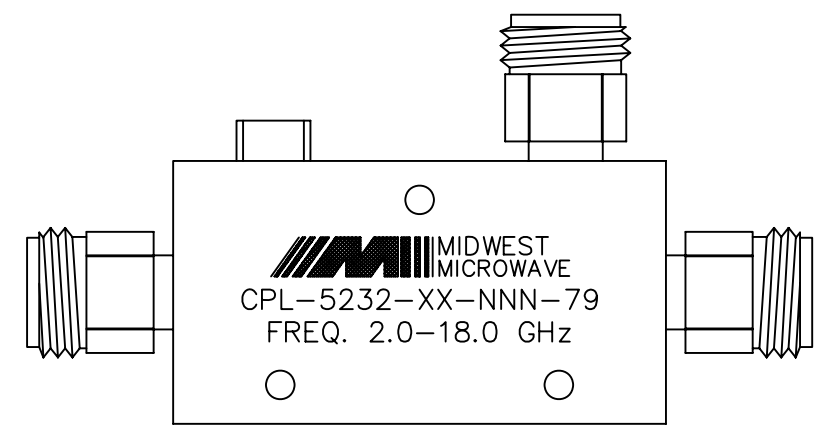
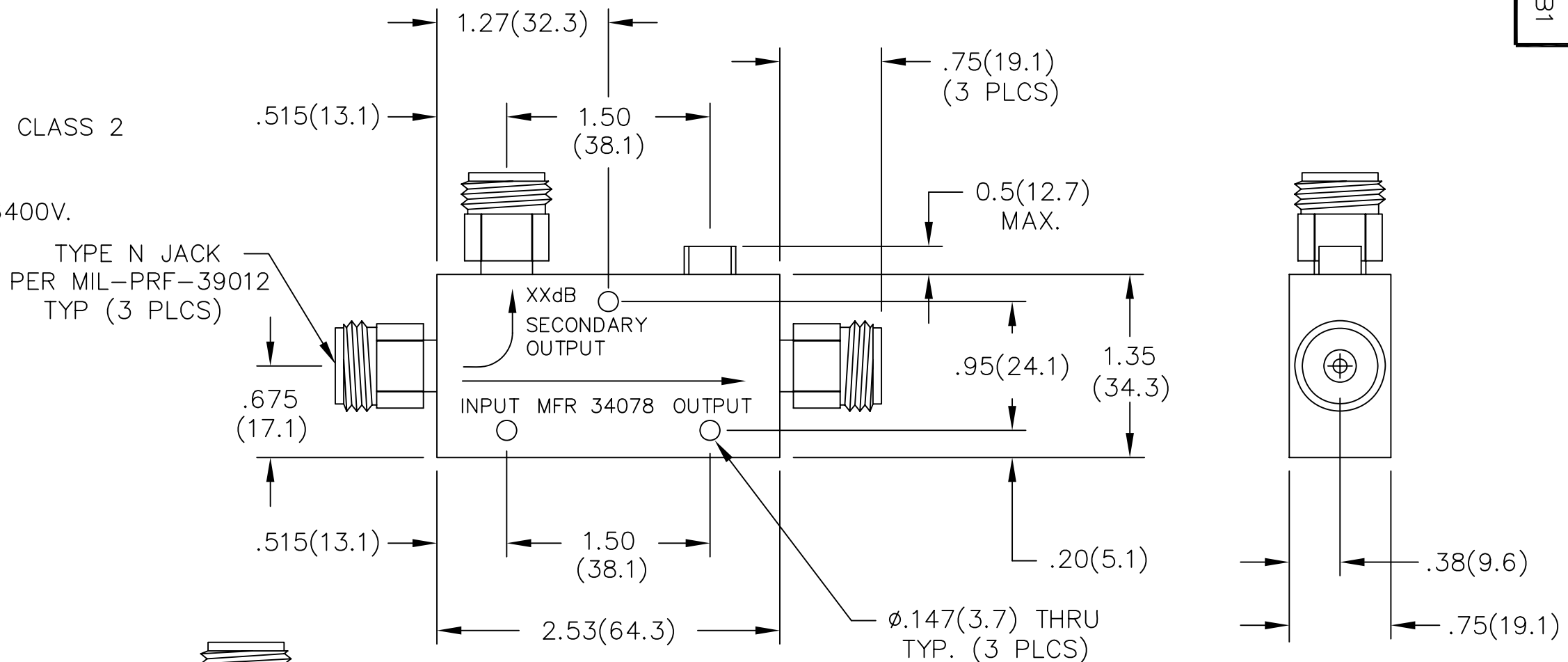
- 2.1 GREY OVER MIL-E-15090 TYPE II, CLASS 2  
OVER MIL-C-5541 CLASS 3A  
MEETS MIL-F-14072  
MEETS MIL-E-5400 AND MIL-E-16400V.
- 2.2 MARK UNIT AS SHOWN.  
REF: SLK-08029-82-[08-11]

3.0 DIMENSIONS IN PARENTHESIS ARE IN MILLIMETERS.

MIDWEST MODEL NUMBER CPL-5232-XX-NNN-79	NOMINAL COUPLING	POWER(WATTS)		
		INPUT	REF	PEAK
CPL-5232-06-NNN-79	6 $\pm 1.0\text{dB}$	50	10	3000
CPL-5232-10-NNN-79	10 $\pm 1.0\text{dB}$	50	10	3000
CPL-5232-16-NNN-79	16 $\pm 1.0\text{dB}$	50	40	3000
CPL-5232-20-NNN-79	20 $\pm 1.0\text{dB}$	50	50	3000

MODEL NUMBER  
CPL-5232-XX-NNN-79

REV.  
B1



BACKSIDE MARKING

UNLESS OTHERWISE NOTED DIMENSIONS ARE IN INCHES AND TOLERANCES ARE:		FSCM NO. <b>34078</b>		<b>MIDWEST MICROWAVE</b>	
3 PLACE DECIMALS $\pm .005$		NOTICE: The information contained in this drawing is proprietary and must not be used without the permission of Midwest Microwave		TITLE DIRECTIONAL COUPLER	
2 PLACE DECIMALS $\pm .02$					
FRACTIONS $\pm 1/64$		DRAWN/DATE J.VERNON 1/31/97		ENG./DATE J.O'NEIL 2/5/97	
PARALLELITY: T.I.R. _____		CHECKED/DATE		APPROVED/DATE	
FLATNESS: T.I.R. _____		DRAWING NUMBER CPL-5232-XX-NNN-79			
CONCENTRICITY: T.I.R. _____		SCALE: 2=1 SHEET 1 of 1			
ANGLES AND PERPENDICULARITY: $\pm 1'$					

REV.	DESCRIPTION	DATE
-	RELEASED	2/5/97
A	ECN 15966	4/29/97
B	ECN 16439	1/20/98
B1	ADDED TITLEBLOCK	4/25/05