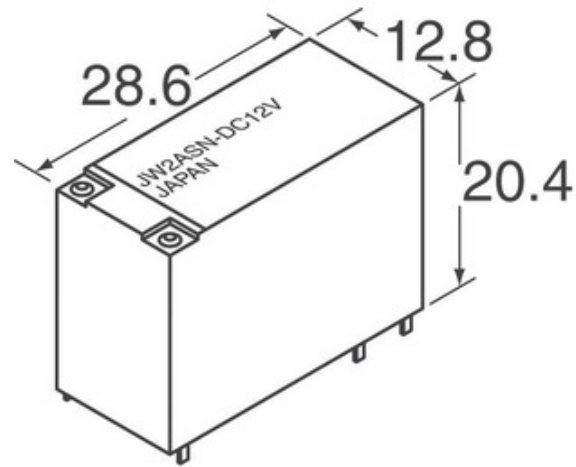


Panasonic

Panasonic

JW1AFSN-DC36V-F

Part Number: JW1AFSN-DC36V-F
 Manufacturer/Brand: Panasonic
 Product description: JW RELAY 1 FORM A 36V 10A
 Datasheets: JW1AFSN-DC36V-F.pdf
 RoHS Status: Lead free / RoHS Compliant
 Stock Condition: 38069 pcs stock
 Ship From: Hong Kong
 Shipment Way: DHL/Fedex/TNT/UPS/EMS



REQUEST FOR QUOTATION

Image may be representation. See specifications for product details.

Specifications of JW1AFSN-DC36V-F

| | |
|----------------------------------|----------------------------|
| PART NUMBER | JW1AFSN-DC36V-F |
| MANUFACTURER | Panasonic |
| DESCRIPTION | JW RELAY 1 FORM A 36V 10A |
| LEAD FREE STATUS / ROHS STATUS | Lead free / RoHS Compliant |
| QUANTITY AVAILABLE | 38069 pcs |
| DATA SHEET | JW1AFSN-DC36V-F.pdf |
| SERIES | * |
| MOISTURE SENSITIVITY LEVEL (MSL) | 1 (Unlimited) |
| LEAD FREE STATUS / ROHS STATUS | Lead free / RoHS Compliant |
| DETAILED DESCRIPTION | Relay Coil |

Related Tags

| | | |
|--|---|--|
| Panasonic JW1AFSN-DC36V-F | JW1AFSN-DC36V-F Distributor | JW1AFSN-DC36V-F Supplier |
| JW1AFSN-DC36V-F Price | JW1AFSN-DC36V-F Pictures | JW1AFSN-DC36V-F Image |
| JW1AFSN-DC36V-F PDF Datasheet | JW1AFSN-DC36V-F Download Datasheet | JW1AFSN-DC36V-F Datasheet |
| JW1AFSN-DC36V-F Stock | Buy JW1AFSN-DC36V-F | Buy Panasonic JW1AFSN-DC36V-F |
| Panasonic JW1AFSN-DC36V-F | Panasonic Supplier | Panasonic Distributor |
| Panasonic JW1AFSN-DC36V-F | Panasonic - Consumer Division JW1AFSN-DC36V-F | Panasonic - Consumer Electronics Corp. JW1AFSN-DC36V-F |
| Panasonic Battery Group JW1AFSN-DC36V-F | Panasonic Electric Works - ACSD JW1AFSN-DC36V-F | Panasonic Electronic Components - Semiconductor Pr JW1AFSN-DC36V-F |
| Panasonic - ATG JW1AFSN-DC36V-F | Panasonic - BSG JW1AFSN-DC36V-F | Panasonic - DTG JW1AFSN-DC36V-F |
| Panasonic Electric Works JW1AFSN-DC36V-F | Panasonic Electronic Components JW1AFSN-DC36V-F | Panasonic Industrial Automation Sales JW1AFSN-DC36V-F |
| Panasonic Semiconductor JW1AFSN-DC36V-F | | |

Related Products

| | |
|---|---|
| <p>JW1AFSN-DC5V-F Manufacturers: Panasonic Description: RELAY GEN PURPOSE SPST 10A 5V In stock: 28185 pcs RFQ</p> | <p>JW1AFSN-DC24V Manufacturers: Panasonic Description: RELAY GEN PURPOSE SPST 10A 24V In stock: 4181 pcs RFQ</p> |
| <p>JW1AFSN-DC24V-TUV-F Manufacturers: Panasonic Description: JW RELAY 1 FORM A 24V 10A In stock: 39266 pcs RFQ</p> | <p>JW1AFSN-DC48V-TV Manufacturers: Panasonic Description: RELAY GEN PURPOSE SPST 10A 48V In stock: 40394 pcs RFQ</p> |
| <p>JW1AFSN-DC24V-F Manufacturers: Panasonic Description: RELAY GEN PURPOSE SPST 10A 24V In stock: 28810 pcs RFQ</p> | <p>JW1AFSN-DC18V Manufacturers: Panasonic Description: RELAY GEN PURPOSE SPST 10A 18V In stock: 44608 pcs RFQ</p> |
| <p>JW1AFSN-DC24V-TV Manufacturers: Panasonic Description: RELAY GEN PURPOSE SPST 10A 24V In stock: 39989 pcs RFQ</p> | <p>JW1AFSN-DC48V-F Manufacturers: Panasonic Description: RELAY GEN PURPOSE SPST 10A 48V In stock: 31362 pcs RFQ</p> |
| <p>JW1AFSN-DC24V-TV-F Manufacturers: Panasonic Description: JW RELAY 1 FORM A 24V 10A In stock: 33848 pcs RFQ</p> | <p>JW1AFSN-DC48V-TV-F Manufacturers: Panasonic Description: JW RELAY 1 FORM A 48V 10A In stock: 37571 pcs RFQ</p> |
| <p>JW1AFSN-DC5V Manufacturers: Panasonic Description: RELAY GEN PURPOSE SPST 10A 5V In stock: 3779 pcs RFQ</p> | <p>JW1AFSN-DC48V Manufacturers: Panasonic Description: RELAY GEN PURPOSE SPST 10A 48V In stock: 40277 pcs RFQ</p> |