

**Honeywell**

Honeywell Sensing and Productivity Solutions

### AML32FBD4AC

Part Number: [AML32FBD4AC](#)  
 Manufacturer/Brand: [Honeywell Sensing and Productivity Solutions](#)  
 Product description: [SWITCH PUSH DPST-NO 10A 125V](#)  
 Datasheets:  
[PDF 1.AML32FBD4AC.pdf](#)  
[PDF 2.AML32FBD4AC.pdf](#)  
[PDF 3.AML32FBD4AC.pdf](#)  
[PDF 4.AML32FBD4AC.pdf](#)  
 RoHS Status: Lead free / RoHS Compliant  
 Stock Condition: 7069 pcs stock  
 Ship From: Hong Kong  
 Shipment Way: DHL/Fedex/TNT/UPS/EMS

**REQUEST FOR QUOTATION**

**Productivity Solutions**

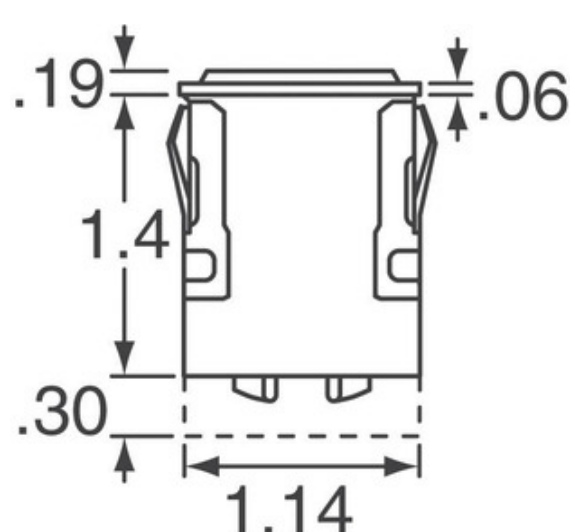


Image may be representation. See specifications for product details.

#### Specifications of AML32FBD4AC

PART NUMBER	AML32FBD4AC
MANUFACTURER	Honeywell Sensing and Productivity Solutions
DESCRIPTION	SWITCH PUSH DPST-NO 10A 125V
LEAD FREE STATUS / ROHS STATUS	Lead free / RoHS Compliant
QUANTITY AVAILABLE	7069 pcs
DATA SHEET	<a href="#">PDF 1.AML32FBD4AC.pdf</a> <a href="#">PDF 2.AML32FBD4AC.pdf</a> <a href="#">PDF 3.AML32FBD4AC.pdf</a> <a href="#">PDF 4.AML32FBD4AC.pdf</a>
VOLTAGE RATING - DC	30V
VOLTAGE RATING - AC	125V
TYPE	Standard, Illuminated
TERMINATION STYLE	Solder, Quick Connect - 0.187" (4.7mm)
SWITCH FUNCTION	Off-Mom
SERIES	AML32
PANEL CUTOUT DIMENSIONS	Rectangular - 29.00mm x 19.00mm
PACKAGING	Bulk
OPERATING TEMPERATURE	-
MOUNTING TYPE	Panel Mount, Snap-In
MOISTURE SENSITIVITY LEVEL (MSL)	1 (Unlimited)
MECHANICAL LIFE	25,000 Cycles
LEAD FREE STATUS / ROHS STATUS	Lead free / RoHS Compliant
INGRESS PROTECTION	-
ILLUMINATION VOLTAGE (NOMINAL)	-
ILLUMINATION TYPE, COLOR	-
FEATURES	-
ELECTRICAL LIFE	25,000 Cycles
DETAILED DESCRIPTION	Pushbutton Switch DPST-NO (DM) Standard, Illuminated Panel Mount, Snap-In
CURRENT RATING	10A (AC/DC)
COLOR - ACTUATOR/CAP	-
CIRCUIT	DPST-NO (DM)
ACTUATOR TYPE	Rectangular, Button (Not Included)

#### Related Tags

Honeywell Sensing and Productivity Solutions AML32FBD4AC	AML32FBD4AC Distributor	AML32FBD4AC Supplier
AML32FBD4AC Price	AML32FBD4AC Pictures	AML32FBD4AC Image
AML32FBD4AC PDF Datasheet	AML32FBD4AC Download Datasheet	AML32FBD4AC Datasheet
AML32FBD4AC Stock	Buy AML32FBD4AC	Buy Honeywell Sensing and Productivity Solutions AML32FBD4AC
Honeywell Sensing and Productivity Solutions AML32FBD4AC	Honeywell Sensing and Productivity Solutions Supplier	Honeywell Sensing and Productivity Solutions Distributor
Honeywell Sensing and Productivity Solutions AML32FBD4AC	HONEYWELL AML32FBD4AC	Honeywell Sensing and Control EMEA AML32FBD4AC
Honeywell Sensing and Productivity Solutions T&M AML32FBD4AC		

#### Related Products

<p><b>AML31LBE4AC</b>                  Manufacturers: Honeywell Sensing and Productivity Solutions                  Description: SWITCH PUSH DPST-NO 10A 125V                  In stock: 3490 pcs  <a href="#">RFQ</a></p>	<p><b>AML32FBD4AD</b>                  Manufacturers: Honeywell Sensing and Productivity Solutions                  Description: SWITCH PUSH DPST-NO 10A 125V                  In stock: 2400 pcs  <a href="#">RFQ</a></p>
<p><b>AML32FBK4AC</b>                  Manufacturers: Honeywell Sensing and Productivity Solutions                  Description: SWITCH PUSH DPST-NO 10A 125V                  In stock: 2695 pcs  <a href="#">RFQ</a></p>	<p><b>AML32FBB4AC</b>                  Manufacturers: Honeywell Sensing and Productivity Solutions                  Description: SWITCH PUSH DPST-NO 10A 125V                  In stock: 2624 pcs  <a href="#">RFQ</a></p>
<p><b>AML32FBC7AD</b>                  Manufacturers: Honeywell Sensing and Productivity Solutions                  Description: SWITCH PUSH DPST-NO 10A 125V                  In stock: 2257 pcs  <a href="#">RFQ</a></p>	<p><b>AML32FBM4AC</b>                  Manufacturers: Honeywell Sensing and Productivity Solutions                  Description: SWITCH PUSH DPST-NO 10A 125V                  In stock: 6816 pcs  <a href="#">RFQ</a></p>
<p><b>AML32FBC4AD</b>                  Manufacturers: Honeywell Sensing and Productivity Solutions                  Description: SWITCH PUSH DPST-NO 10A 125V                  In stock: 2047 pcs  <a href="#">RFQ</a></p>	<p><b>AML32FBK4AD</b>                  Manufacturers: Honeywell Sensing and Productivity Solutions                  Description: SWITCH PUSH DPST-NO 10A 125V                  In stock: 2089 pcs  <a href="#">RFQ</a></p>
<p><b>AML32FBB4AD</b>                  Manufacturers: Honeywell Sensing and Productivity Solutions                  Description: SWITCH PUSH DPST-NO 10A 125V                  In stock: 1956 pcs  <a href="#">RFQ</a></p>	<p><b>AML32FBB7AD</b>                  Manufacturers: Honeywell Sensing and Productivity Solutions                  Description: SWITCH PUSH DPST-NO 10A 125V                  In stock: 2314 pcs  <a href="#">RFQ</a></p>
<p><b>AML32FBL7AD</b>                  Manufacturers: Honeywell Sensing and Productivity Solutions                  Description: SWITCH PUSH DPST-NO 10A 125V                  In stock: 2638 pcs  <a href="#">RFQ</a></p>	<p><b>AML32FBK7AD</b>                  Manufacturers: Honeywell Sensing and Productivity Solutions                  Description: SWITCH PUSH DPST-NO 10A 125V                  In stock: 2623 pcs  <a href="#">RFQ</a></p>

