

Panasonic

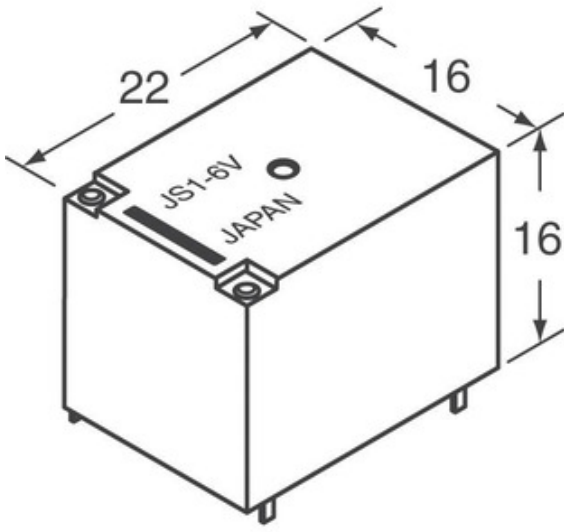
Panasonic

JS1A-F-6V-F

Part Number:	JS1A-F-6V-F
Manufacturer/Brand:	Panasonic
Product description:	RELAY GEN PURPOSE SPST 10A 6V
Datasheets:	JS1A-F-6V-F.pdf
RoHS Status:	Lead free / RoHS Compliant
Stock Condition:	60475 pcs stock
Ship From:	Hong Kong
Shipment Way:	DHL/Fedex/TNT/UPS/EMS

REQUEST FOR QUOTATION

Image may be representation. See specifications for product details.



Specifications of JS1A-F-6V-F

PART NUMBER	JS1A-F-6V-F
MANUFACTURER	Panasonic
DESCRIPTION	RELAY GEN PURPOSE SPST 10A 6V
LEAD FREE STATUS / ROHS STATUS	Lead free / RoHS Compliant
QUANTITY AVAILABLE	60475 pcs
DATA SHEET	JS1A-F-6V-F.pdf
TURN ON VOLTAGE (MAX)	4.2 VDC
TURN OFF VOLTAGE (MIN)	0.6 VDC
TERMINATION STYLE	PC Pin
SWITCHING VOLTAGE	250VAC, 100VDC - Max
SERIES	JS
RELEASE TIME	10ms
RELAY TYPE	General Purpose
PACKAGING	Bulk
OPERATING TEMPERATURE	-40°C ~ 105°C
OPERATE TIME	10ms
MOUNTING TYPE	Through Hole
MOISTURE SENSITIVITY LEVEL (MSL)	1 (Unlimited)
LEAD FREE STATUS / ROHS STATUS	Lead free / RoHS Compliant
FEATURES	Insulation - Class F, Sealed - Fully
DETAILED DESCRIPTION	General Purpose Relay SPST-NO (1 Form A) 6VDC Coil Through Hole
CONTACT RATING (CURRENT)	10A
CONTACT MATERIAL	Silver Tin Oxide (AgSnO)
CONTACT FORM	SPST-NO (1 Form A)
COIL VOLTAGE	6VDC
COIL TYPE	Non Latching
COIL RESISTANCE	100 Ohms
COIL POWER	360 mW
COIL CURRENT	60.0mA

Related Tags

Panasonic JS1A-F-6V-F	JS1A-F-6V-F Distributor	JS1A-F-6V-F Supplier
JS1A-F-6V-F Price	JS1A-F-6V-F Pictures	JS1A-F-6V-F Image
JS1A-F-6V-F PDF Datasheet	JS1A-F-6V-F Download Datasheet	JS1A-F-6V-F Datasheet
JS1A-F-6V-F Stock	Buy JS1A-F-6V-F	Buy Panasonic JS1A-F-6V-F
Panasonic JS1A-F-6V-F	Panasonic Supplier	Panasonic Distributor
Panasonic JS1A-F-6V-F	Panasonic - Consumer Division JS1A-F-6V-F	Panasonic - Consumer Electronics Corp. JS1A-F-6V-F
Panasonic Battery Group JS1A-F-6V-F	Panasonic Electric Works - ACSD JS1A-F-6V-F	Panasonic Electronic Components - Semiconductor Pr JS1A-F-6V-F
Panasonic - ATG JS1A-F-6V-F	Panasonic - BSG JS1A-F-6V-F	Panasonic - DTG JS1A-F-6V-F
Panasonic Electric Works JS1A-F-6V-F	Panasonic Electronic Components JS1A-F-6V-F	Panasonic Industrial Automation Sales JS1A-F-6V-F
Panasonic Semiconductor JS1A-F-6V-F		

Related Products

<p>JS1AF-18V-F Manufacturers: Panasonic Description: RELAY GEN PURPOSE SPST 10A 18V In stock: 84954 pcs RFQ</p>	<p>JS1AF-24V Manufacturers: Panasonic Description: RELAY GEN PURPOSE SPST 10A 24V In stock: 3452 pcs RFQ</p>
<p>JS1A-F-5V-F Manufacturers: Panasonic Description: RELAY GEN PURPOSE SPST 10A 5V In stock: 51579 pcs RFQ</p>	<p>JS1A-F-9V-F Manufacturers: Panasonic Description: RELAY GEN PURPOSE SPST 10A 9V In stock: 84263 pcs RFQ</p>
<p>JS1A-F-18V-F Manufacturers: Panasonic Description: RELAY GEN PURPOSE SPST 10A 18V In stock: 63051 pcs RFQ</p>	<p>JS1A-F-48V-F Manufacturers: Panasonic Description: RELAY GEN PURPOSE SPST 10A 48V In stock: 42488 pcs RFQ</p>
<p>JS1A-F-24V-F Manufacturers: Panasonic Description: RELAY GEN PURPOSE SPST 10A 24V In stock: 83959 pcs RFQ</p>	<p>JS1AF-12V-F Manufacturers: Panasonic Description: RELAY GEN PURPOSE SPST 10A 12V In stock: 82807 pcs RFQ</p>
<p>JS1A-F-12V-F Manufacturers: Panasonic Description: RELAY GEN PURPOSE SPST 10A 12V In stock: 61006 pcs RFQ</p>	<p>JS1A-F-12V-F-6K Manufacturers: Panasonic Description: RELAY GEN PURPOSE SPST 10A 12V In stock: 46891 pcs RFQ</p>
<p>JS1AF-18V Manufacturers: Panasonic Description: RELAY GEN PURPOSE SPST 10A 18V In stock: 3483 pcs RFQ</p>	<p>JS1AF-12V Manufacturers: Panasonic Description: RELAY GEN PURPOSE SPST 10A 12V In stock: 6420 pcs RFQ</p>

