

Panasonic

Panasonic

AQS221FN2S

Part Number: [AQS221FN2S](#)
 Manufacturer/Brand: [Panasonic](#)
 Product description: SSR RELAY SPST-NO 60MA 0-40V
 Datasheets: [PDF AQS221FN2S.pdf](#)
 RoHs Status: Lead free / RoHS Compliant
 Stock Condition: 4720 pcs stock
 Ship From: Hong Kong
 Shipment Way: DHL/Fedex/TNT/UPS/EMS

REQUEST FOR QUOTATION

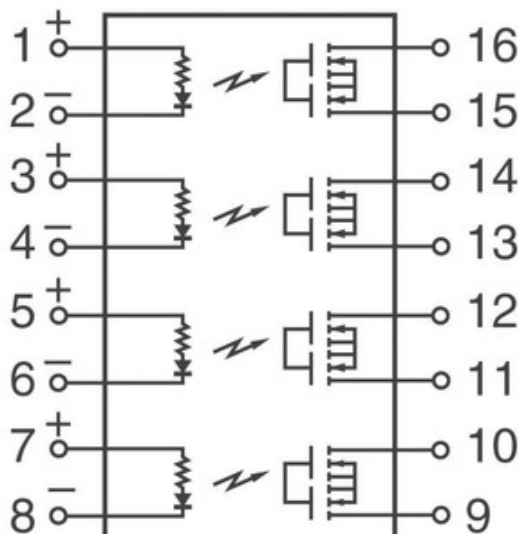


Image may be representation. See specifications for product details.

Specifications of AQS221FN2S

PART NUMBER	AQS221FN2S
MANUFACTURER	Panasonic
DESCRIPTION	SSR RELAY SPST-NO 60MA 0-40V
LEAD FREE STATUS / ROHS STATUS	Lead free / RoHS Compliant
QUANTITY AVAILABLE	4720 pcs
DATA SHEET	PDF AQS221FN2S.pdf
VOLTAGE - LOAD	0V ~ 40V
VOLTAGE - INPUT	1.3VDC
TERMINATION STYLE	Gull Wing
SUPPLIER DEVICE PACKAGE	16-SOP
SERIES	PhotoMOS™ AQS
PACKAGING	Tube
PACKAGE / CASE	16-SOIC (0.173", 4.40mm Width)
OUTPUT TYPE	AC, DC (RF)
OTHER NAMES	255-2666
ON-STATE RESISTANCE (MAX)	12.5 Ohms
MOUNTING TYPE	Surface Mount
MOISTURE SENSITIVITY LEVEL (MSL)	2A (4 Weeks)
LOAD CURRENT	60mA
LEAD FREE STATUS / ROHS STATUS	Lead free / RoHS Compliant
DETAILED DESCRIPTION	Solid State Relay SPST-NO (1 Form A) x 4 16-SOIC (0.173", 4.40mm Width)
CIRCUIT	SPST-NO (1 Form A) x 4

Related Tags

Panasonic AQS221FN2S	AQS221FN2S Distributor	AQS221FN2S Supplier
AQS221FN2S Price	AQS221FN2S Pictures	AQS221FN2S Image
AQS221FN2S PDF Datasheet	AQS221FN2S Download Datasheet	AQS221FN2S Datasheet
AQS221FN2S Stock	Buy AQS221FN2S	Buy Panasonic AQS221FN2S
Panasonic AQS221FN2S	Panasonic Supplier	Panasonic Distributor
Panasonic AQS221FN2S	Panasonic - Consumer Division AQS221FN2S	Panasonic - Consumer Electronics Corp. AQS221FN2S
Panasonic Battery Group AQS221FN2S	Panasonic Electric Works - ACSO AQS221FN2S	Panasonic Electronic Components - Semiconductor Pr AQS221FN2S
Panasonic - ATG AQS221FN2S	Panasonic - BSG AQS221FN2S	Panasonic - DTG AQS221FN2S
Panasonic Electric Works AQS221FN2S	Panasonic Electronic Components AQS221FN2S	Panasonic Industrial Automation Sales AQS221FN2S
Panasonic Semiconductor AQS221FN2S		

Related Products

<p>AQS210TS Manufacturers: Panasonic Description: SSR RELAY DPST-NO 100MA 0-350V In stock: 12115 pcs</p> <p>RFQ</p>	<p>AQS221FR2SZ Manufacturers: Panasonic Description: SSR RELAY SPST-NO 160MA 0-40V In stock: 5424 pcs</p> <p>RFQ</p>
<p>AQS210TSX Manufacturers: Panasonic Description: SSR RELAY DPST-NO 100MA 0-350V In stock: 3857 pcs</p> <p>RFQ</p>	<p>AQS210T2SX Manufacturers: Panasonic Description: SSR RELAY SPST-NO 120MA 0-350V In stock: 5424 pcs</p> <p>RFQ</p>
<p>AQS221N2S Manufacturers: Panasonic Description: SSR RELAY SPST-NO 60MA 0-40V In stock: 5136 pcs</p> <p>RFQ</p>	<p>AQS210PSZ Manufacturers: Panasonic Description: SSR RELAY SPST-NO 120MA 0-350V In stock: 4865 pcs</p> <p>RFQ</p>
<p>AQS221FN2SX Manufacturers: Panasonic Description: SSR RELAY SPST-NO 60MA 0-40V In stock: 5332 pcs</p> <p>RFQ</p>	<p>AQS221FR2S Manufacturers: Panasonic Description: SSR RELAY SPST-NO 160MA 0-40V In stock: 3027 pcs</p> <p>RFQ</p>
<p>AQS221FR2SX Manufacturers: Panasonic Description: SSR RELAY SPST-NO 160MA 0-40V In stock: 5736 pcs</p> <p>RFQ</p>	<p>AQS210T2SZ Manufacturers: Panasonic Description: SSR RELAY SPST-NO 120MA 0-350V In stock: 5001 pcs</p> <p>RFQ</p>
<p>AQS210T2S Manufacturers: Panasonic Description: SSR RELAY SPST-NO 120MA 0-350V In stock: 20359 pcs</p> <p>RFQ</p>	<p>AQS221FN2SZ Manufacturers: Panasonic Description: SSR RELAY SPST-NO 60MA 0-40V In stock: 5615 pcs</p> <p>RFQ</p>