

Panasonic

Panasonic

HJ4-L-DC24V-D-6

Part Number: HJ4-L-DC24V-D-6
 Manufacturer/Brand: Panasonic
 Product description: HJ 4FORM C DC 24V
 Datasheets:
 RoHs Status: Lead free / RoHS Compliant
 Stock Condition: 9249 pcs stock
 Ship From: Hong Kong
 Shipment Way: DHL/Fedex/TNT/UPS/EMS

REQUEST FOR QUOTATION

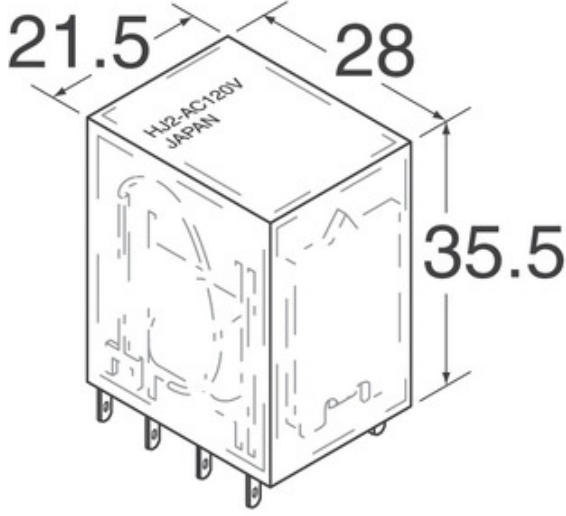


Image may be representation. See specifications for product details.

Specifications of HJ4-L-DC24V-D-6

PART NUMBER	HJ4-L-DC24V-D-6
MANUFACTURER	Panasonic
DESCRIPTION	HJ 4FORM C DC 24V
LEAD FREE STATUS / ROHS STATUS	Lead free / RoHS Compliant
QUANTITY AVAILABLE	9249 pcs
DATA SHEET	
SERIES	*
MOISTURE SENSITIVITY LEVEL (MSL)	1 (Unlimited)
LEAD FREE STATUS / ROHS STATUS	Lead free / RoHS Compliant
DETAILED DESCRIPTION	Relay Coil

Related Tags

Panasonic HJ4-L-DC24V-D-6	HJ4-L-DC24V-D-6 Distributor	HJ4-L-DC24V-D-6 Supplier
HJ4-L-DC24V-D-6 Price	HJ4-L-DC24V-D-6 Pictures	HJ4-L-DC24V-D-6 Image
HJ4-L-DC24V-D-6 PDF Datasheet	HJ4-L-DC24V-D-6 Download Datasheet	HJ4-L-DC24V-D-6 Datasheet
HJ4-L-DC24V-D-6 Stock	Buy HJ4-L-DC24V-D-6	Buy Panasonic HJ4-L-DC24V-D-6
Panasonic HJ4-L-DC24V-D-6	Panasonic Supplier	Panasonic Distributor
Panasonic HJ4-L-DC24V-D-6	Panasonic - Consumer Division HJ4-L-DC24V-D-6	Panasonic - Consumer Electronics Corp. HJ4-L-DC24V-D-6
Panasonic Battery Group HJ4-L-DC24V-D-6	Panasonic Electric Works - ACSD HJ4-L-DC24V-D-6	Panasonic Electronic Components - Semiconductor Pr HJ4-L-DC24V-D-6
Panasonic - ATG HJ4-L-DC24V-D-6	Panasonic - BSG HJ4-L-DC24V-D-6	Panasonic - DTG HJ4-L-DC24V-D-6
Panasonic Electric Works HJ4-L-DC24V-D-6	Panasonic Electronic Components HJ4-L-DC24V-D-6	Panasonic Industrial Automation Sales HJ4-L-DC24V-D-6
Panasonic Semiconductor HJ4-L-DC24V-D-6		

Related Products

<p>HJ4-L-DC48V-6 Manufacturers: Panasonic Description: RELAY GENERAL PURPOSE In stock: 6054 pcs RFQ</p>	<p>HJ4-L-DC12V-6 Manufacturers: Panasonic Description: RELAY GENERAL PURPOSE In stock: 5283 pcs RFQ</p>
<p>HJ4-L-DC24V-D Manufacturers: Panasonic Description: RELAY GENERAL PURPOSE In stock: 6763 pcs RFQ</p>	<p>HJ4-L-DC24V Manufacturers: Panasonic Description: RELAY GEN PURPOSE 4PDT 5A 24V In stock: 10307 pcs RFQ</p>
<p>HJ4-L-DC48V-D-6 Manufacturers: Panasonic Description: RELAY GENERAL PURPOSE In stock: 6998 pcs RFQ</p>	<p>HJ4-L-DC48V-D Manufacturers: Panasonic Description: RELAY GENERAL PURPOSE In stock: 4072 pcs RFQ</p>
<p>HJ4-L-DC48V Manufacturers: Panasonic Description: RELAY GEN PURPOSE 4PDT 5A 48V In stock: 11557 pcs RFQ</p>	<p>HJ4-L-DC12V-D Manufacturers: Panasonic Description: RELAY GENERAL PURPOSE In stock: 3044 pcs RFQ</p>
<p>HJ4-L-DC12V-D-6 Manufacturers: Panasonic Description: RELAY GENERAL PURPOSE In stock: 3953 pcs RFQ</p>	<p>HJ4-L-DC24V-6 Manufacturers: Panasonic Description: RELAY GENERAL PURPOSE In stock: 3786 pcs RFQ</p>
<p>HJ4-L-T-AC120V Manufacturers: Panasonic Description: RELAY GEN PURPOSE 4PDT 5A 120V In stock: 9348 pcs RFQ</p>	<p>HJ4-L-T-AC100V Manufacturers: Panasonic Description: RELAY GEN PURPOSE 4PDT 5A 100V In stock: 8903 pcs RFQ</p>