

Agastat Relays / TE Connectivity

### OAC-5

Part Number: [OAC-5](#)  
 Manufacturer/Brand: [Agastat Relays / TE Connectivity](#)  
 Product description: [AC OUTPUT MODULE 3A](#)  
 Datasheets: [PDF OAC-5.pdf](#)  
 RoHS Status: Lead free / RoHS Compliant  
 Stock Condition: 4639 pcs stock  
 Ship From: Hong Kong  
 Shipment Way: DHL/Fedex/TNT/UPS/EMS

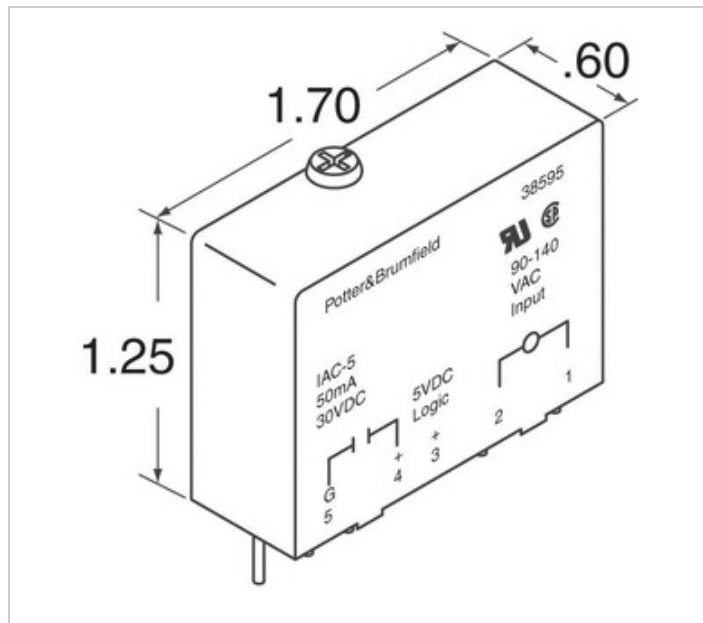


Image may be representation. See specifications for product details.

**REQUEST FOR QUOTATION**

#### Specifications of OAC-5

PART NUMBER	OAC-5
MANUFACTURER	Agastat Relays / TE Connectivity
DESCRIPTION	AC OUTPUT MODULE 3A
LEAD FREE STATUS / ROHS STATUS	Lead free / RoHS Compliant
QUANTITY AVAILABLE	4639 pcs
DATA SHEET	<a href="#">PDF OAC-5.pdf</a>
VOLTAGE - OUTPUT	24 ~ 280VAC
VOLTAGE - INPUT	5VDC
TYPE	AC Output Module
TURN ON TIME	8.33ms
TURN OFF TIME	8.33ms
STYLE	Standard
SERIES	OAC
OTHER NAMES	6-1393028-9 PB539
LEAD FREE STATUS / ROHS STATUS	Lead free / RoHS Compliant
FEATURES	Hold Down Screw
DETAILED DESCRIPTION	AC Output Module Output Module 3A 24 ~ 280VAC Output 5VDC Supply
CURRENT - OUTPUT	3A
CURRENT - INPUT	20mA
COLOR	Black

#### Related Tags

<a href="#">Agastat Relays / TE Connectivity OAC-5</a>	<a href="#">OAC-5 Distributor</a>	<a href="#">OAC-5 Supplier</a>
<a href="#">OAC-5 Price</a>	<a href="#">OAC-5 Pictures</a>	<a href="#">OAC-5 Image</a>
<a href="#">OAC-5 PDF Datasheet</a>	<a href="#">OAC-5 Download Datasheet</a>	<a href="#">OAC-5 Datasheet</a>
<a href="#">OAC-5 Stock</a>	<a href="#">Buy OAC-5</a>	<a href="#">Buy Agastat Relays / TE Connectivity OAC-5</a>
<a href="#">Agastat Relays / TE Connectivity OAC-5</a>	<a href="#">Agastat Relays / TE Connectivity Supplier</a>	<a href="#">Agastat Relays / TE Connectivity Distributor</a>
<a href="#">Agastat Relays / TE Connectivity OAC-5</a>	<a href="#">Axicom Relays / TE Connectivity OAC-5</a>	<a href="#">Buchanan Terminal Blocks / TE Connectivity OAC-5</a>
<a href="#">CGS Resistors / TE Connectivity OAC-5</a>	<a href="#">CII / TE Connectivity OAC-5</a>	<a href="#">Elcon Connectors / TE Connectivity OAC-5</a>
<a href="#">Holsworthy Resistors / TE Connectivity OAC-5</a>	<a href="#">Kilovac Relays / TE Connectivity OAC-5</a>	<a href="#">Neohm Resistors / TE Connectivity OAC-5</a>
<a href="#">OEG Relays / TE Connectivity OAC-5</a>	<a href="#">Products Unlimited Transformers &amp; Relays / TE Conn OAC-5</a>	<a href="#">Q-Cee's / TE Connectivity OAC-5</a>
<a href="#">Schrack Relays / TE Connectivity OAC-5</a>	<a href="#">Sigma Inductors / TE Connectivity OAC-5</a>	<a href="#">TE Connectivity's Agastat Relays OAC-5</a>
<a href="#">TE Connectivity's Axicom Relays OAC-5</a>	<a href="#">TE Connectivity's Buchanan Terminal Blocks OAC-5</a>	<a href="#">TE Connectivity's CGS Resistors OAC-5</a>
<a href="#">TE Connectivity's CII OAC-5</a>	<a href="#">TE Connectivity's Elcon Connectors OAC-5</a>	<a href="#">TE Connectivity's Holsworthy Resistors OAC-5</a>
<a href="#">TE Connectivity's Neohm Resistors OAC-5</a>	<a href="#">TE Connectivity's OEG Relays OAC-5</a>	<a href="#">TE Connectivity's Q-Cee's OAC-5</a>
<a href="#">TE Connectivity's Schrack Relays OAC-5</a>	<a href="#">TE Connectivity's Sigma Inductors OAC-5</a>	<a href="#">TE Connectivity's Products Unlimited Transformers OAC-5</a>
<a href="#">TE Connectivity's Kilovac Relays OAC-5</a>		

#### Related Products

 <b>OAC-24</b> Manufacturers: <a href="#">Agastat Relays / TE Connectivity</a> Description: <a href="#">AC OUTPUT MODULE 3A</a> In stock: 4371 pcs <a href="#">RFQ</a>	 <b>OAC24</b> Manufacturers: <a href="#">Crydom</a> Description: <a href="#">AC OUTPUT MODULE 3.5A</a> In stock: 2890 pcs <a href="#">RFQ</a>
 <b>OAC-5H</b> Manufacturers: <a href="#">Agastat Relays / TE Connectivity</a> Description: <a href="#">AC OUTPUT MODULE 5A</a> In stock: 4073 pcs <a href="#">RFQ</a>	 <b>OAC-5A</b> Manufacturers: <a href="#">Agastat Relays / TE Connectivity</a> Description: <a href="#">AC OUTPUT MODULE 3A</a> In stock: 4645 pcs <a href="#">RFQ</a>
 <b>OAC24A</b> Manufacturers: <a href="#">Crydom</a> Description: <a href="#">AC OUTPUT MODULE 3.5A</a> In stock: 3505 pcs <a href="#">RFQ</a>	 <b>OAC-24A</b> Manufacturers: <a href="#">Agastat Relays / TE Connectivity</a> Description: <a href="#">AC OUTPUT MODULE 3A</a> In stock: 8040 pcs <a href="#">RFQ</a>
 <b>OAC-15</b> Manufacturers: <a href="#">Agastat Relays / TE Connectivity</a> Description: <a href="#">AC OUTPUT MODULE 3A</a> In stock: 5767 pcs <a href="#">RFQ</a>	 <b>OAC24RN</b> Manufacturers: <a href="#">Crydom</a> Description: <a href="#">AC OUTPUT MODULE 3.5A</a> In stock: 2448 pcs <a href="#">RFQ</a>
 <b>OAC-15A</b> Manufacturers: <a href="#">Agastat Relays / TE Connectivity</a> Description: <a href="#">AC OUTPUT MODULE 3A</a> In stock: 4673 pcs <a href="#">RFQ</a>	 <b>OAC-24H</b> Manufacturers: <a href="#">Agastat Relays / TE Connectivity</a> Description: <a href="#">AC OUTPUT MODULE 5A</a> In stock: 5816 pcs <a href="#">RFQ</a>
 <b>OAC15A</b> Manufacturers: <a href="#">Crydom</a> Description: <a href="#">AC OUTPUT MODULE 3A</a> In stock: 3683 pcs <a href="#">RFQ</a>	 <b>OAC15</b> Manufacturers: <a href="#">Crydom</a> Description: <a href="#">AC OUTPUT MODULE 3A</a> In stock: 2489 pcs <a href="#">RFQ</a>