

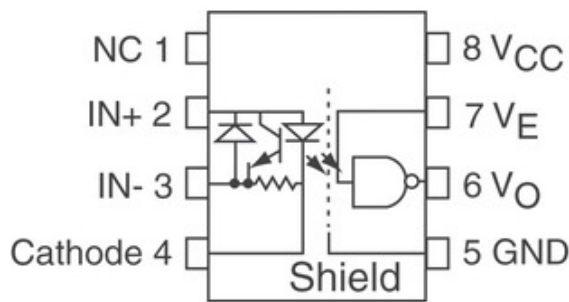


Avago Technologies (Broadcom Limited)

HCPL-2602-000E

Part Number:	HCPL-2602-000E
Manufacturer/Brand:	Avago Technologies (Broadcom Limited)
Product description:	OPTOISO 3.75KV LINE RX 8DIP
Datasheets:	HCPL-2602-000E.pdf
RoHS Status:	Lead free / RoHS Compliant
Stock Condition:	12950 pcs stock
Ship From:	Hong Kong
Shipment Way:	DHL/Fedex/TNT/UPS/EMS

Limited)



[REQUEST FOR QUOTATION](#)

Image may be representation. See specifications for product details.

Specifications of HCPL-2602-000E

PART NUMBER	HCPL-2602-000E
MANUFACTURER	Avago Technologies (Broadcom Limited)
DESCRIPTION	OPTOISO 3.75KV LINE RX 8DIP
LEAD FREE STATUS / ROHS STATUS	Lead free / RoHS Compliant
QUANTITY AVAILABLE	12950 pcs
DATA SHEET	HCPL-2602-000E.pdf
VOLTAGE - SUPPLY	4.5 V ~ 5.5 V
VOLTAGE - ISOLATION	3750Vrms
VOLTAGE - FORWARD (VF) (TYP)	2.3V
TYPE	Line Receiver
SUPPLIER DEVICE PACKAGE	8-DIP
SERIES	-
RISE / FALL TIME (TYP)	24ns, 10ns
PROPAGATION DELAY TPLH / TPHL (MAX)	75ns, 75ns
PACKAGING	Tube
PACKAGE / CASE	8-DIP (0.300", 7.62mm)
OTHER NAMES	516-1662-5 HCPL2602000E
OPERATING TEMPERATURE	-40°C ~ 85°C
NUMBER OF CHANNELS	1
MOUNTING TYPE	Through Hole
MOISTURE SENSITIVITY LEVEL (MSL)	1 (Unlimited)
LEAD FREE STATUS / ROHS STATUS	Lead free / RoHS Compliant
INPUT TYPE	AC, DC
DETAILED DESCRIPTION	Optoisolator Line Receiver 3750Vrms 1 Channel 8-DIP
CURRENT - OUTPUT / CHANNEL	50mA
CURRENT - DC FORWARD (IF) (MAX)	60mA
COMMON MODE TRANSIENT IMMUNITY (MIN)	1kV/μs
APPROVALS	CSA, UR

Related Tags

Avago Technologies (Broadcom Limited) HCPL-2602-000E	HCPL-2602-000E Distributor	HCPL-2602-000E Supplier
HCPL-2602-000E Price	HCPL-2602-000E Pictures	HCPL-2602-000E Image
HCPL-2602-000E PDF Datasheet	HCPL-2602-000E Download Datasheet	HCPL-2602-000E Datasheet
HCPL-2602-000E Stock	Buy HCPL-2602-000E	Buy Avago Technologies (Broadcom Limited) HCPL-2602-000E
Avago Technologies (Broadcom Limited) HCPL-2602-000E	Avago Technologies (Broadcom Limited) Supplier	Avago Technologies (Broadcom Limited) Distributor
Avago Technologies (Broadcom Limited) HCPL-2602-000E	Avago Technologies Limited HCPL-2602-000E	Avago Technologies US Inc. HCPL-2602-000E
Avago Technologies HCPL-2602-000E	Avago Technologies (Broadcom Limited) HCPL-2602-000E	Broadcom Limited HCPL-2602-000E

Related Products

<p>HCPL-2602#500 Manufacturers: Avago Technologies (Broadcom Limited) Description: OPTOISO 3.75KV LINE RX 8DIP GW In stock: 20295 pcs</p> <p>RFQ</p>	<p>HCPL-2601-520E Manufacturers: Avago Technologies (Broadcom Limited) Description: OPTOISO 5KV OPEN COLL 8DIP GW In stock: 113203 pcs</p> <p>RFQ</p>
<p>HCPL-260L#560 Manufacturers: Avago Technologies (Broadcom Limited) Description: OPTOISO 3.75KV OPEN COLL 8DIP GW In stock: 60975 pcs</p> <p>RFQ</p>	<p>HCPL-2601-360E Manufacturers: Avago Technologies (Broadcom Limited) Description: OPTOISO 3.75KV OPEN COLL 8DIP GW In stock: 100015 pcs</p> <p>RFQ</p>
<p>HCPL-2601-500E Manufacturers: Avago Technologies (Broadcom Limited) Description: OPTOISO 3.75KV OPEN COLL 8DIP GW In stock: 108347 pcs</p> <p>RFQ</p>	<p>HCPL-260L Manufacturers: Avago Technologies (Broadcom Limited) Description: OPTOISO 3.75KV OPEN COLL 8DIP In stock: 63639 pcs</p> <p>RFQ</p>
<p>HCPL-260L#060 Manufacturers: Avago Technologies (Broadcom Limited) Description: OPTOISO 3.75KV OPEN COLL 8DIP In stock: 67929 pcs</p> <p>RFQ</p>	<p>HCPL-2602 Manufacturers: Avago Technologies (Broadcom Limited) Description: OPTOISO 3.75KV LINE RX 8DIP In stock: 21777 pcs</p> <p>RFQ</p>
<p>HCPL-2602#300 Manufacturers: Avago Technologies (Broadcom Limited) Description: OPTOISO 3.75KV LINE RX 8DIP GW In stock: 22453 pcs</p> <p>RFQ</p>	<p>HCPL-260L#500 Manufacturers: Avago Technologies (Broadcom Limited) Description: OPTOISO 3.75KV OPEN COLL 8DIP GW In stock: 62484 pcs</p> <p>RFQ</p>
<p>HCPL-2602-300E Manufacturers: Avago Technologies (Broadcom Limited) Description: OPTOISO 3.75KV LINE RX 8DIP GW In stock: 14652 pcs</p> <p>RFQ</p>	<p>HCPL-2602-500E Manufacturers: Avago Technologies (Broadcom Limited) Description: OPTOISO 3.75KV LINE RX 8DIP GW In stock: 13391 pcs</p> <p>RFQ</p>